



SBP-400WMW

Outdoor Wall&Pole Mount



Key Features

- Color : White
- Material : Aluminum
- Product dimensions / weight : 449.3x200x263.1mm(17.69x7.87x10.36") / 4622g (10.19lb)

SBP-400WMW

Outdoor Wall&Pole Mount



Specifications

Environmental	
Certification	IP66, NEMA 4X
Mechanical	
Color	White
Material	Aluminum
RAL code	RAL9003
Product dimensions / weight	449.3x200x263.1mm(17.69x7.87x10.36") / 4622g (10.19lb)
Mount Screw size	T30
Max. load	20kg
Conduit hole	19.1mm(3/4")(M25), 2pcs
Supported products	- Adaptor : SBP-115PFA, SBP-115PA - Enclosure : SPO-8315, SPO-6011 ※ For further compatible models, please visit our website or use Toolbox

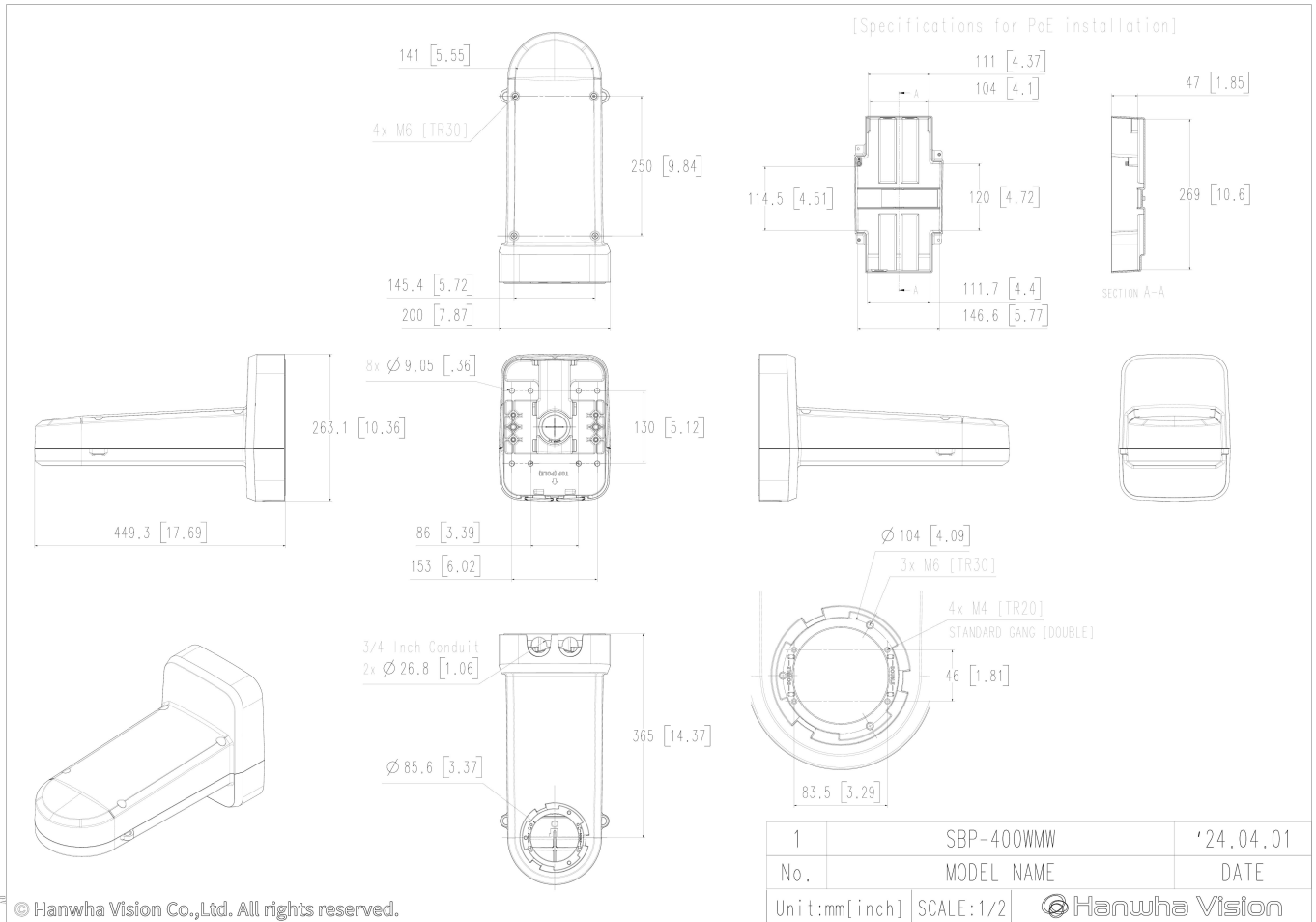
SBP-400WMW

Outdoor Wall&Pole Mount



CAD

Unit:mm [inch]



© Hanwha Vision Co.,Ltd. All rights reserved.