

# Instructions

**!** Before installing or servicing this device please read and take the 'Safety precautions' into account. These can be found on the backside of this installation guide.

**!** Conductors connected to the screw terminals must be fitted with a ring, crimped lugs, etc. so that reliance is not placed upon the screw alone.

Step	Remarks
1. DC output	Default output is 13.2 V.
2. Shield & earth	Connect shield and earth wire at <u>the same</u> time to the same terminal.
3. AC mains input	Make sure the AC mains input is still disconnected at this point.
4. Strain relief & cover	Use the available provisions to secure all cables.
5. Power ON	Make sure the protection cover is put back over the terminals.

# Wiring specifications

**!** Failure to comply with the wiring specifications may result in malfunction and/or dangerous situations.



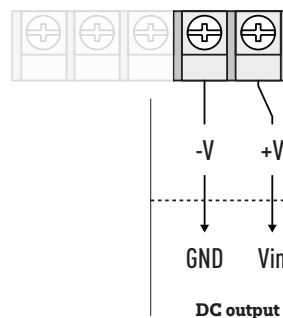
Purpose	Specification
A. AC mains input wiring	3 x 0.75 mm <sup>2</sup> , earth connection, max. 2 m
B. DC output wiring	2 x 0.5 mm <sup>2</sup> shielded, max. 5 m

## DC output

1

2 x 0.5 mm<sup>2</sup> shielded, max. 5 m 

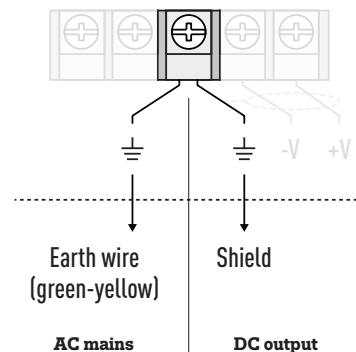
**i** Remove the protection cover from the terminals before wiring.



## Shield & earth

2

**!** The protective earth wire should be the last to disconnect in the event of an inadvertent pull on the power cord.

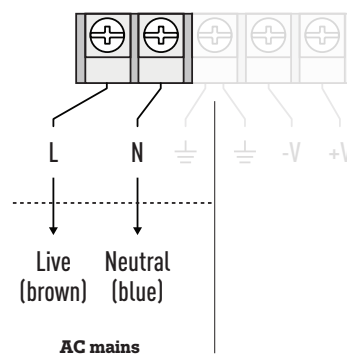


## AC mains input

3

3 x 0.75 mm<sup>2</sup>, earth connection, max. 2 m 

**!** Make sure that the AC mains (230-240 VAC) is NOT connected!



## Strain relief & cover

4

**!** Make sure all cables are properly secured and the protection cover is placed back over the terminals.

## Power ON

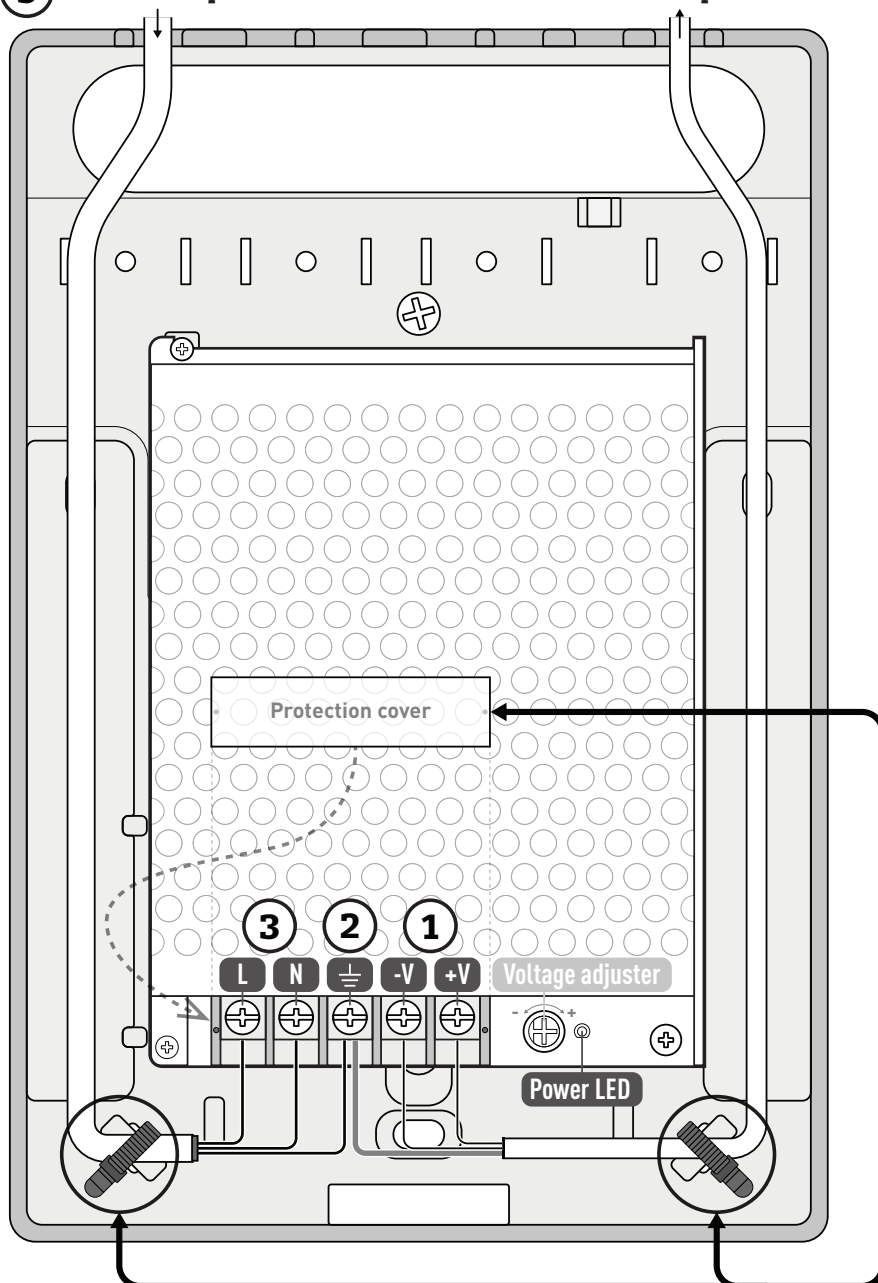
5

**!** Make sure to close the enclosure before connecting the AC mains.

**i** If powered devices are not working properly please check if the DC output is 13.2 V. The DC output can be adjusted with the Voltage adjuster.

## 5 AC mains input

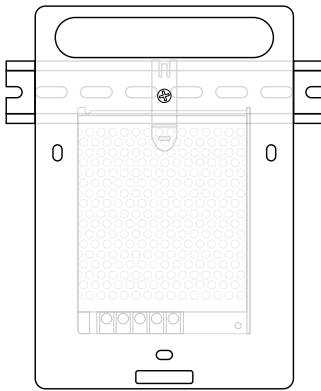
## DC output



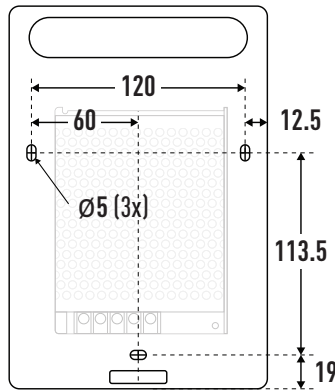
## Mounting

**i** All dimensions are in millimeters (mm).  
Preferred screws: 4.8 x 32 mm (DIN7981)

### DIN rail 35 x 7.5mm



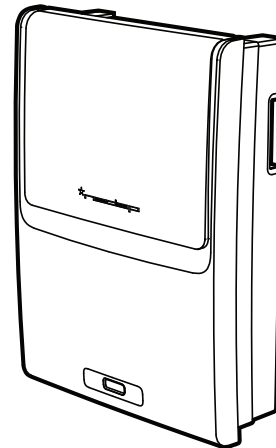
### Drill pattern



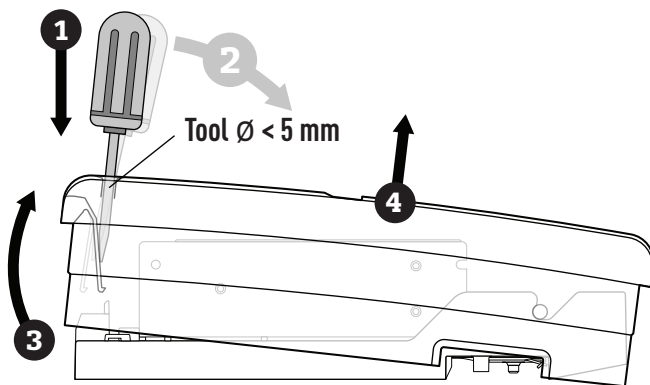
# AEOS Blue power supply 12V

## AP7021

## Installation guide



## Opening enclosure



## Technical specifications

### AP7021 (9982825)

Dimensions	230 x 165 x 65 mm (H x W x D)
Weight	Approx. 820 g
Enclosure	PC ABS
Temperature range	Operation: 0°C to 40°C Storage: -30°C to 65°C
Relative humidity	20% to 90% (non-condensing)
AC mains input	230-240 VAC, 50/60 Hz, 1.2 A
DC output	13.2 VDC SELV, 4.5 A
AC mains input wiring	3 x 0.75 mm <sup>2</sup> , earth connection, max. 2 m
DC output wiring	2 x 0.5 mm <sup>2</sup> shielded, max. 5 m
Safety	Class I

## General

### Safety precautions

This equipment should be accessible, installed, operated, serviced, and repaired by qualified personnel only. The installation and interconnection of this equipment to facility wiring and other equipment must be done by a competent, qualified craftsman who is familiar with applicable standards and codes governing the installation.

Installation methods, practices, or procedures that are unauthorised or done improperly are dangerous and could result in serious personal injury or damage to property and equipment

### Warning

**Power Supply:** Ensure the source voltage matches the voltage of power supply before turning ON the power.

**Power Cord and Plug:** To prevent an electric shock or fire, be sure to use the power cord as described below:

Maximum 4.5 m long, rated minimum 250 V, 10 A, Type SJT flexible cord. One end terminates with tandem blade (240V units) grounding, molded-on, attachment plug with a 10 A, 240 V 3-pole configuration. Cord and plug should have CE approval.

The socket-outlet shall be installed near the equipment and shall be easily accessible.

**Fixed Power Connection:** In the case of a fixed connection to the mains, a disconnect from mains must be available near the equipment.

**Protective Grounding:** The protective grounding terminal must be connected to ground to prevent an electric shock before turning ON the power.

**Fuse:** For continued protection against risk of fire replace fuses only with the same type and rating of fuse.

Before replacing the fuses, turn off the power and disconnect the power source. Do not use a different fuse or short-circuit the fuse holder.

**Do Not Operate Near Flammable Materials:** Do not operate the equipment in the presence of flammable liquids or vapors. Operation of any electrical equipment in such environment constitutes a safety hazard.

**Opening the covers:** Do not open the top cover when active since lethal voltages do exist inside. Always first disconnect from mains supply and make sure maintenance is safe.

**Do Not Modify:** To be sure of safety, do not modify or add anything to the equipment other than mentioned in this installation guide or indicated by NEDAP NV.

## Document information

Date	March 19, 2020
Version	5
Part number	5283507

This information is furnished for guidance, and with no guarantee as to its accuracy or completeness; its publication conveys no licence under any patent or other right, nor does the publisher assume liability for any consequence of its use; specifications and availability of goods mentioned in it are subject to change without notice; it is not to be reproduced in any way, in whole or in part, without the written consent of the publisher.

Nedap Security Management info@nedapsecurity.com  
Parallelweg 2 www.nedapsecurity.com  
NL-7141DC Groenlo +31 (0) 544 471 111  
The Netherlands

Install movie



## LED indication

### Power LED (internal)

Colour	Description
Green	DC output active

## Certifications

**CE** This equipment is tested and conforms with the essential requirements of Electromagnetic Compatibility Directive 2004/108/EC: EN50130-4 (2011), EN55022 (2010) + AC(2011); and Low Voltage Directive 2006/95/EG: EN60950-1 (2006) + A11(2009) + A1(2010) + A12(2011) + AC(2011) + A2(2013).

