

CABINET

User Manual

SBP-150NBW



Cabinet

User Manual

Copyright

©2024 Hanwha Vision Co., Ltd. All rights reserved.

Trademark

Each of trademarks herein is registered. The name of this product and other trademarks mentioned in this manual are the registered trademark of their respective company.

Restriction

Copyright of this document is reserved. Under no circumstances, this document shall be reproduced, distributed or changed, partially or wholly, without formal authorization.

Disclaimer

Hanwha Vision makes the best to verify the integrity and correctness of the contents in this document, but no formal guarantee shall be provided. Use of this document and the subsequent results shall be entirely on the user's own responsibility. Hanwha Vision reserves the right to change the contents of this document without prior notice.

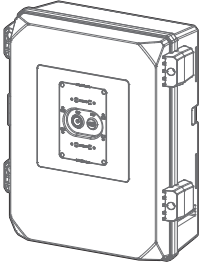
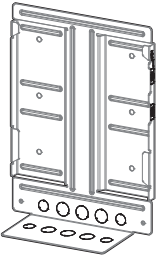
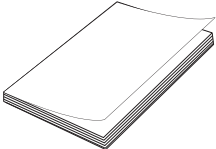
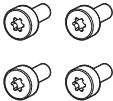
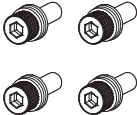
※ Design and specifications are subject to change without prior notice.

PRECAUTIONS FOR INSTALLATION AND OPERATION

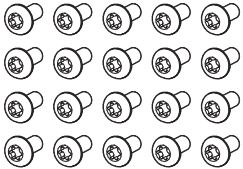
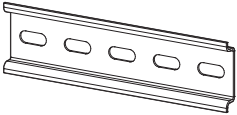



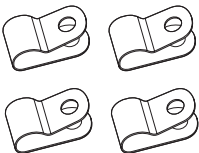

- Select an installation site that can hold at least 5 times the product's weight.
- Do not install the product in a location where chemicals or oil vapor may be present.
- Use appropriate tools during installation: excessive force or strong impact may damage the product.
- Use only the accessories or camera that are compatible with this product and comply with its technical specifications.
- Hanwha Vision do not guarantee the quality of third-party products purchased separately.
- When cleaning the product surface, use only a clean, soft cloth moistened lightly with isopropyl alcohol (IPA) or water.
- Do not install or remove the product while it rains or there is moisture remaining on the product exterior.
- This product must be installed by a qualified person in the electrical field.
During installation, be sure to follow local regulations of your country or region.

COMPONENT

As for each sales country, accessories are not the same.

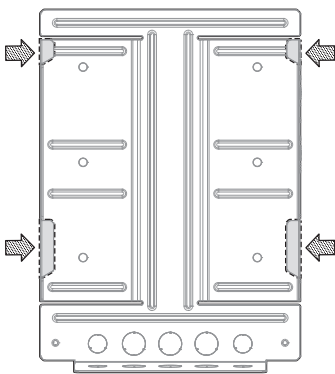
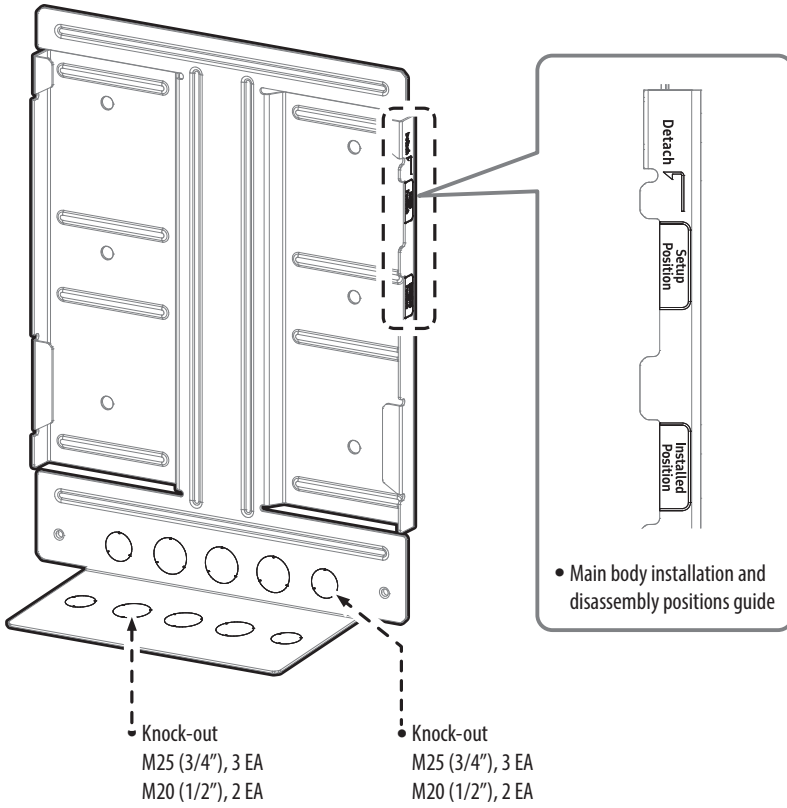
Appearance	Quantity	Description
	1	Main body
	1	Bracket for installing the main body
	1	User Manual
	4	T20, M4 X L10 For camera installation (Use the double gang)
	4	S6, M8 X L25 For mount installation

COMPONENT

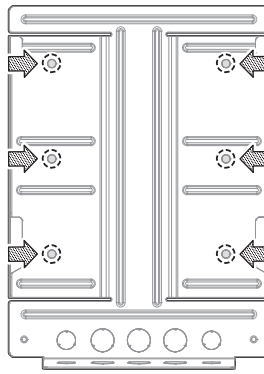
Appearance	Quantity	Description
	20	T20, M4 X L8 For installation of internal accessories
	1	DIN35 rail
	2	M20 cable bushing for $\varnothing 5$ to 6.5 ※ Spare part
	1	Cable adapter for $\varnothing 2$ to 6 ※ For a cable gland
	2	Cable clamp for $\sim \varnothing 10.6$
	4	Cable clamp for $\sim \varnothing 6.8$
	2	Cable clamp for $\sim \varnothing 3.3$

OVERVIEW

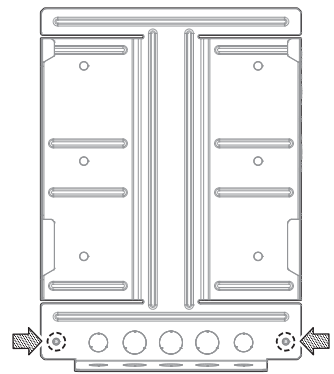
Bracket for installing the main body



• Main body assembly guide ring, 4 EA



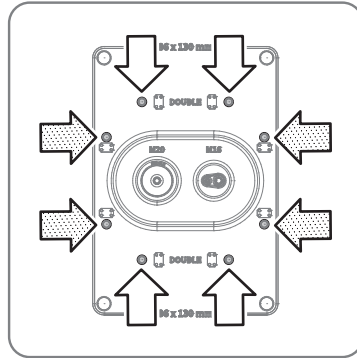
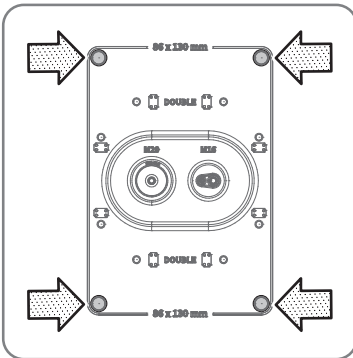
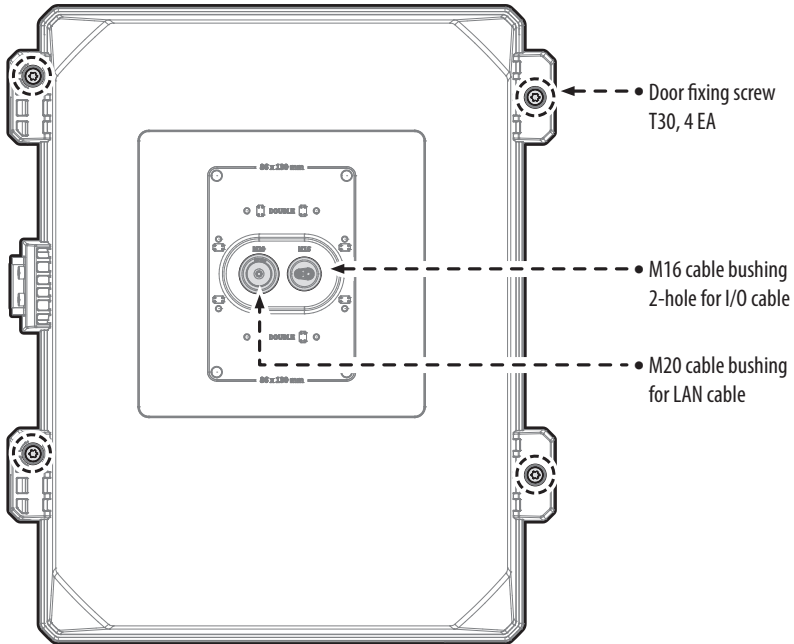
• Screw holes for wall and pole mounting $\varnothing 9$ mm (0.36"), 6 EA



• Main body fixing tab M6 (0.24"), 2 EA

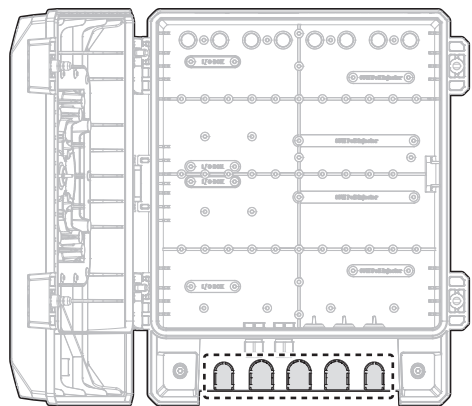
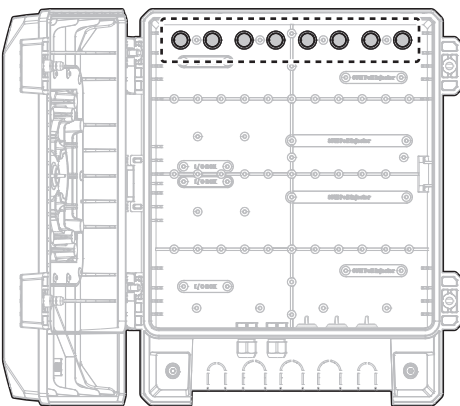
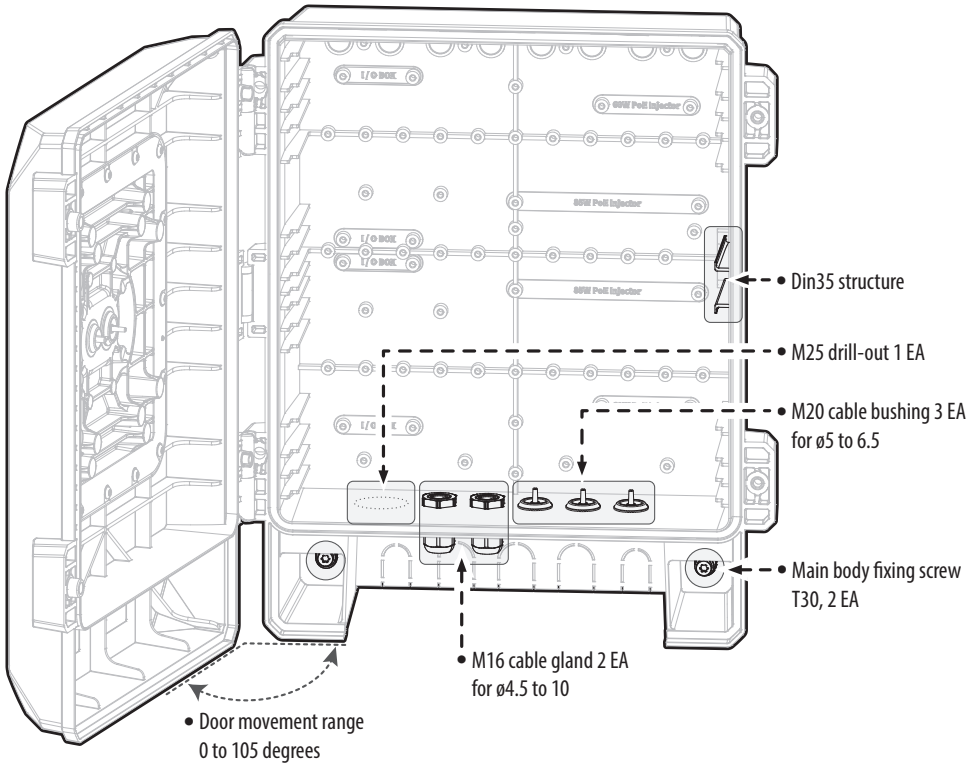
OVERVIEW

Front of main body



OVERVIEW

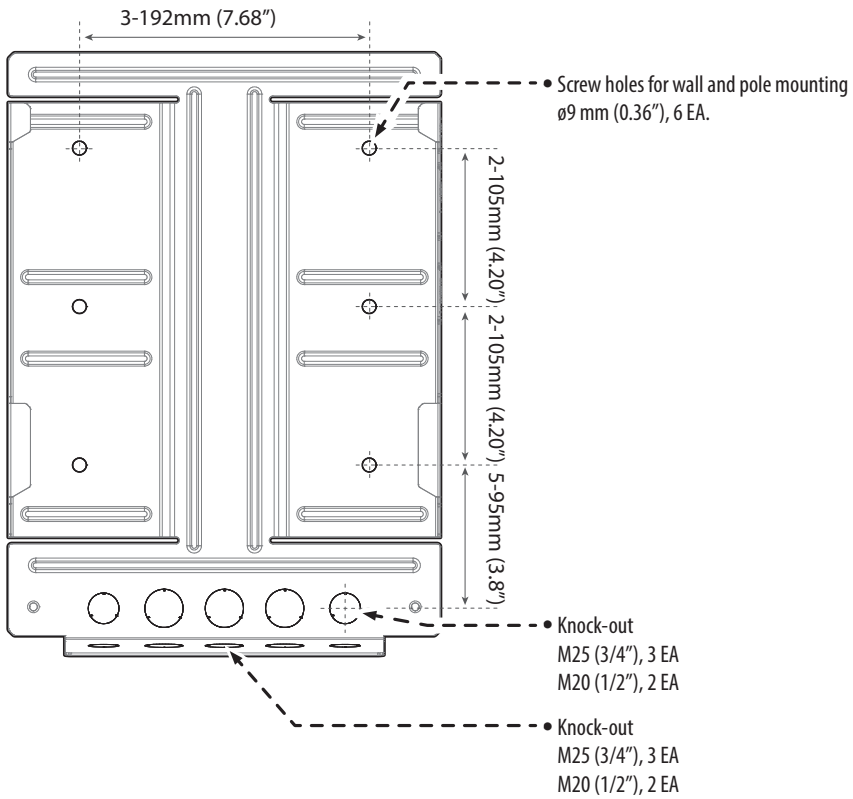
Inside the main body



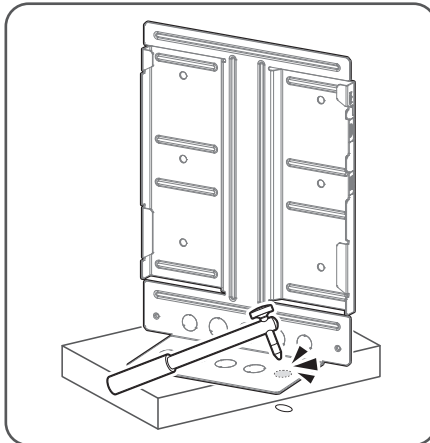
Do not touch the air vent to prevent damage.

INSTALLATION

1



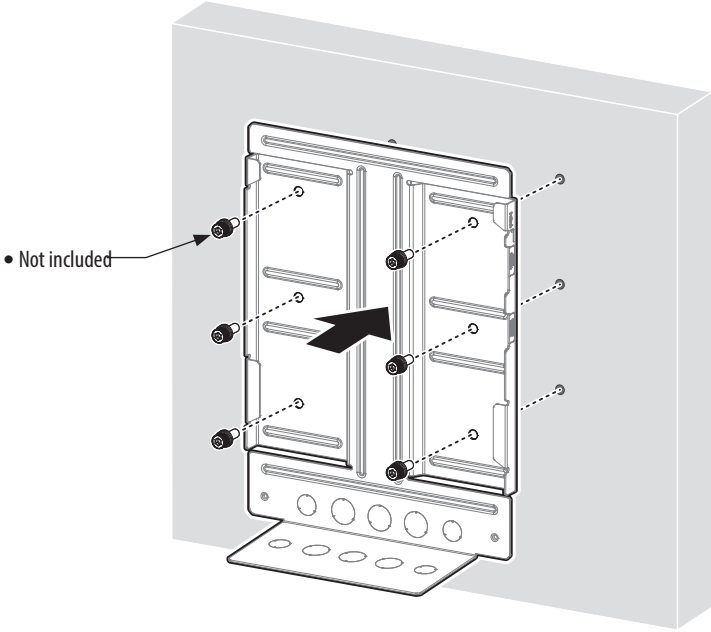
- Remove knock outs for floor or wall (as needed)



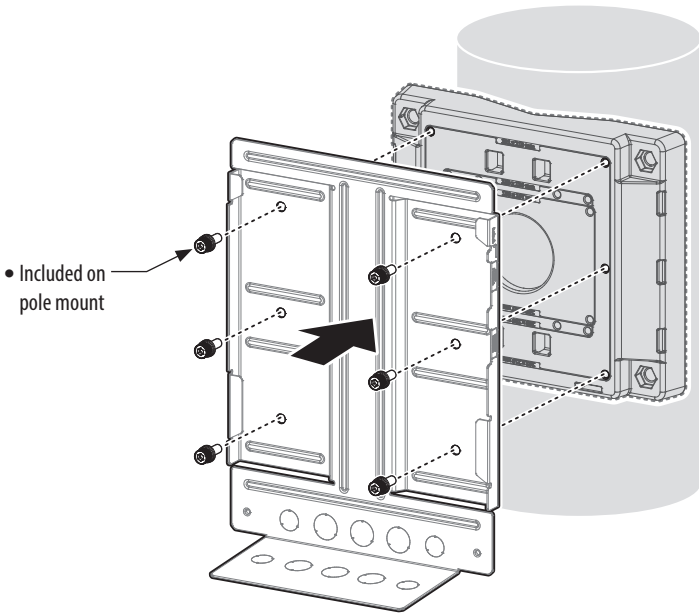
INSTALLATION

2

- Installing on wall

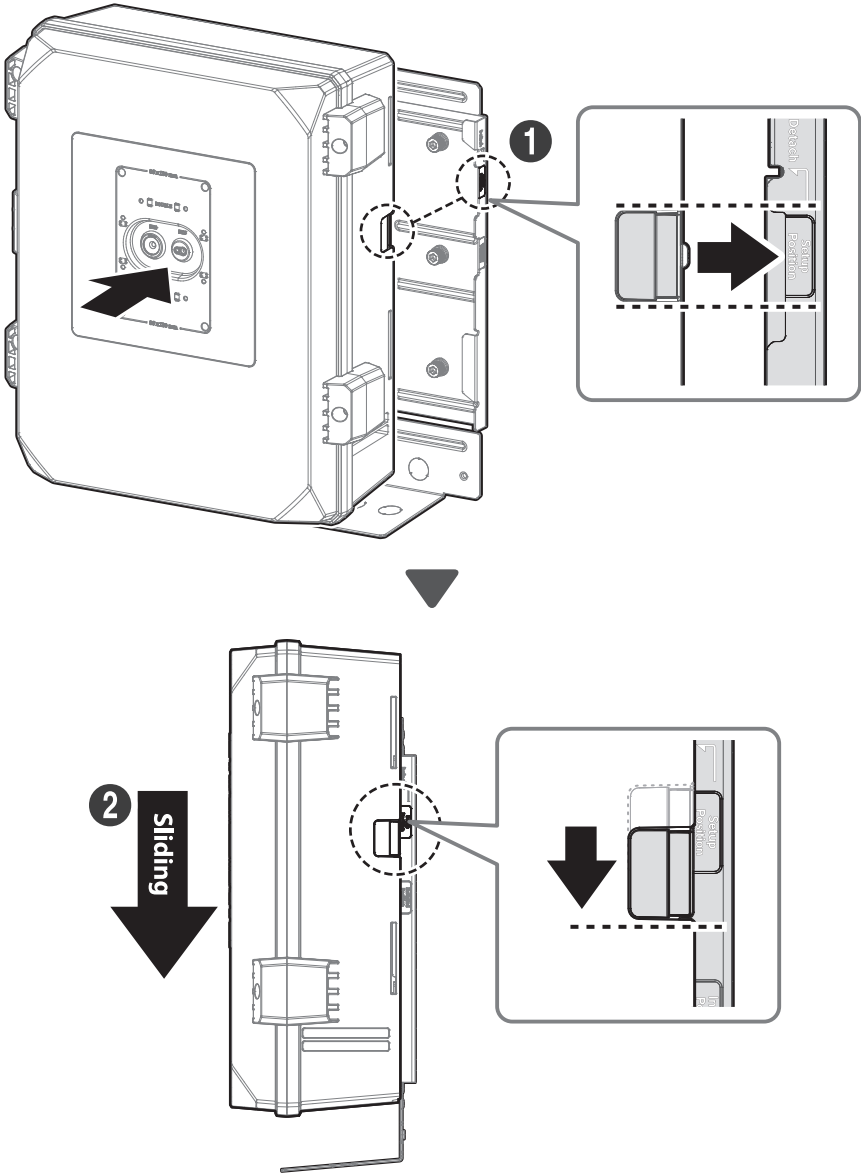


- Installing on pole mount



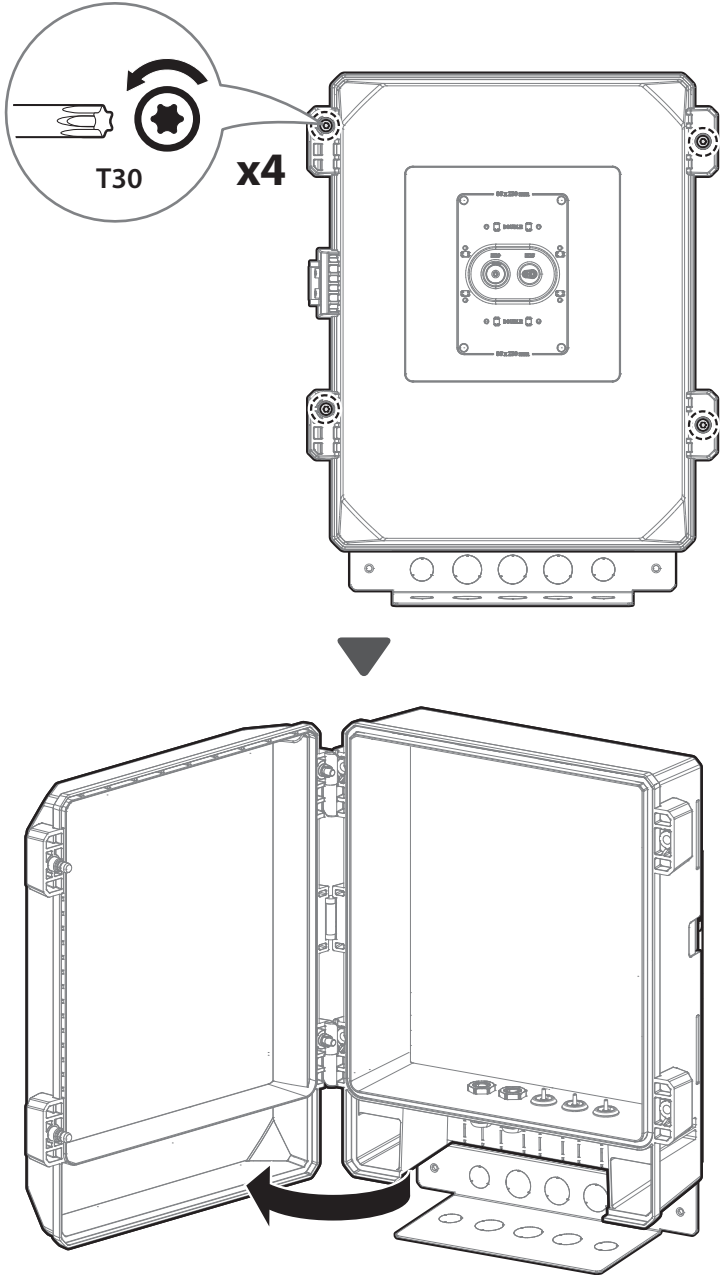
INSTALLATION

3



INSTALLATION

4

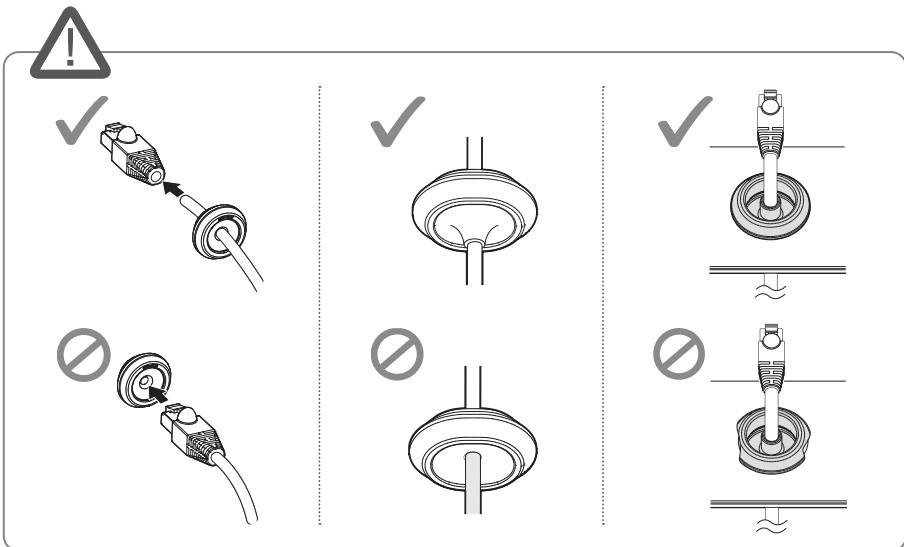
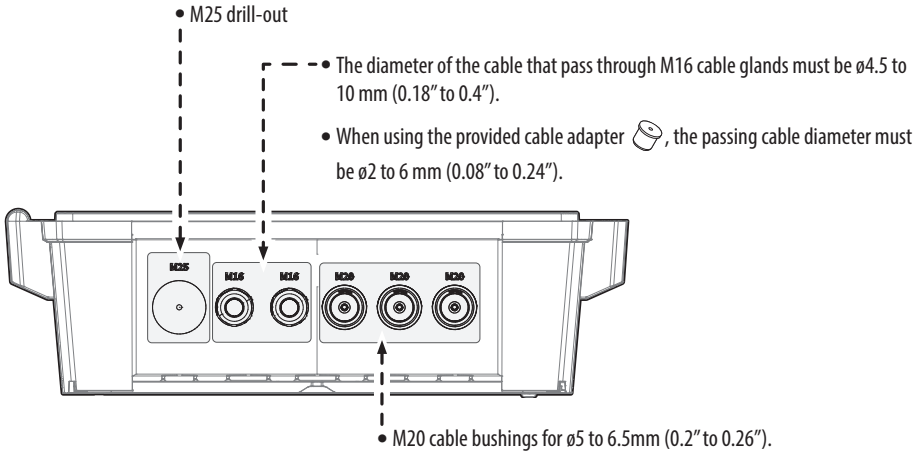


INSTALLATION

Cable connection

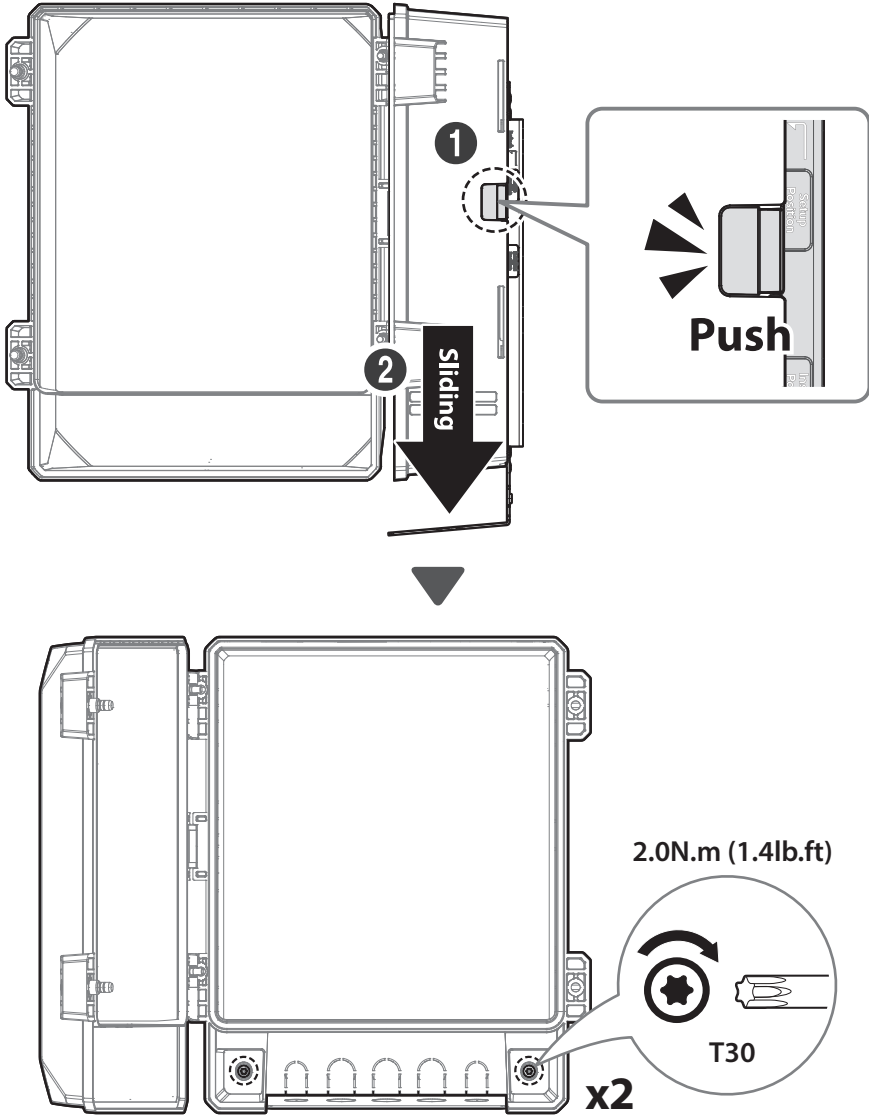


- Electrical cables must be installed by a qualified person in the electrical field. During installation, be sure to follow local regulations of your country or region.
- The power supply must be connected from the main supply after installation.
- Signal or power cables must be separated and tidied up in the cabinet. Be sure to use the provided cable clamps to organize cables.
- To maintain the IP rating and prevent moisture ingress, unused cable glands and bushings must be kept in factory condition.



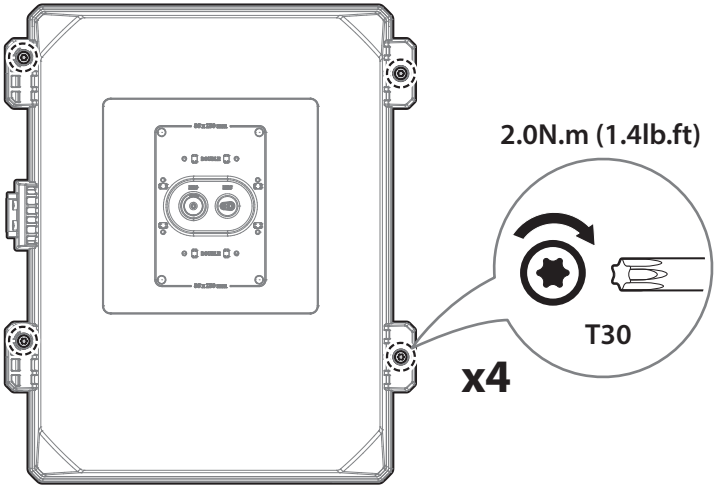
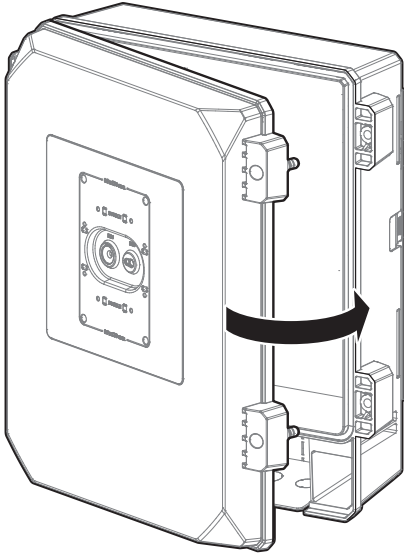
INSTALLATION

5



INSTALLATION

6

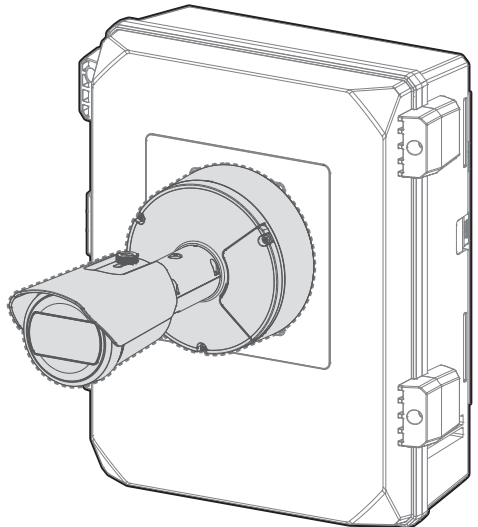
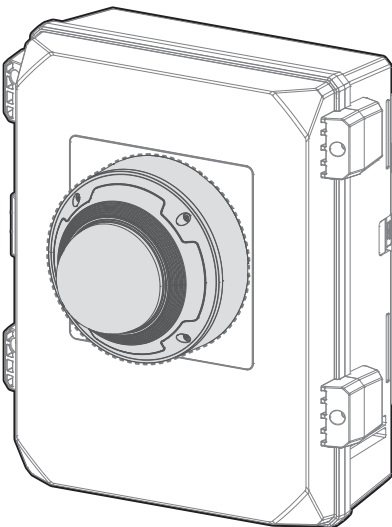
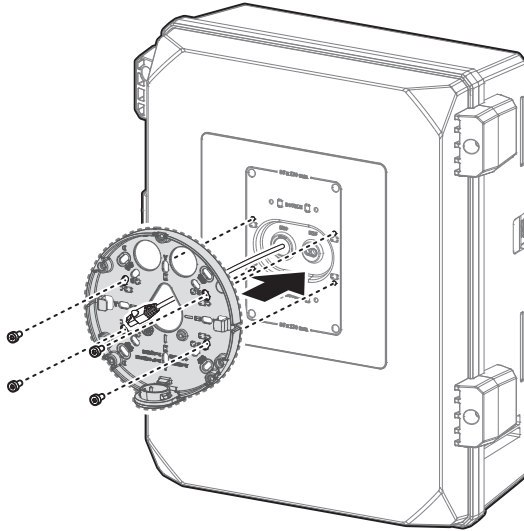


INSTALLATION

Camera installation

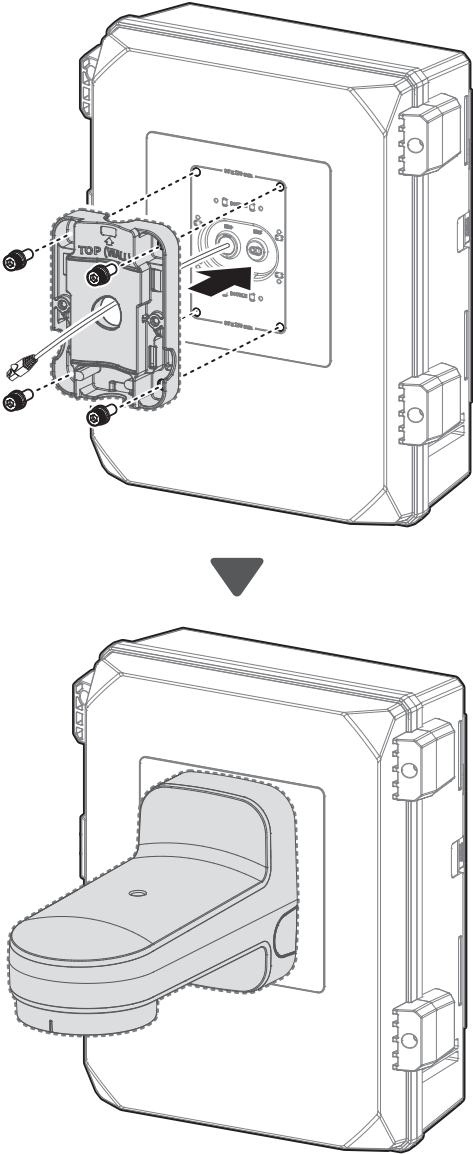


- Be sure to install the camera or other items with the door closed.
- Do not leave the door open for a long time with the camera or other items mounted.



INSTALLATION

Mount installation





Подлежит использованию по назначению
в нормальных условиях
Срок службы : 7 лет.

Türkiye Distribütörü

EDS Elektronik Destek Sanayi ve Ticaret Ltd. Şti.

Meclis Mah. Teraziler Cad. Hayran Sk. (Eskisi Kılıç Sk.) No: 4 Sancaktepe / İstanbul / Türkiye
Tel +90.216.313.25.15

ENTES ELEKTRONİK CİHAZLAR İMALAT VE TİC. A.Ş.

Dudullu Org.San.Bölg. 1. Cad. No:23 34776 Ümraniye / İstanbul / Türkiye
Tel +90.216.313.01.10

TEKNOMAKS TEKNOLOJİ / TEKNOMAKS BİLİSİM

MERDİVENKÖY MAH.DİKYOL SOK. BUSINESS İSTANBUL No:2, Kat:7, D:B67, 34732 Kadıköy / İstanbul / Türkiye
Tel +90.212.217.54.22

Cihazın Ticaret Bakanlığınca önerilen ortalama ömrü
Cihazın EEE yönetmeliklerine uygun olduğuna benzer beyan

