



Network

PTZ

QNP-6250R

2MP 25x IR PTZ Camera



Key Features

- Max. 2MP resolution
- 4.44~111mm (25x) lens
- Max. IR viewable length 100m (328.08ft)
- Day & Night (ICR), WDR, DIS (Built-in gyro sensor)
- Intelligent Analytics
- H.264, H.265, MJPEG codec, WiseStreamII
- Micro SD/SDHC/SDXC 1slot 256GB
- IP66, IK10, NEMA4X

QNP-6250R

2MP 25x IR PTZ Camera



Specifications

Video	
Imaging Device	1/2.8" CMOS
Resolution	1920x1080, 1280x1024, 1280x960, 1280x720, 1024x768, 800x600, 800x448, 720x576, 720x480, 640x480, 640x360, 320x240
Max. Framerate	H.265/H.264: Max. 60fps/50fps(60Hz/50Hz) MJPEG: Max. 30fps/25fps(60Hz/50Hz)
Min. Illumination	Color: 0.05Lux(F1.6, 1/30sec, 30IRE) BW: 0.005Lux(F1.6, 1/30sec, 30IRE), 0Lux(IR LED On)
Lens	
Focal Length (Zoom Ratio)	4.44~111mm(25x) zoom (digital 32x, total 800x zoom)
Max. Aperture Ratio	F1.6(Wide)~F3.9(Tele)
Angular Field of View	H: 64.66°(Wide)~2.99°(Tele) V: 38.08°(Wide)~1.68°(Tele)
Min. Object Distance	Wide: 1.5m(4.92ft) / Tele: 2m(6.56ft)
Focus Control	Oneshot AF, Focus save
Lens Type	DC auto iris
Pan / Tilt / Rotate	
Pan Range	360° Endless
Pan Speed	Preset: 700°/sec, Manual: 0.024°/sec~250°/sec
Tilt Range	110°(0°~110°)
Tilt Speed	Preset: 300°/sec, Manual: 0.024°/sec~250°/sec
Sequence	Preset(300ea), Swing, Group(6ea), Trace, Tour, Auto Run, Schedule
Preset Accuracy	±0.2°
Operational	
Camera Title	Displayed up to 85 characters
Direction Indicator	Support
Day & Night	Auto(ICR)
Backlight Compensation	BLC, HLC, WDR, SSSDR
Wide Dynamic Range	120dB
Digital Noise Reduction	SSNR V
Digital Image Stabilization	Support(built-in gyro sensor)
Defog	Support
Motion Detection	8ea, 8point polygonal zones
Privacy Masking	32ea, 4point quadrangle zones - Color: Grey/Green/Red/Blue/Black/White - Solid/Mosaic
Gain Control	Low / Middle / High

Design and specifications are subject to change without notice. The latest product information / specification can be found at HanwhaVision.com

Hanwha Vision is formerly known as Hanwha Techwin.

QNP-6250R

White Balance	ATW / AWC / Manual / Indoor / Outdoor / Mercury / Sodium
Electronic Shutter Speed	Minimum / Maximum / Anti flicker (2~1/12,000sec)
Video Rotation	Flip, Mirror
Analytics	Analytics events - Directional detection, Motion detection, Enter/Exit, Tampering, Virtual line * Audio detection(Via optional I/O box SPM-4210)
Alarm Triggers	Analytics, Network disconnect * Alarm input((Via optional I/O box SPM-4210)
Alarm Events	When alarm trigger occurred - File upload(image) : e-mail/FTP - Notification : e-mail - Recording : SD/SDHC/SDXC or NAS recording at event triggers - Alarm output - Handover(PTZ preset, Send message by HTTP/HTTPS/TCP) * Alarm output / Audio clip playback(Via optional I/O box SPM-4210)
Light Type	IR LED (850nm)
IR Viewable Length	100m(328.08ft)
Auto Tracking	Support

Network

Ethernet	Metal shielded RJ-45(10/100BASE-T)
Video Compression	H.265/H.264: Main/High, MJPEG
Smart Codec	Manual(5ea area), WiseStream II
Video Quality Adjustment	H.264/H.265: Target bitrate level control MJPEG: Target bitrate level control
Bitrate Control	H.264/H.265: CBR or VBR MJPEG: VBR
Streaming	Unicast(20 users) / Multicast Multiple streaming(Up to 10 profiles)
Protocol	IPv4, IPv6, TCP/IP, UDP/IP, RTP(UDP), RTP(TCP), RTCP, RTSP, NTP, HTTP, HTTPS, SSL/TLS, DHCP, FTP, SMTP, ICMP, IGMP, SNMPv1/v2c/v3(MIB-2), ARP, DNS, DDNS, QoS, UPnP, Bonjour, LLDP, SRTP (TCP, UDP Unicast), NTCIP1205
Application Programming Interface	ONVIF Profile S/G/T SUNAPI(HTTP API) Wisenet open platform

Security

OS / Firmware Protect	Firmware encryption
User authentication	Digest Authentication, Privent brute-force attack
Network authentication	802.1X Authentication(EAP-TLS, EAP-LEAP, EAP-PEAP MSCHAPv2)
Secure Communication	HTTPS, SRTP, WSS(Websocket secure)
Access Control	IP address filtering
Data Protect	Authentication information encryption, ZIP compression encryption
Audit	User Access/System/Event log
Device ID	Device Certificate(Hanwha Techwin Root CA, pre-installed)

General

Webpage Language	English, Korean, Chinese, French, Italian, Spanish, German, Japanese, Russian, Swedish, Portuguese, Czech, Polish, Turkish, Dutch, Hungarian, Greek
Edge Storage	Micro SD/SDHC/SDXC 1slot Max. 256GB
Memory	1GB RAM, 256MB Flash

Environmental & Electrical

Operating Temperature / Humidity	-35°C~+55°(-31°F ~ +131°F) * Start up should be done at above -30°C 0~95% RH(non-condensing)
----------------------------------	--

Design and specifications are subject to change without notice. The latest product information / specification can be found at HanwhaVision.com

Hanwha Vision is formerly known as Hanwha Techwin.

QNP-6250R

Storage Temperature / Humidity	-50°C~+60°C(-58°F~+140°F) / 0~95% RH
Certification	IP66, IK10, NEMA4X
Input Voltage	PoE+(IEEE802.3at, Class4)
Power Consumption	PoE+: Max. 25.5W, typical 14.7W

Mechanical

Color / Material	Body : White / Aluminum Head : Black / Polycarbonate Hard-coated dome
RAL Code	RAL9003
Product Dimensions / Weight	ø158x293.3mm(ø6.22x11.55"), 3100g(6.83lb)
Hanging Mount (Dome)	SBP-156HMW
Ceiling Mount (Assy)	SBP-156CMW, SBP-300CMTS, SBP-300CMW1/900CMW, SBP-150CMI/300CMI
Wall Mount	SBP-156WMW, SBP-390WMW2
Pole Mount	SBP-300PMW2
Parapet Mount	SBP-156LMW, SBP-300LMW
Corner Mount	SBP-156KMW, SBP-300KMW1
Cabinet	SBP-300NBW

Certifications & Standards

EMC	FCC 47 CFR 15 Subpart B Class A IC Regulation ICES-003 Issue 7 Class A CE/UKCA - EN 55032 Class A, EN 50130-4, EN 61000-3-2, EN 61000-3-3 VCCI CISPR 32 Class A RCM AS/NZS CISPR 32 Class A
Safety	UL 62368-1, CAN/CSA C22.2 NO. 62368-1 IEC/EN 62471
Environment	IEC/EN 63000 IEC/EN 60529 IP66, IEC/EN 62262 IK10

DORI (EN62676-4 standard)

Detect (25PPM/ 8PPF)	Wide: 60.7m(199.1ft) / Tele: 1471.3m(4827.2ft)
Observe (63PPM/ 19PPF)	Wide: 24.3m(79.6ft) / Tele: 588.5m(1930.9ft)
Recognize (125PPM/ 38PPF)	Wide: 12.1m(39.8ft) / Tele: 294.3m(965.4ft)
Identify (250PPM/ 76PPF)	Wide: 6.1m(19.9ft) / Tele: 147.1m(482.7ft)

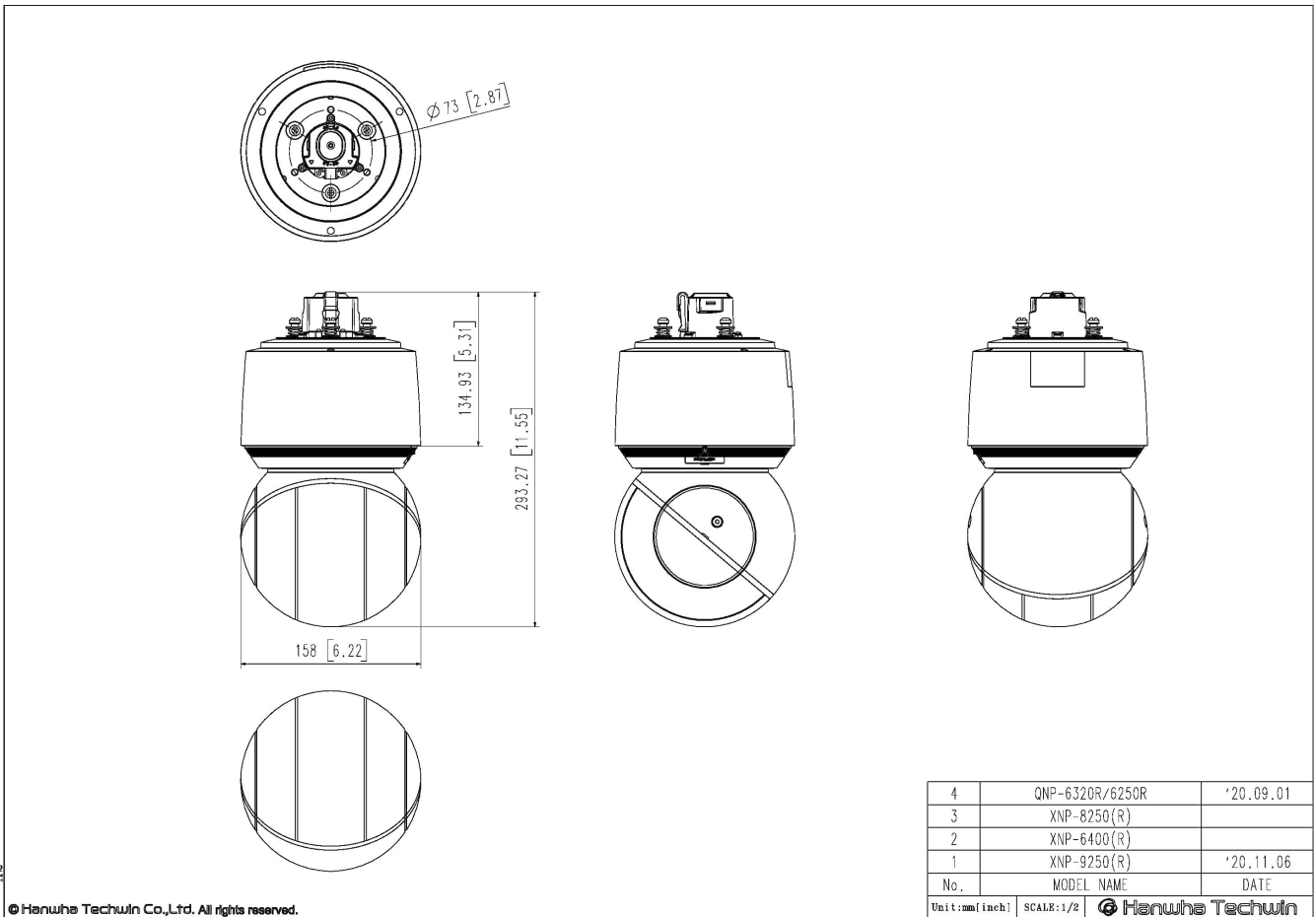
QNP-6250R

2MP 25x IR PTZ Camera



CAD

Unit:mm [inch]



© Hanwha Techwin Co.,Ltd. All rights reserved.