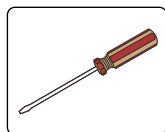
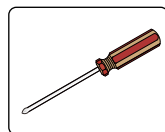


Tool list

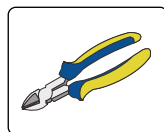
The installation tools are not provided with the device. Prepare them yourself.



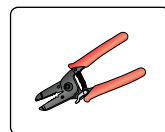
Flathead screwdriver



Phillips screwdriver



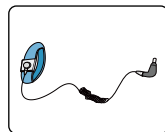
Diagonal pliers



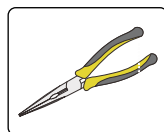
Wire-stripping pliers



Marker

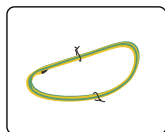


ESD wrist strap

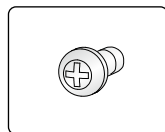


Needle-nose pliers

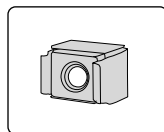
Installation accessories



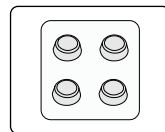
Grounding cable



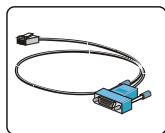
M6 screw (user supplied)



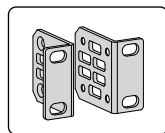
Cage nut (user supplied)



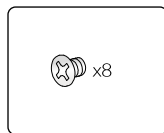
Rubber feet



Console cable



Mounting brackets



M4 screw

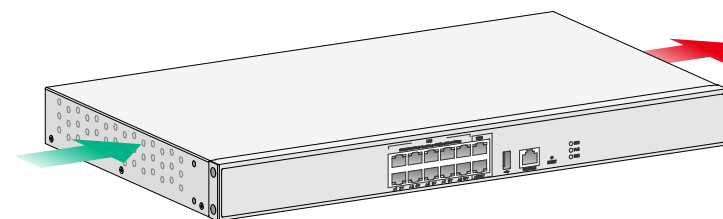


Power cord

- Wear an ESD wrist strap during the installation process. Make sure the wrist strap makes good skin contact and is reliably grounded.
- To avoid buildup of dust and debris that might block the vent holes, clean the device a minimum of once every three months.

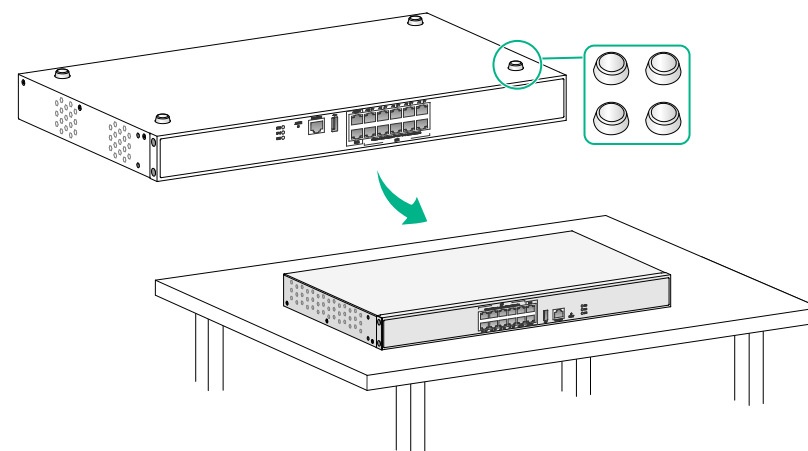
Airflow of the access controller

Make sure the air inlet and outlet vents are not blocked and the installation site has a good ventilation system.



Mounting the device on a workbench

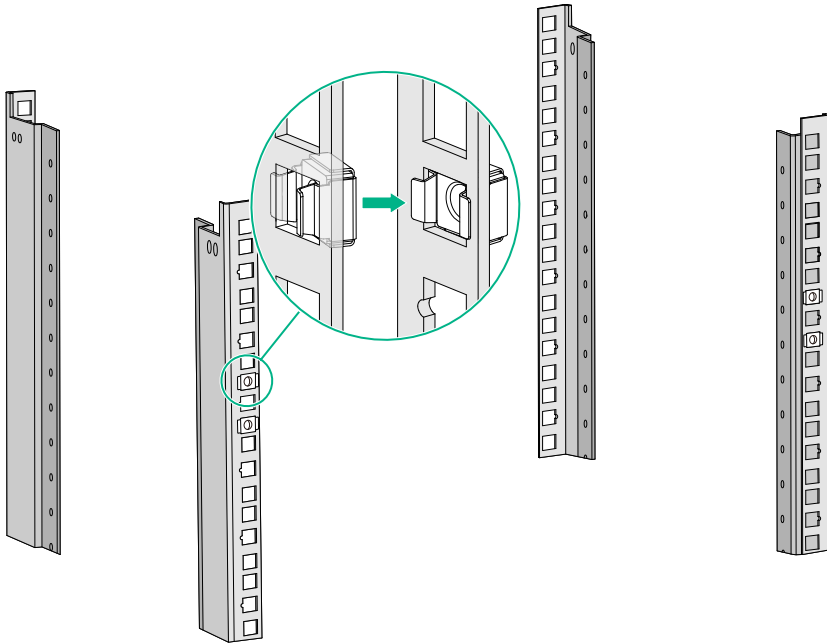
Attach the rubber feet to the four round recessed areas on the chassis bottom. Place the device upside up on the workbench.



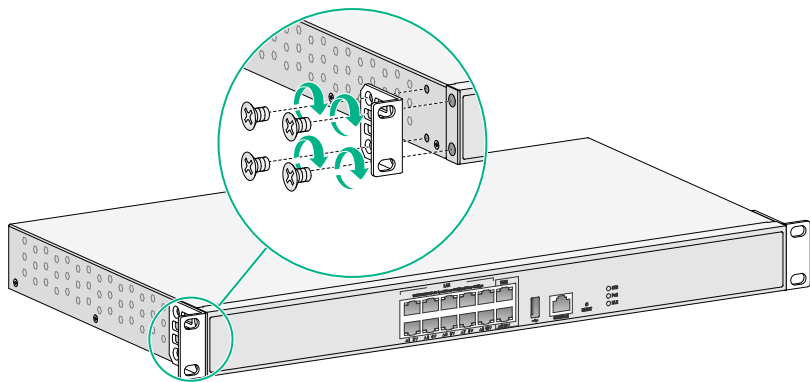
Mounting the device in a rack

 To install the device in a rack, make sure a minimum clearance of 10 cm (3.94 in) is reserved below and above the device.

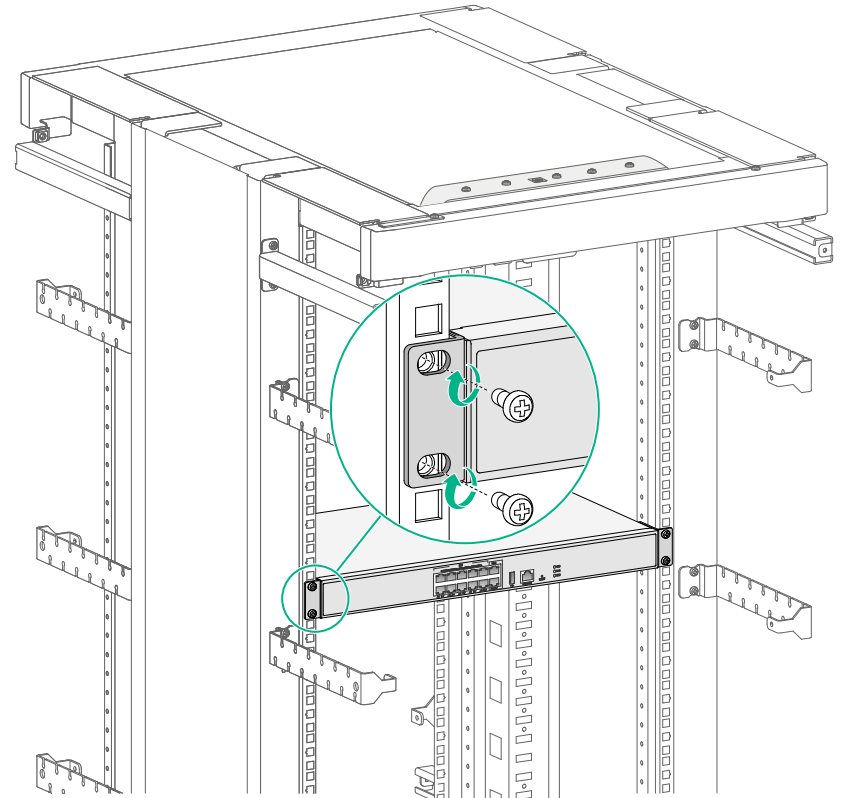
1. Installing cage nuts



2. Attaching mounting brackets to the device



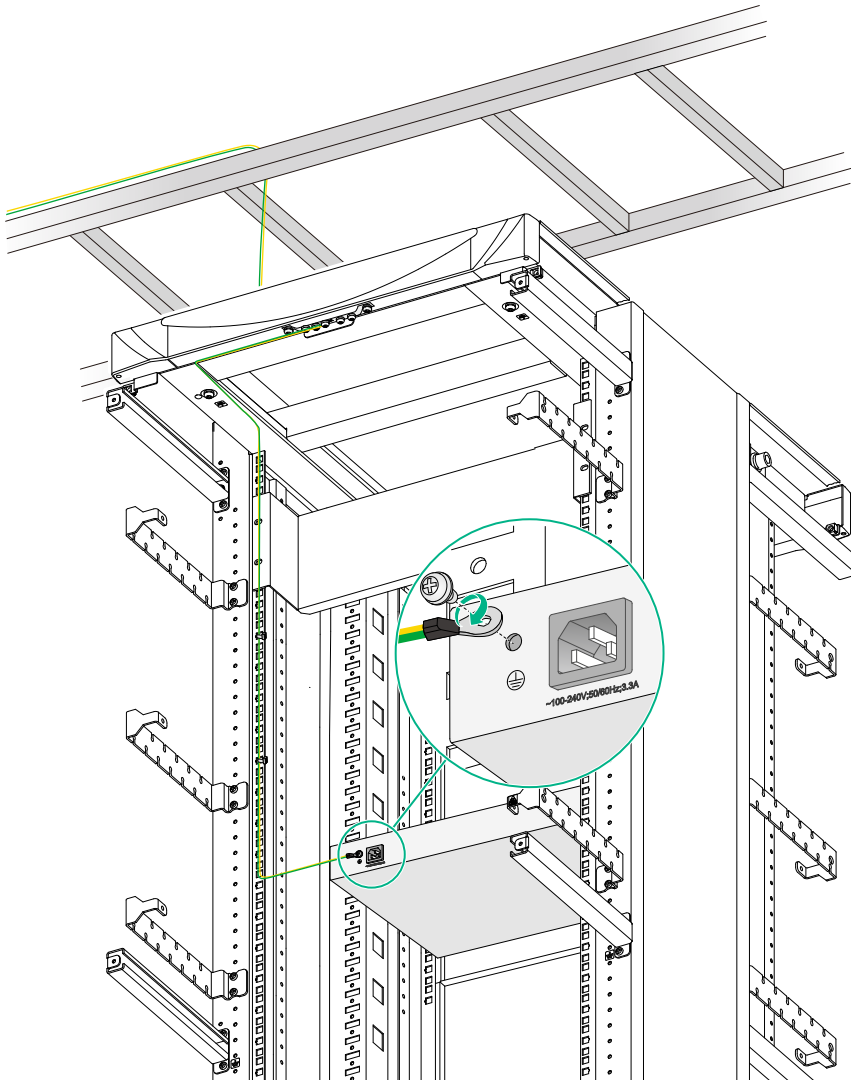
3. Mounting the AC in a rack



Connecting the grounding cable

Correctly connecting the grounding cable is crucial to lightning protection and EMI protection. To guarantee the grounding effect, use the grounding cable provided with the device.

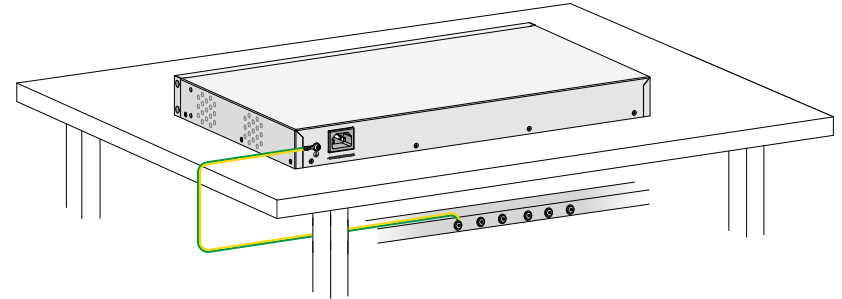
Grounding the device when mounted in a rack



5

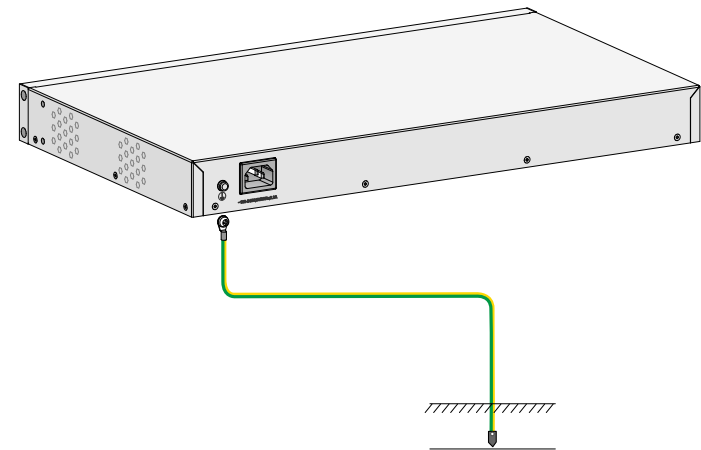
Connect the building grounding cable to the grounding strip of the rack. Make sure the rack is reliably grounded. Use the grounding cable to connect the device to the grounding strip of the rack.

Grounding the device when mounted on a workbench



Use the grounding screw to attach the ring terminal of the grounding cable to the device, and connect the other end of the grounding cable to a grounding strip.

Grounding the device by burying a grounding conductor in the earth ground



If the installation site does not have grounding facilities, you can ground the device by burying a grounding conductor in the earth ground.

6

Connecting the device to the power source

Before connecting the power cord, make sure the device is reliably grounded. To avoid bodily injury, connect the power cord first to the device and then to the equipment-room power supply system.

