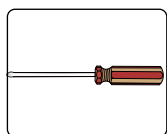
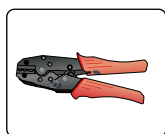


Tool list

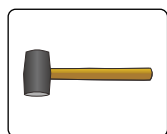
No installation tools are provided with the device. Prepare them yourself as required.



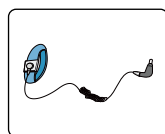
Phillips screwdriver



Wire-stripping pliers



Rubber hammer



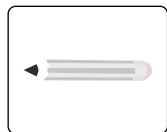
ESD wrist strap



Hammer drill

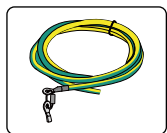


Adjustable wrench

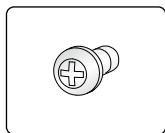


Marker

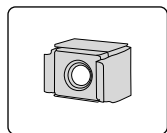
Installation accessories



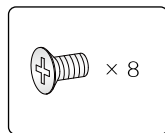
Grounding cable



M6 screw
(user supplied)



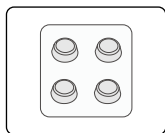
Cage nut
(user supplied)



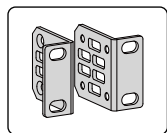
M4 screw



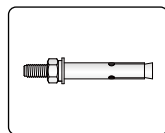
Power cord



Power cord



Mounting brackets



Wall anchor kit
(user supplied)

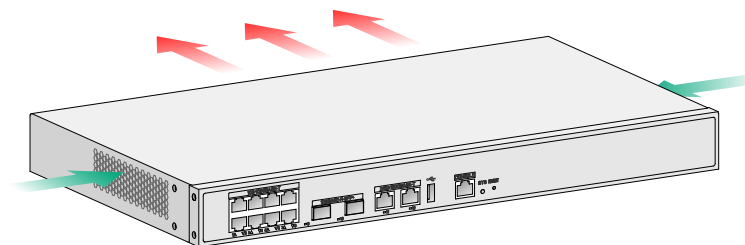


- Wear an ESD wrist strap during the installation process. Make sure the wrist strap makes good skin contact and is reliably grounded.
- To avoid buildup of dust and debris that might block the vent holes, clean the device a minimum of once every three months.

Airflow of the device

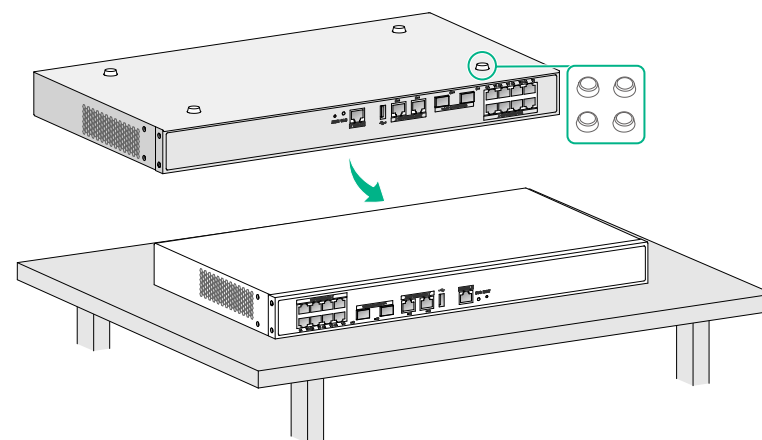
Make sure the air inlet and outlet vents are not blocked and the installation site has a good ventilation system.

The device provides left- and right-side intake and rear exhaust airflow.



Mounting the device on a workbench

Attach the rubber feet to the four round recessed areas on the chassis bottom. Place the device upside up on the workbench.

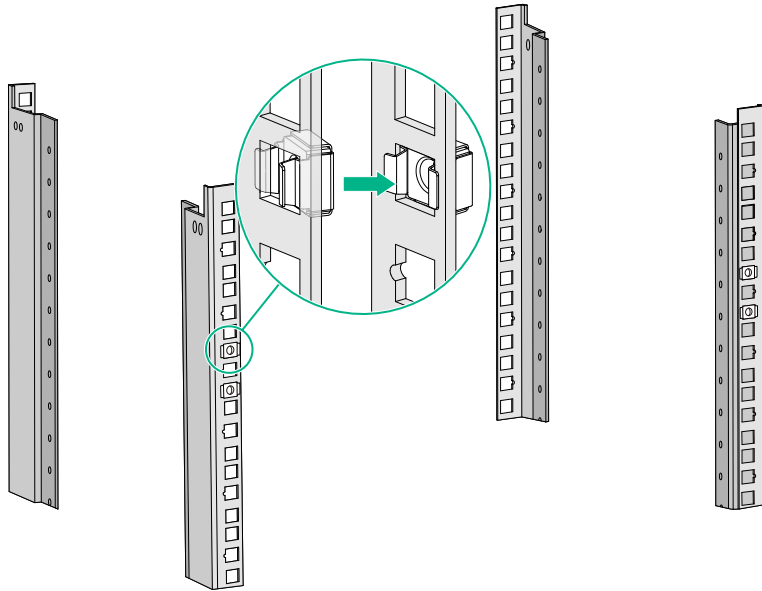


Mounting the device in a rack

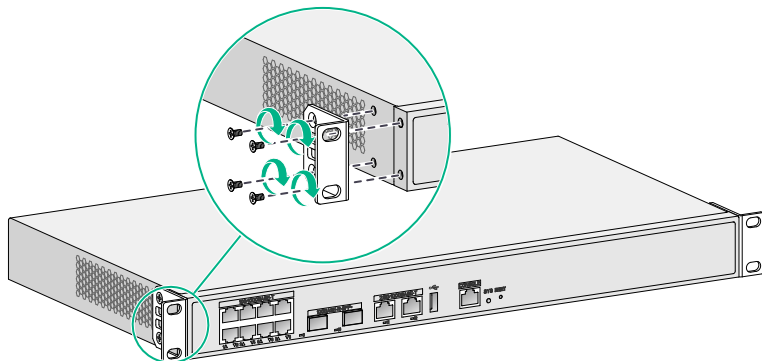


To install the device in a rack, make sure a minimum clearance of 10 cm (3.94 in) is reserved below and above the device.

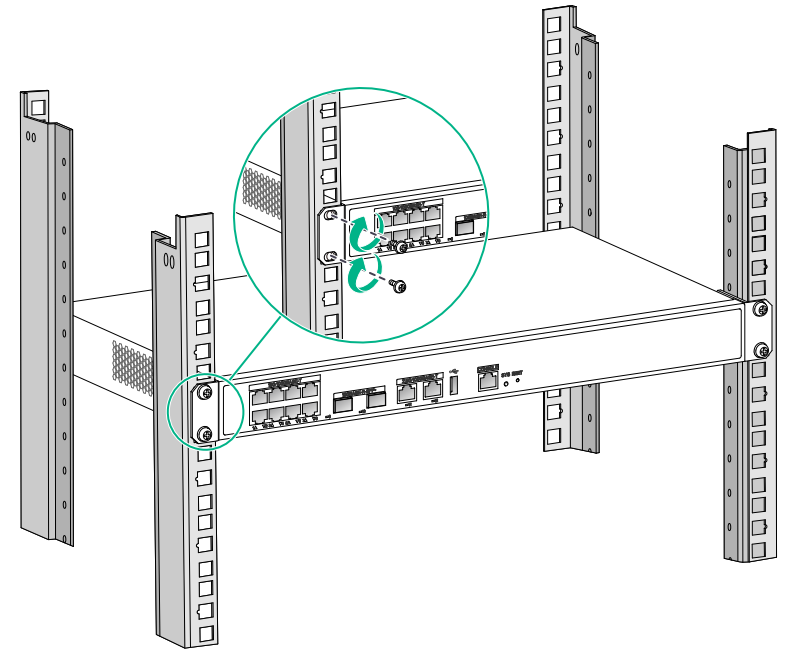
1. Installing cage nuts



2. Attaching mounting brackets to the device



3. Mounting the AC in a rack

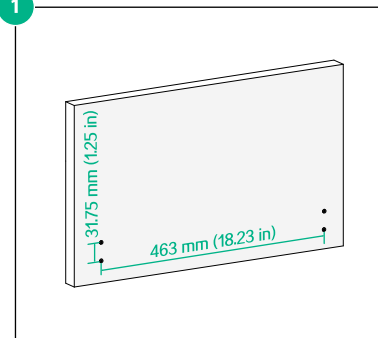


Mounting the device on a wall



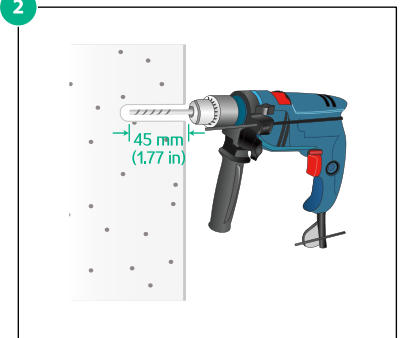
To mount the device on a wall, orient the device with the front panel facing downward.

1

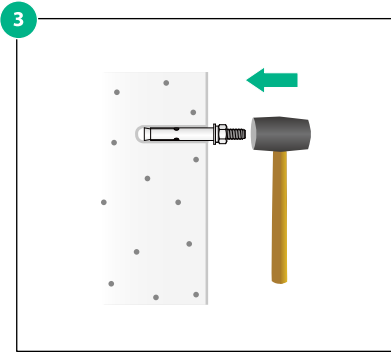


Mark installation hole locations on the wall.

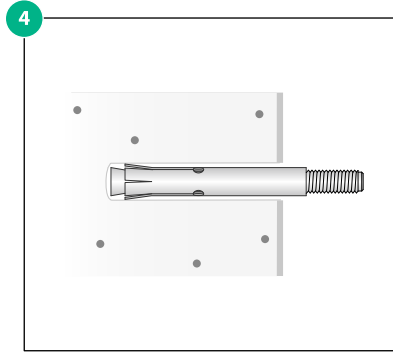
2



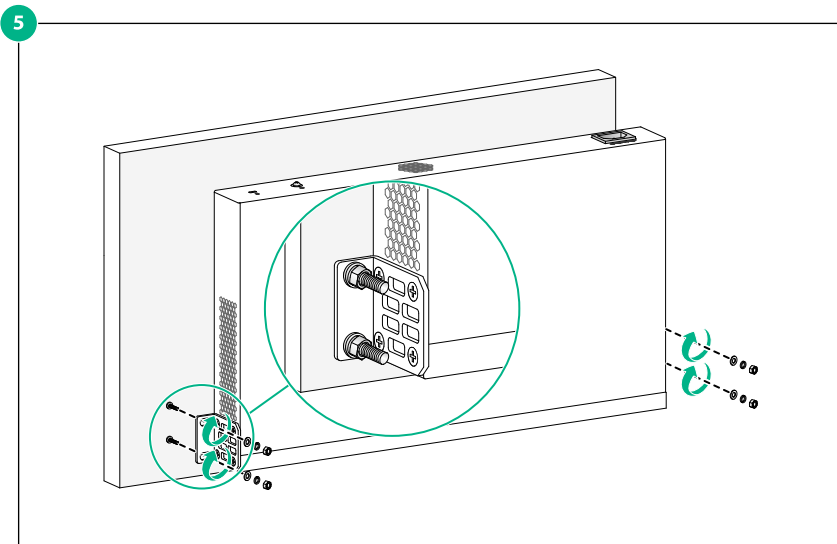
Drill a hole with a diameter of 8 mm (0.32 in) at each marked location.



Hammer an expansion anchor into each hole until the flat washer is flush with the wall.



Fasten the nut on each expansion bolt to expand the expansion sleeve. Remove the nuts, spring washers, and flat washers in sequence.

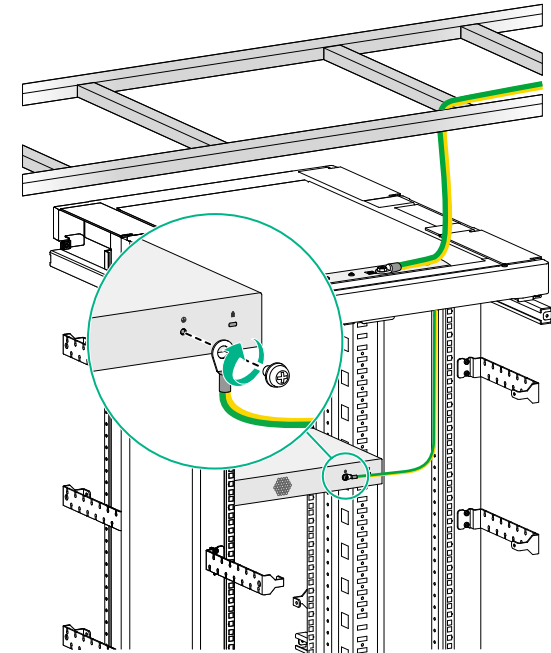


Attach the mounting brackets to the screw anchors, and install the flat washers, spring washers, and nuts in sequence. Then, use a wrench to fasten the nuts.

Connecting the grounding cable

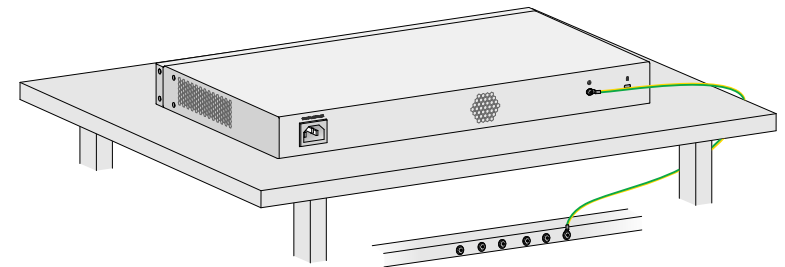
Correctly connecting the grounding cable is crucial to lightning protection and EMI protection.

Grounding the device when mounted in a rack



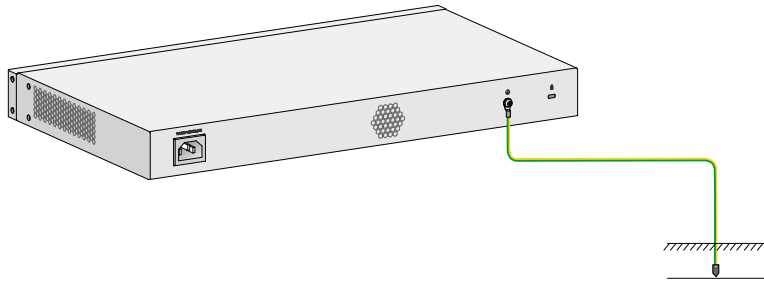
Connect the building grounding cable to the grounding strip of the rack. Make sure the rack is reliably grounded. Use the grounding cable to connect the device to the grounding strip of the rack.

Grounding the device when mounted on a workbench



Use the grounding screw to attach the ring terminal of the grounding cable to the device, and connect the other end of the grounding cable to a grounding strip.

Grounding the device by burying a grounding conductor in the earth ground



If the installation site does not have grounding facilities, you can ground the device by burying a grounding conductor in the earth ground.

Connecting the device to the power source

- Before connecting the power cord, make sure the device is reliably grounded.
- To avoid bodily injury, connect the power cord first to the device and then to the equipment-room power supply system.

