

Conduit Adaptor

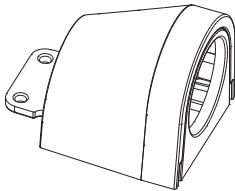
SBP-060BA

 Hanwha Vision

Installation Precautions

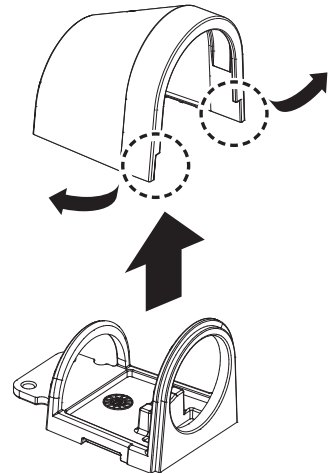
- Please make sure to install on an area which is strong enough to support more than 4 times of the total weight of this product and the camera.

Package

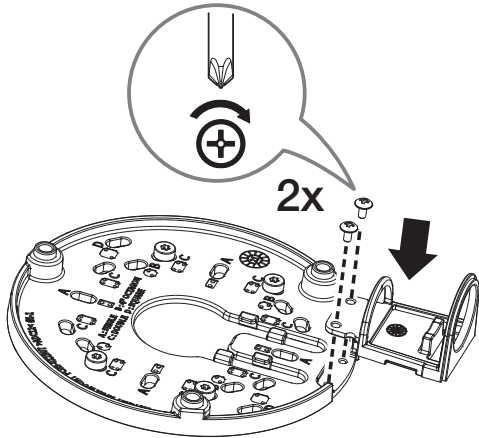


Screws (2EA)

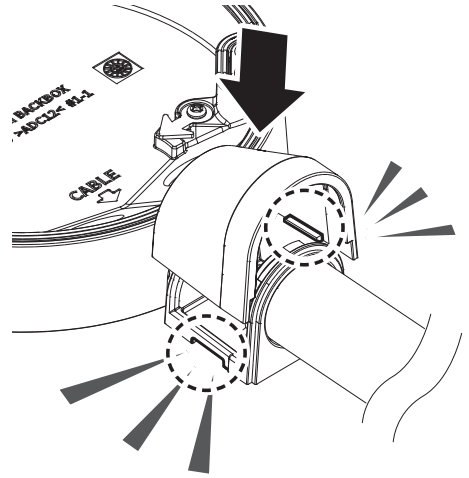
1



2



4



3

