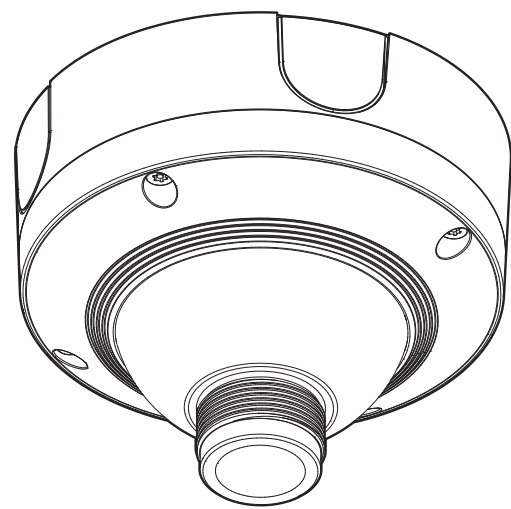


# Ceiling Mount Base

SBP-180CMS

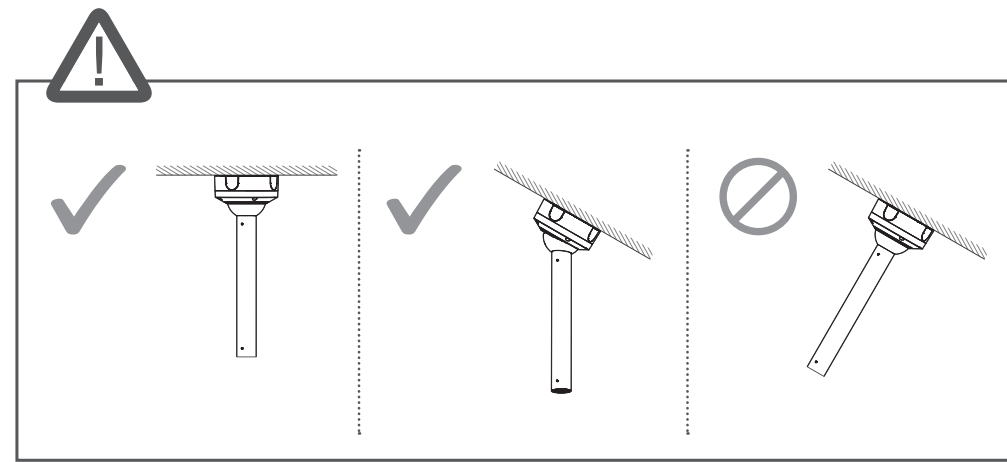
Hanwha Vision

## Package

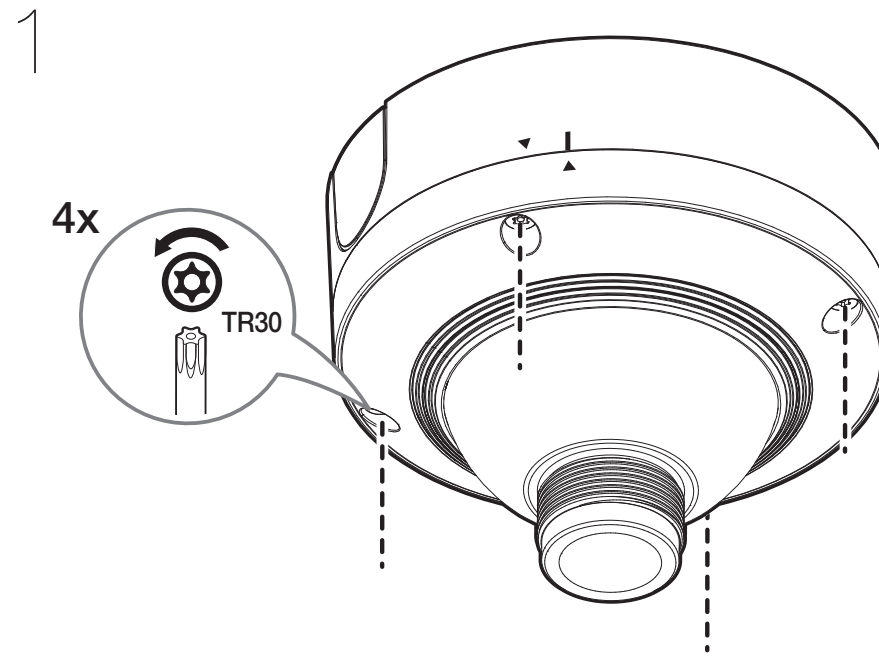


## Installation Precautions

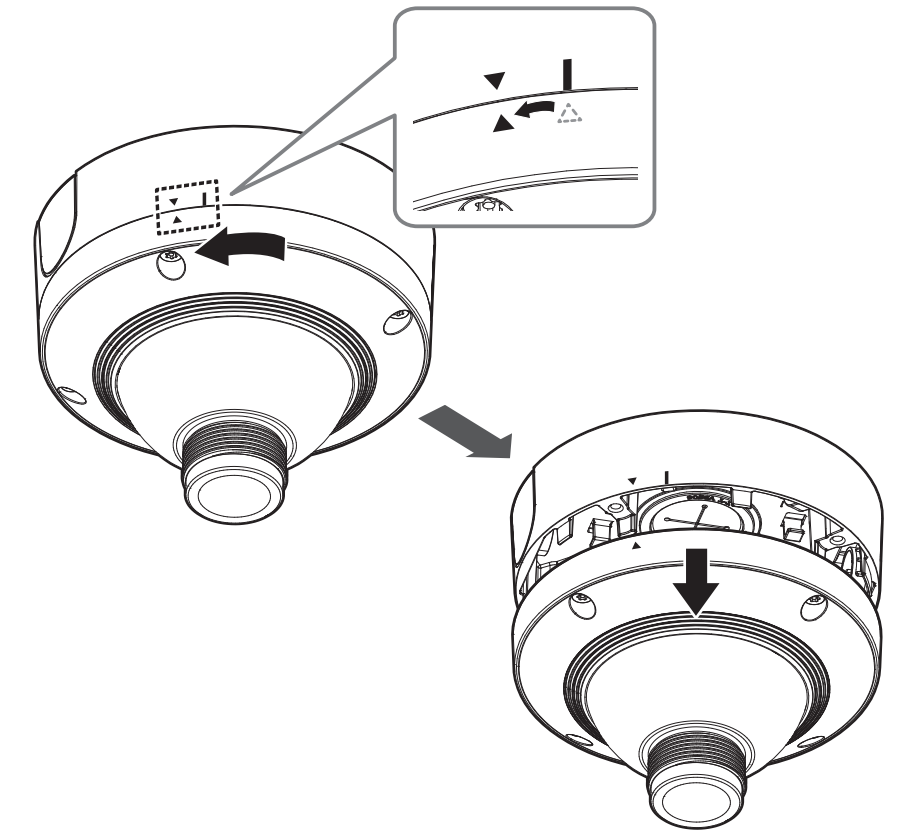
- Make sure that the installation place can endure at least 4 times of the total weight of the Ceiling Mount, Hanging Adaptor and Camera.
- Each anchor bolt to use must be capable of withstanding an extraction force of 700 kg.
- When installing the product outdoors, use interlocking devices made of stainless steel.



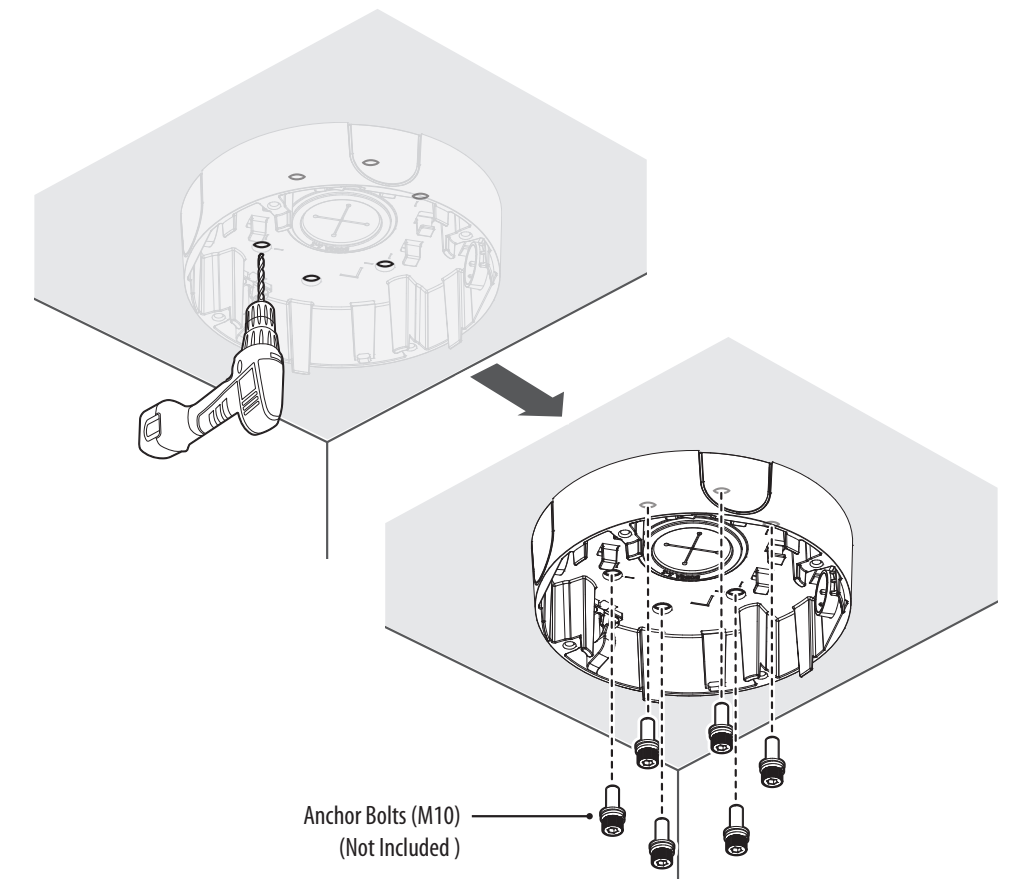
## Installation



2

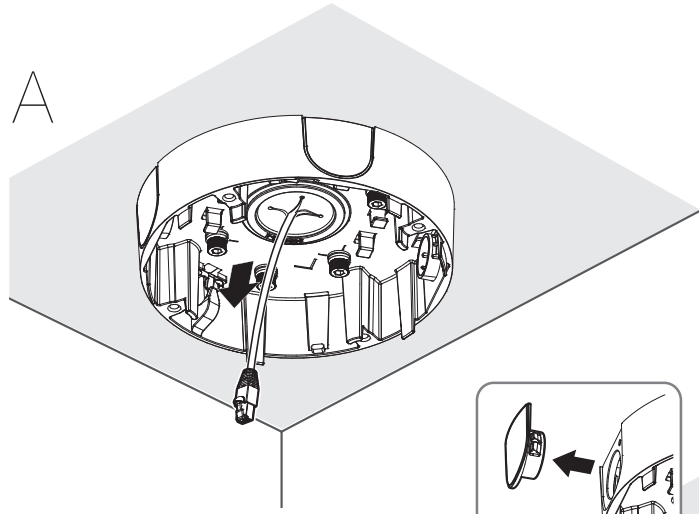


3

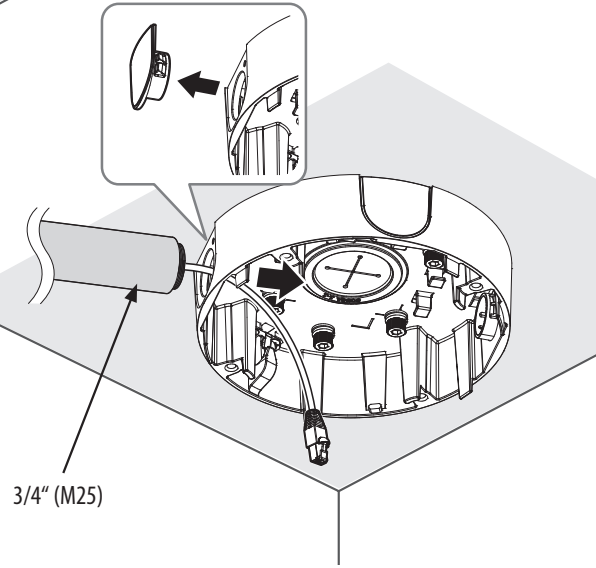


4

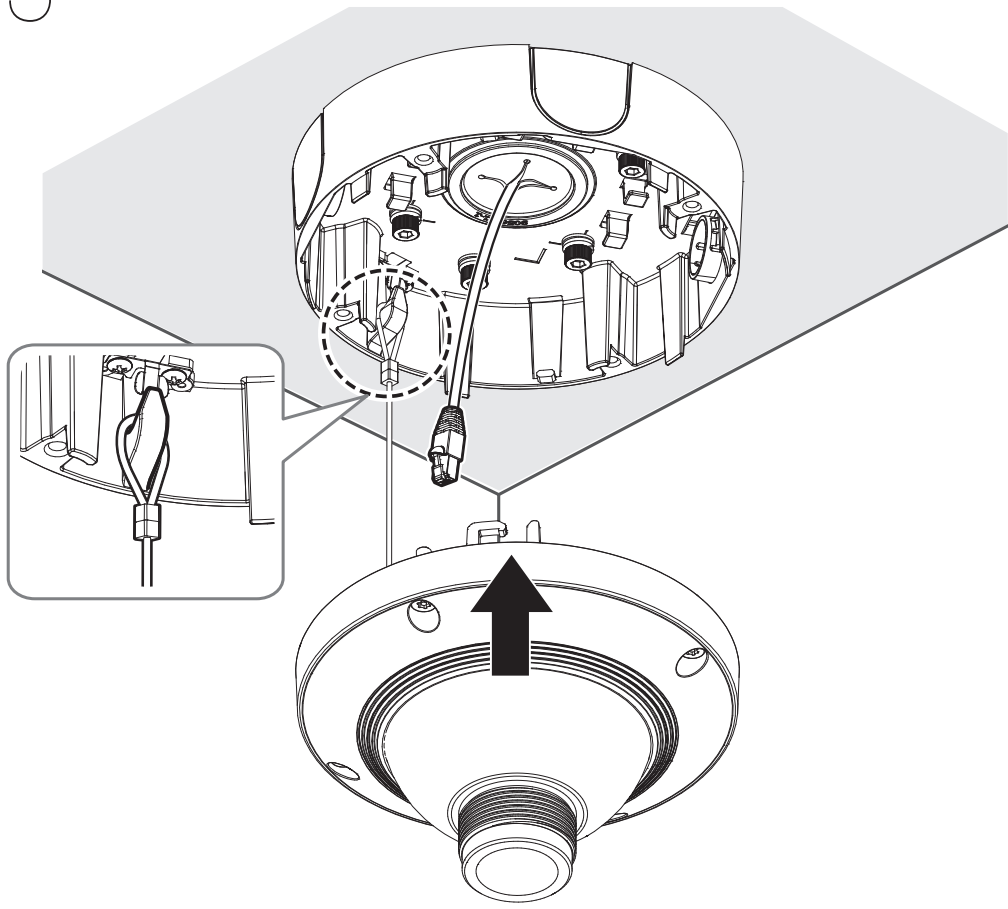
A



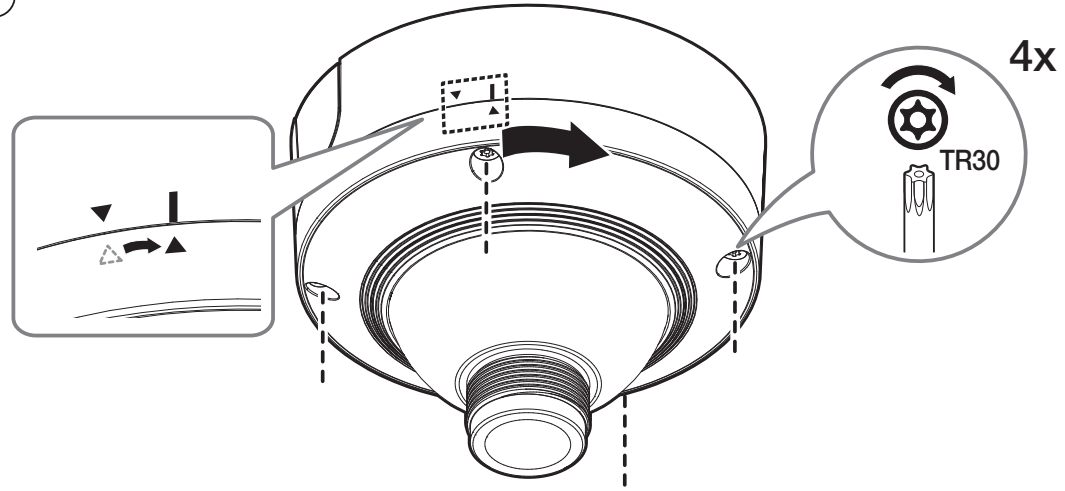
B



5



6



7

