

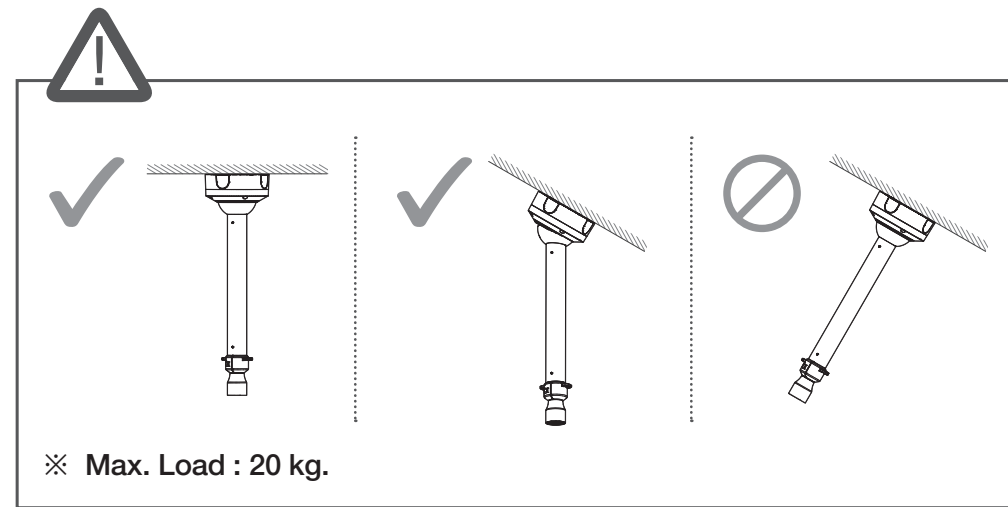
# Ceiling Mount

SBP-300CMTS

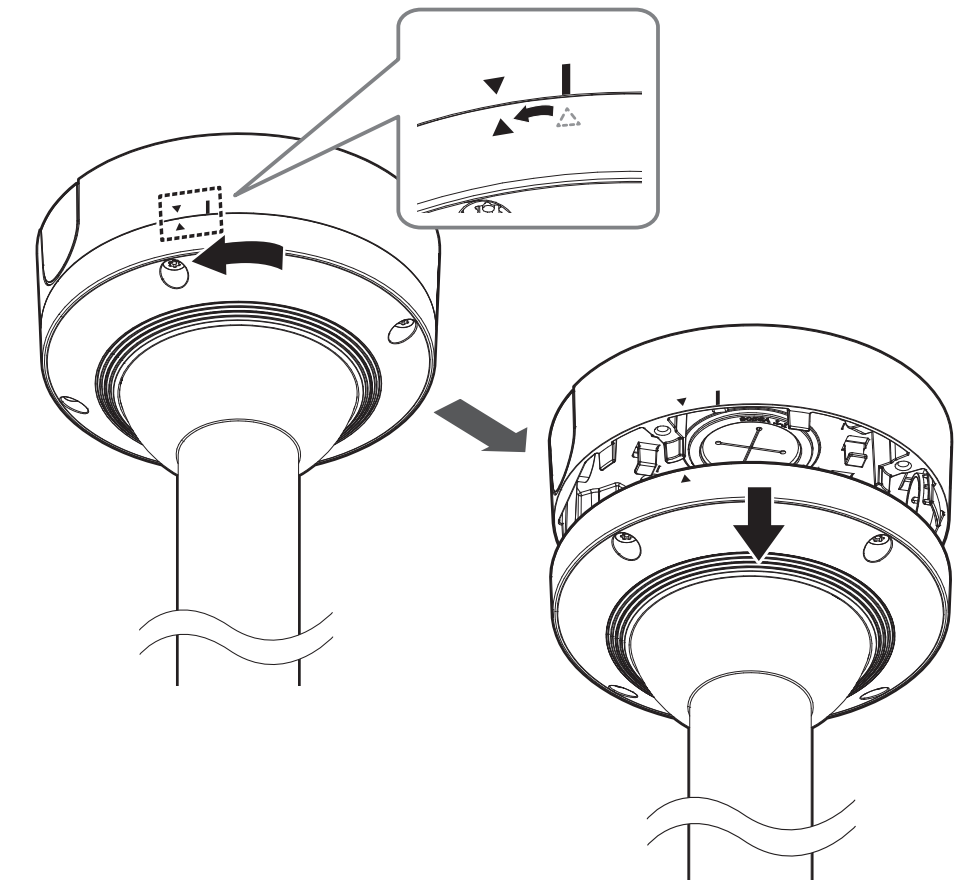
Hanwha Vision

## Installation Precautions

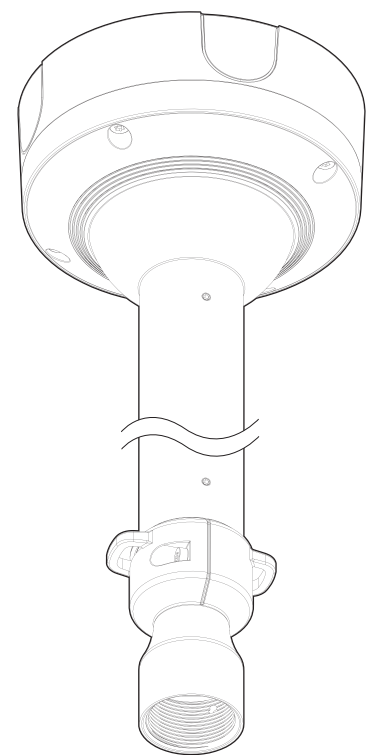
- Make sure that the installation place can endure at least 4 times of the total weight of the Ceiling Mount, Hanging Adaptor and Camera.
- Each anchor bolt to use must be capable of withstanding an extraction force of 700 kg.
- When installing the product outdoors, use interlocking devices made of stainless steel.



2



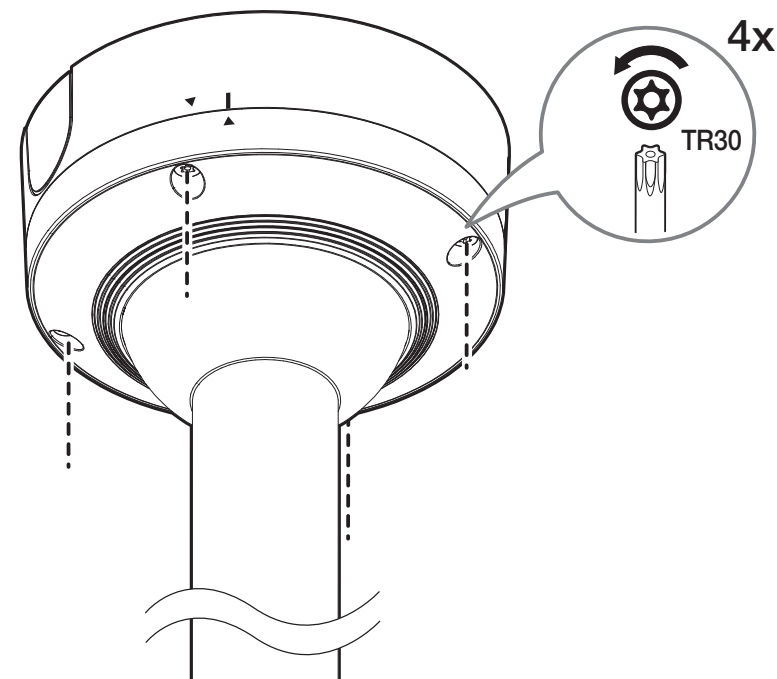
## Package



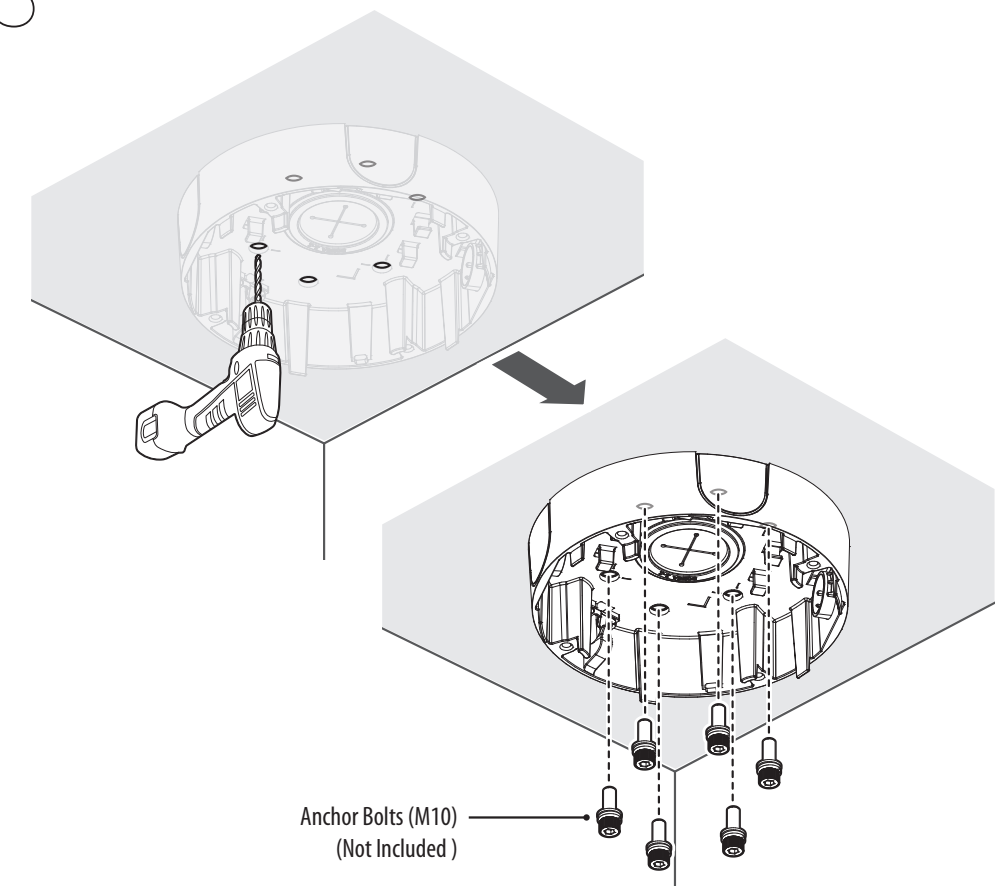
Screws(4EA)

## Installation

1

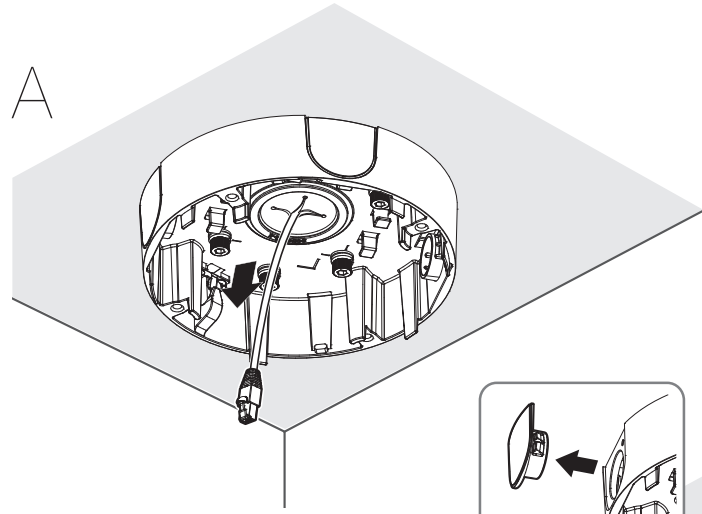


3

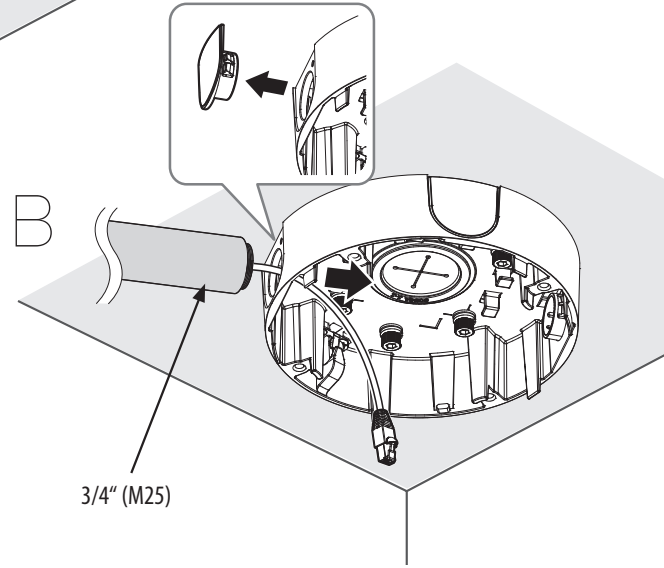


4

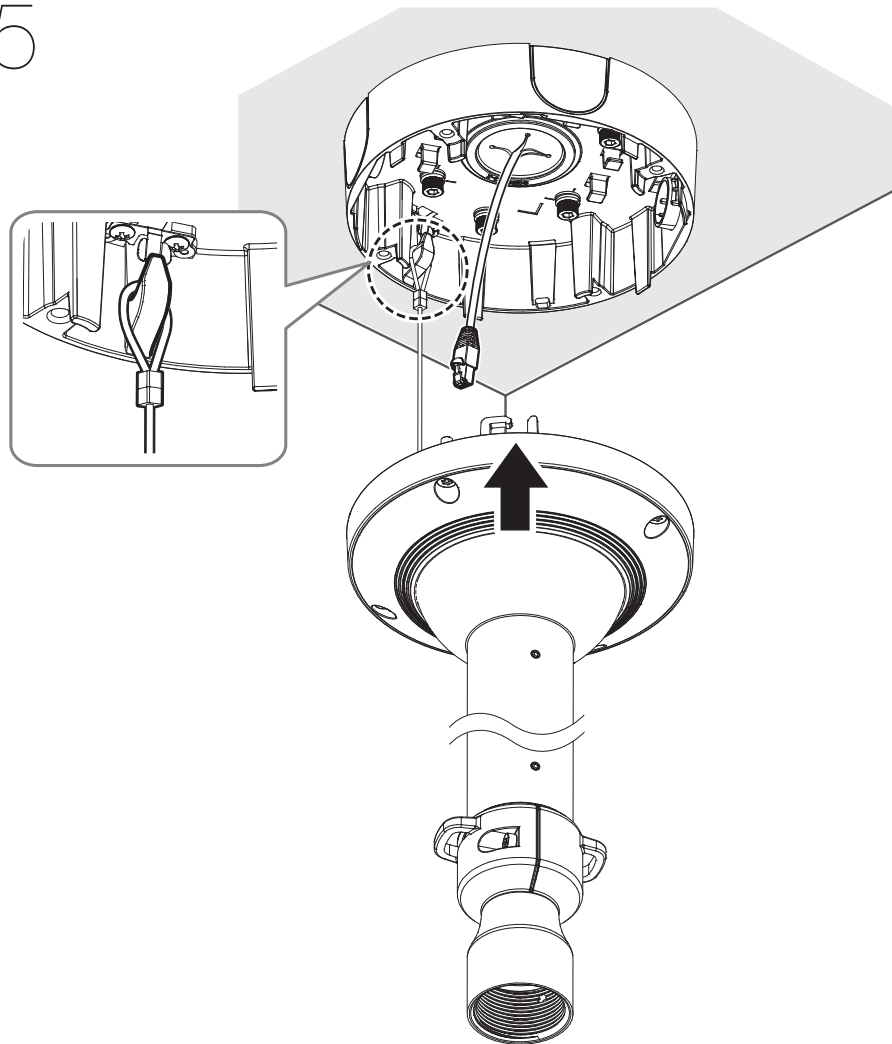
A



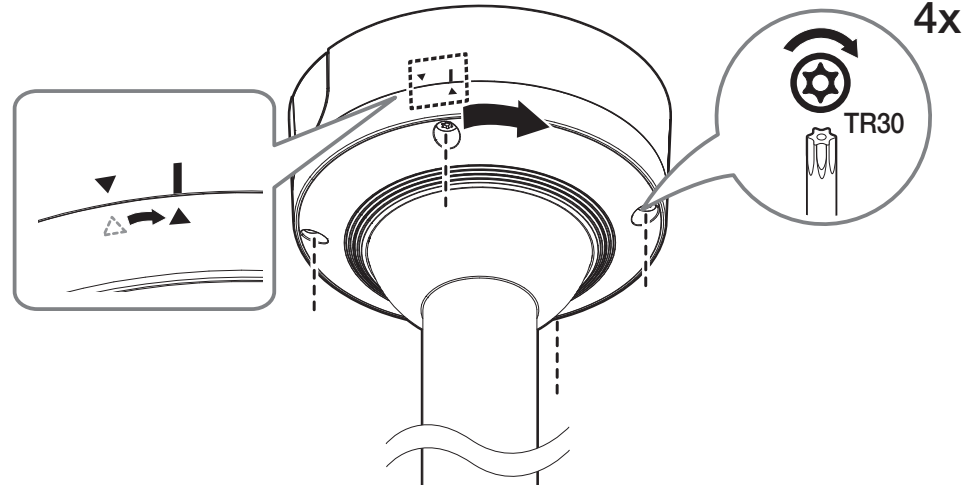
B



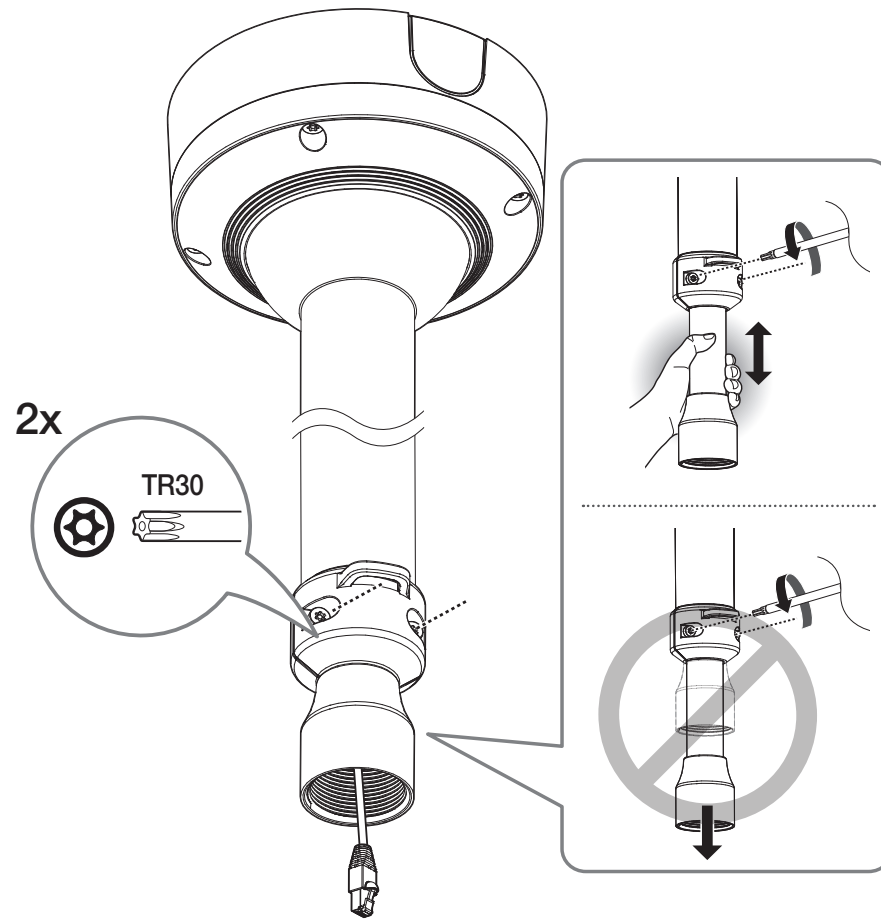
5



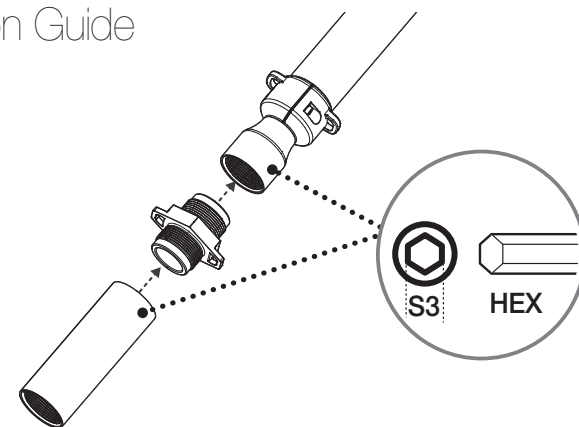
6



7



### Pipe Extension Guide



- ※ Pipe coupler and Extension pipe are optional
- ※ When using a pipe coupler, attach a wire to it.

8

