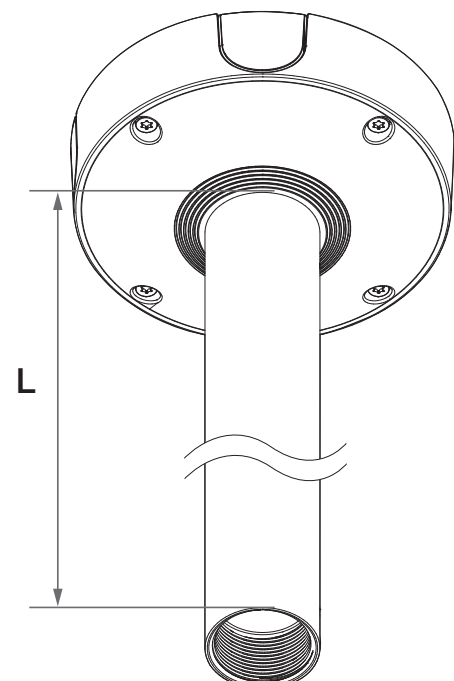


Ceiling Mount

SBP-300CMW1
SBP-900CMW



Package



1EA

SBP-300CMW1 (L:300mm)
SBP-900CMW (L:900mm)



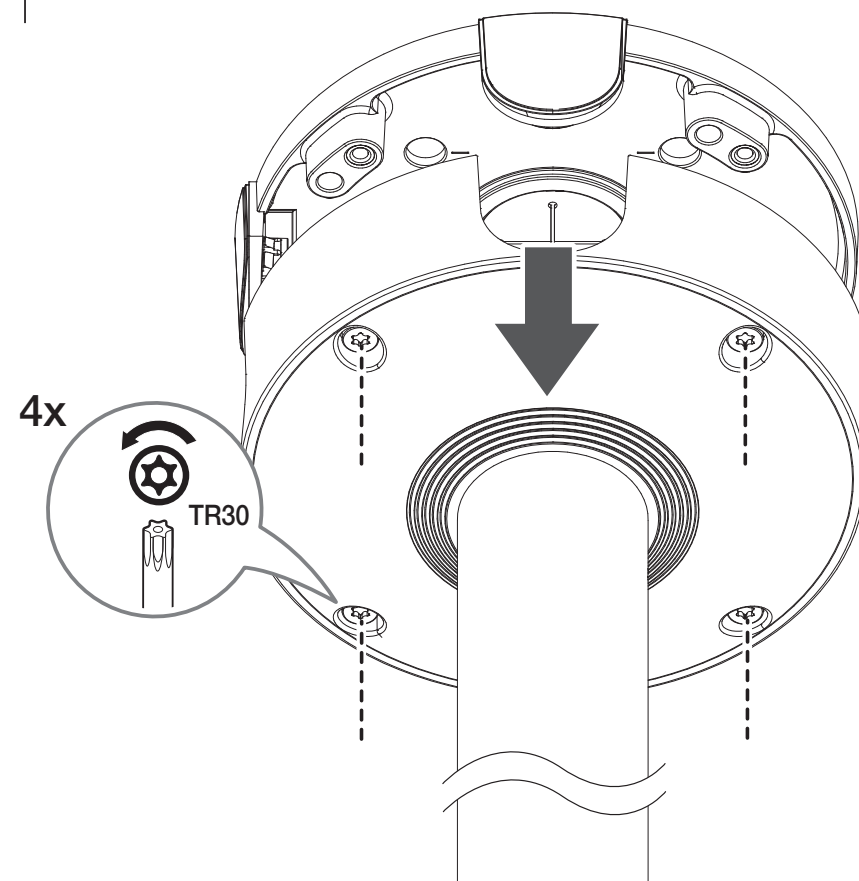
2EA

Installation Precautions

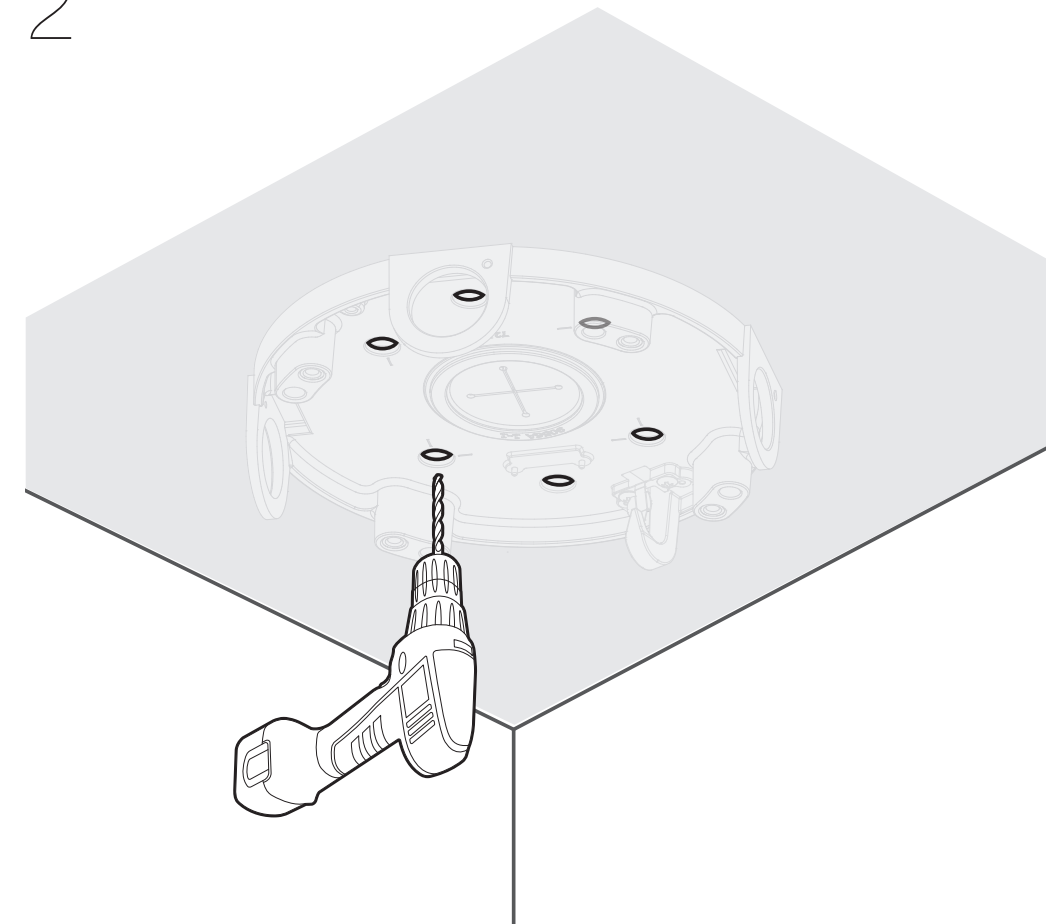
- Make sure that the installation place can endure at least 4 times of the total weight of the Ceiling Mount, Hanging Adaptor and Camera.
- Each anchor bolt to use must be capable of withstanding an extraction force of 700 kg.
- When installing the product outdoors, use interlocking devices made of stainless steel.

Installation

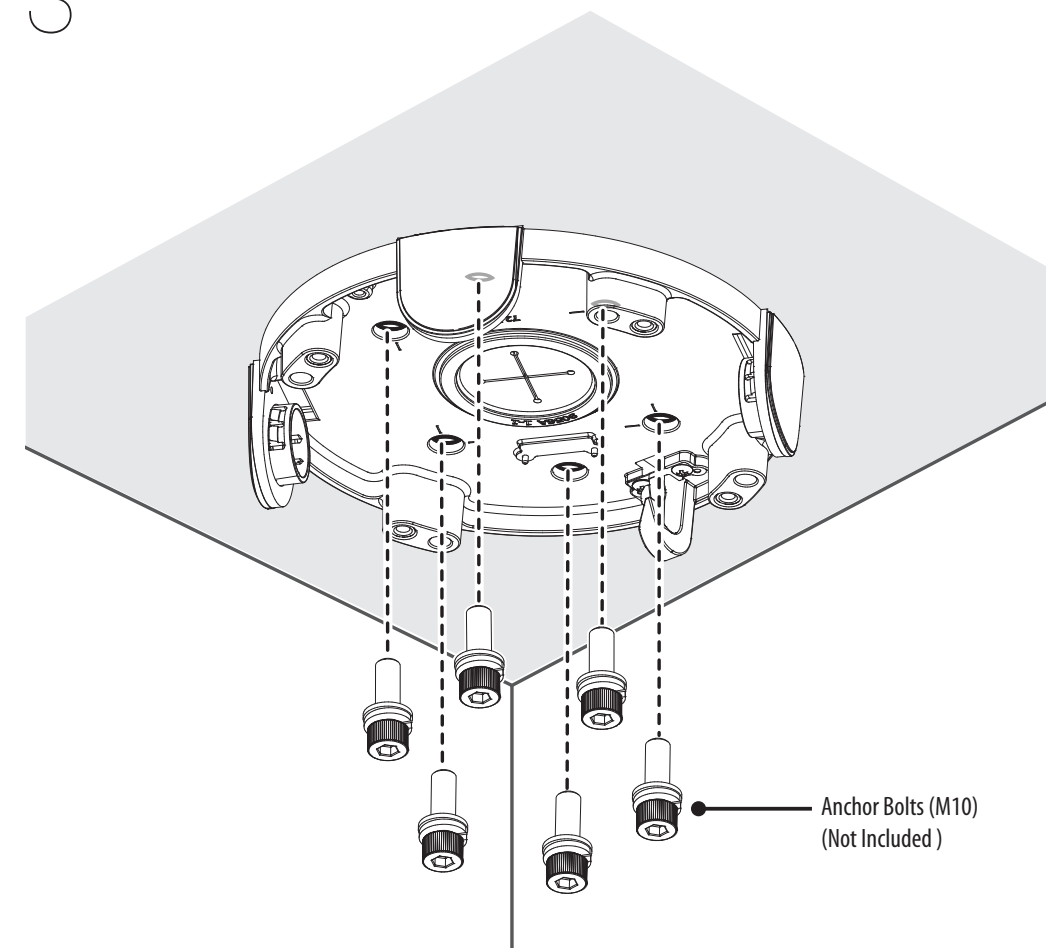
1



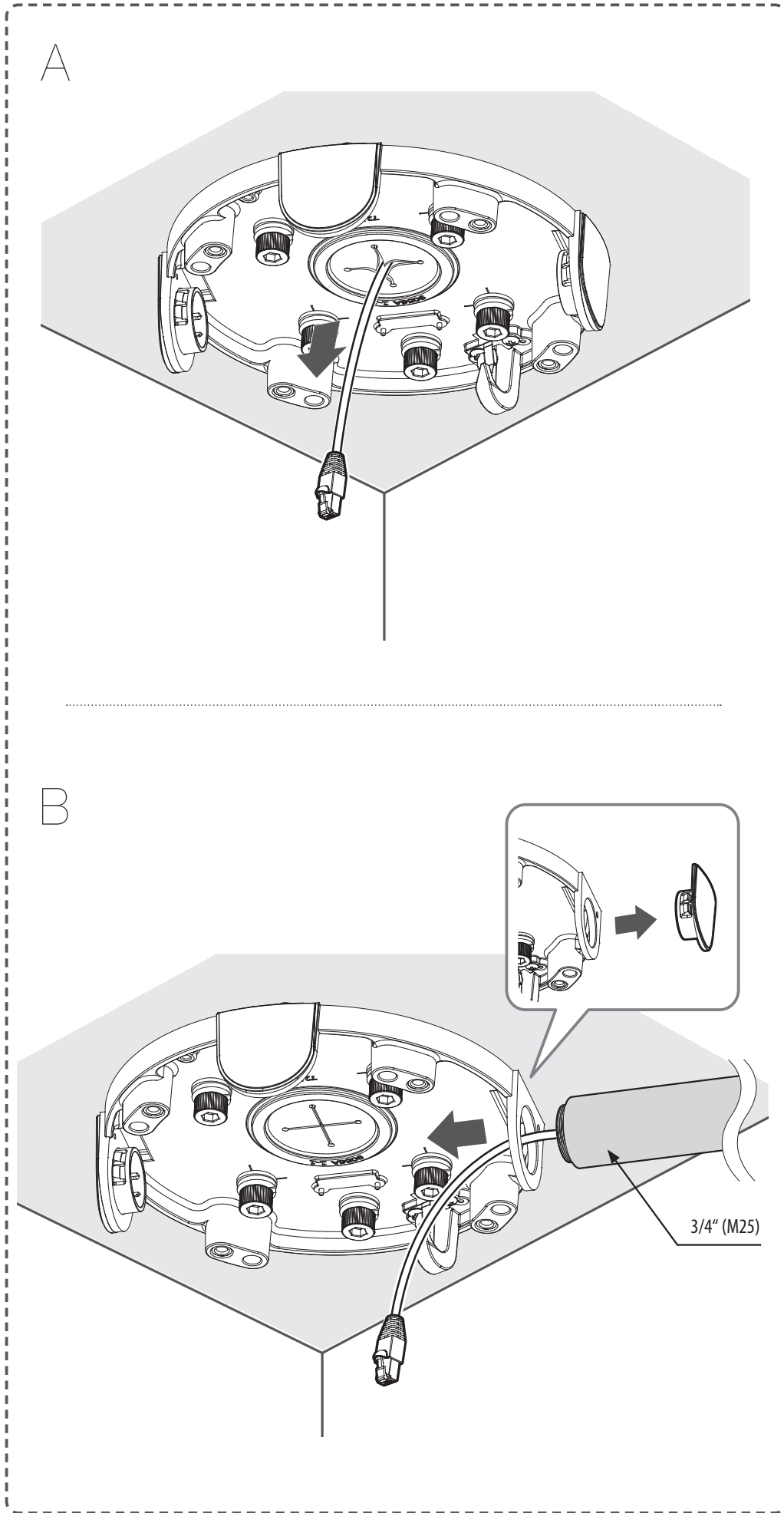
2



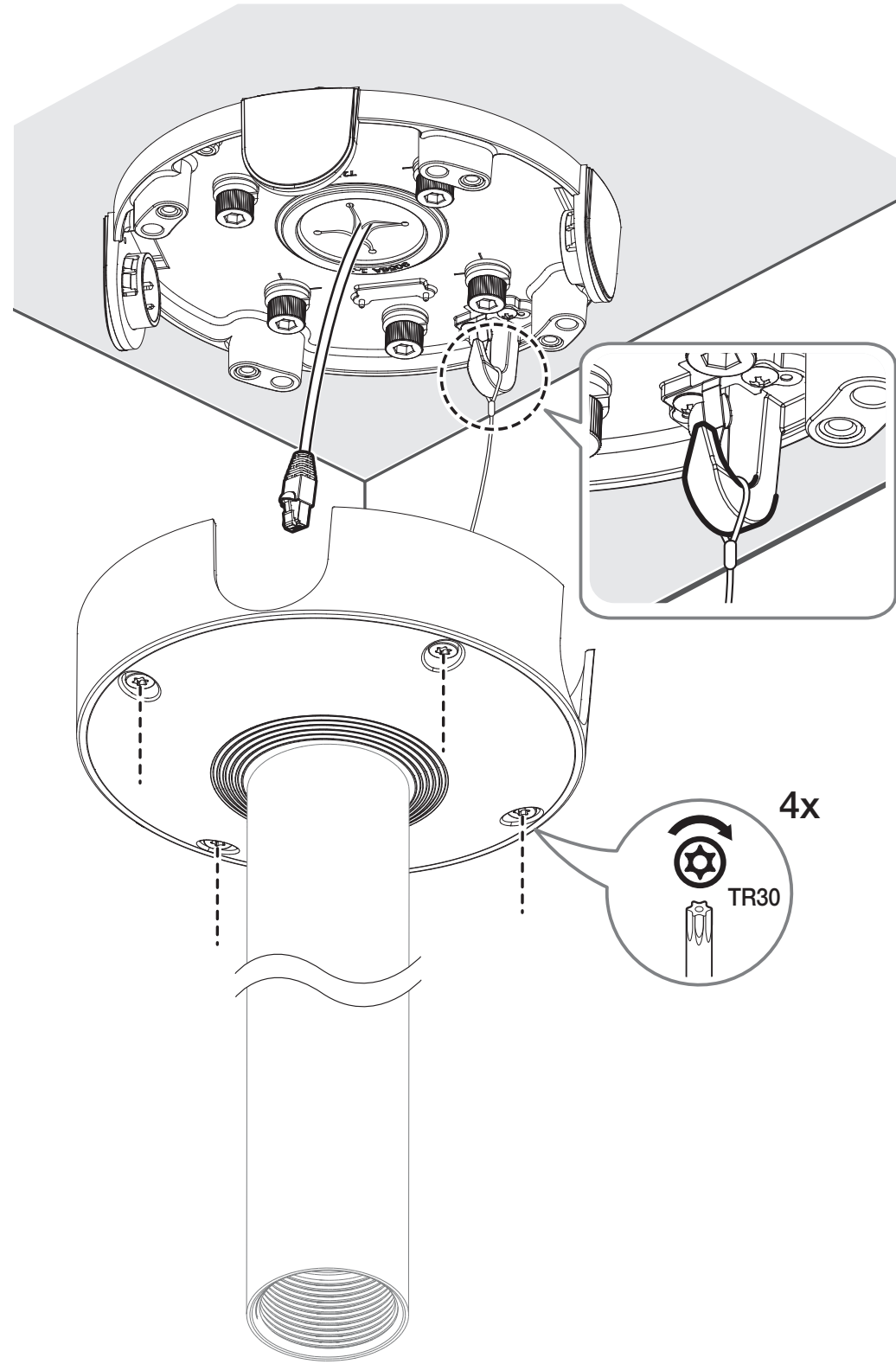
3



4



5



6

