

# Corner Mount Pole Mount

SBD-140KMB  
SBD-140PMB

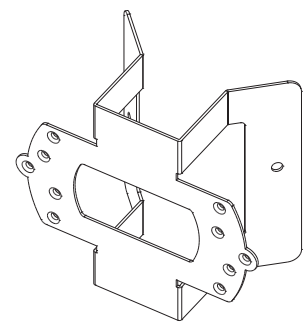


## Installation Precautions

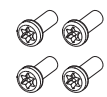
- Make sure that the installation place can endure at least 4 times of the total weight of the Corner/Pole Mount and Camera.
- Corner Mount (SBD-140KMB) is designed to use M4 Screw for the installation.

## Package

SBD-140KMB

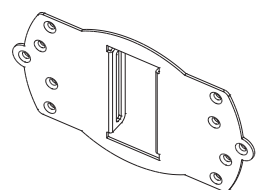


CORNER MOUNT



SCREW (4EA)

SBD-140PMB

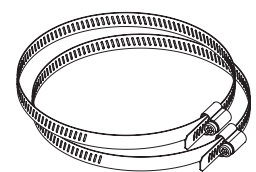


POLE MOUNT



SCREW (4EA)

### Optional Accessory

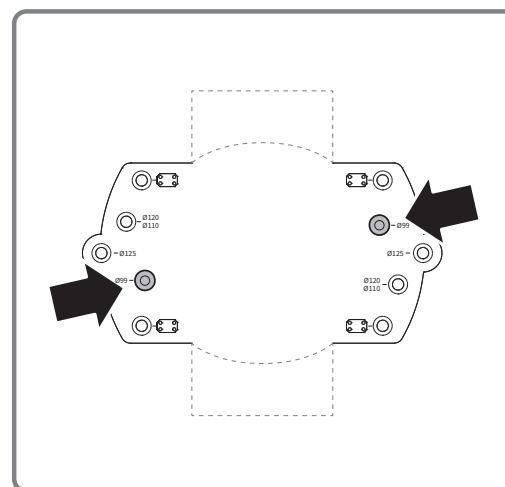


STEEL STRAP  
(SBP-060S/150S)

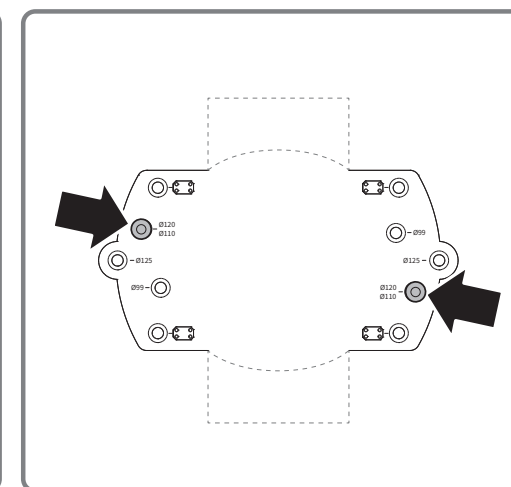
## Mounting Hole by Camera Size

SBD-140KMB / SBD-140PMB

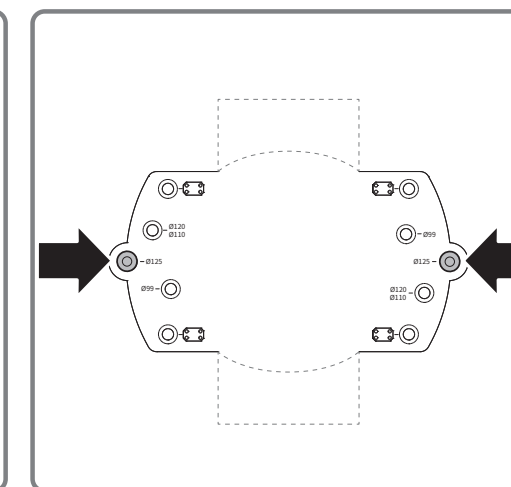
ø99 (mm)



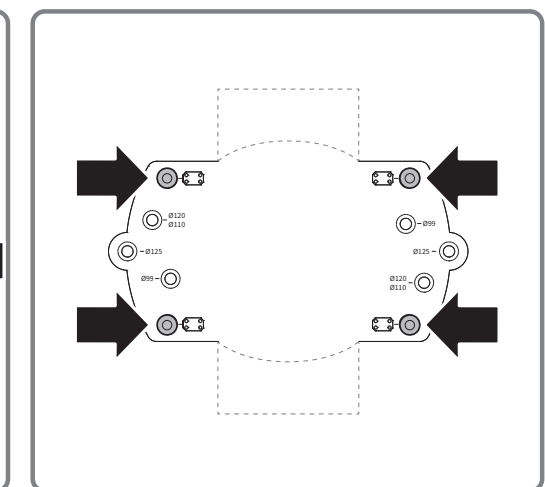
ø110 ~ 120 (mm)



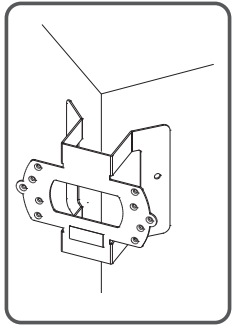
ø125 (mm)



ø130 ~ 140 (mm)



4x  DOUBLE

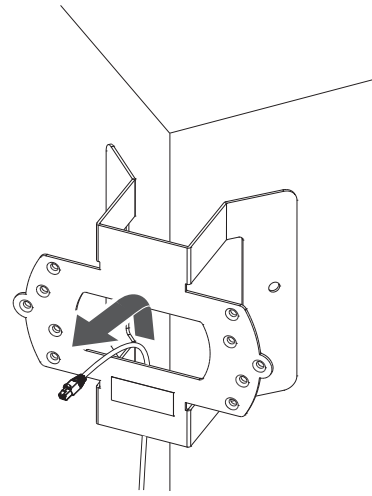
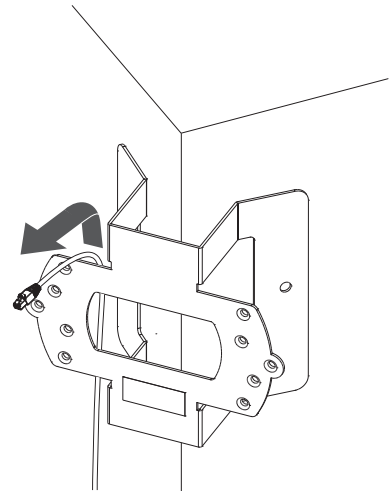


1-1

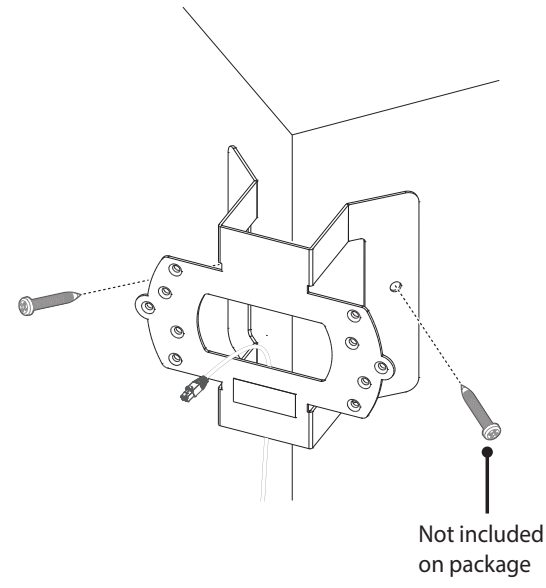
Ø99 or Ø110~120 (mm)

Ø125 or Ø130~140 (mm)

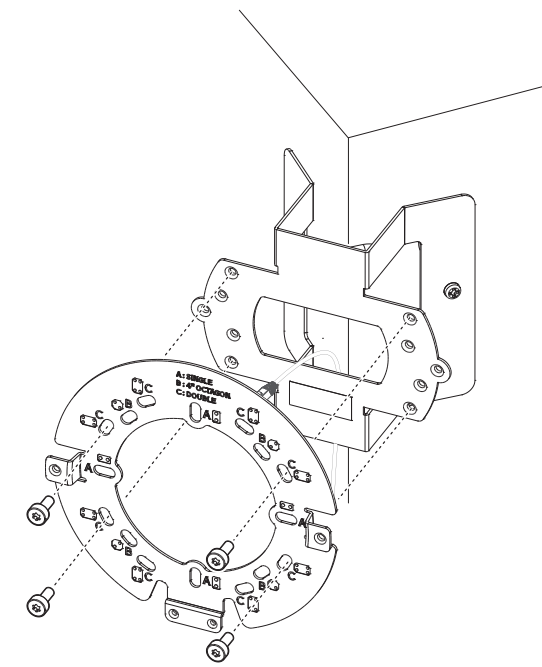
(Corner)



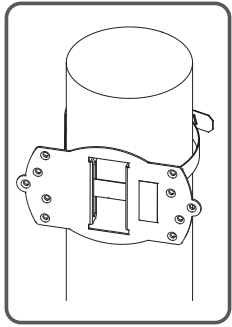
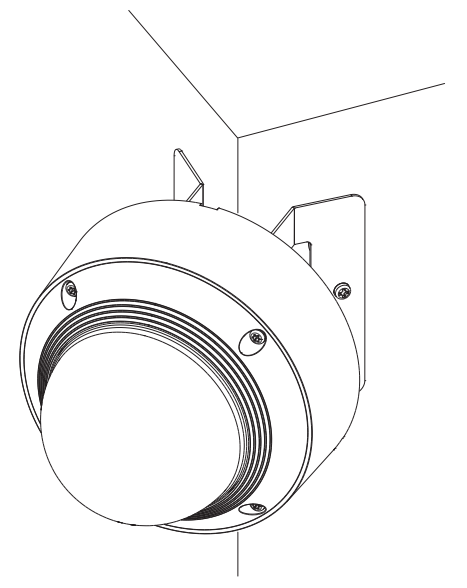
1-2



1-3



1-4

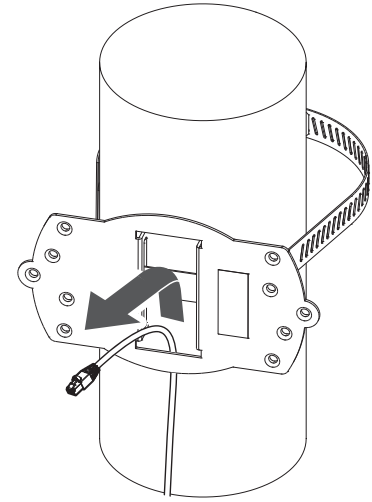
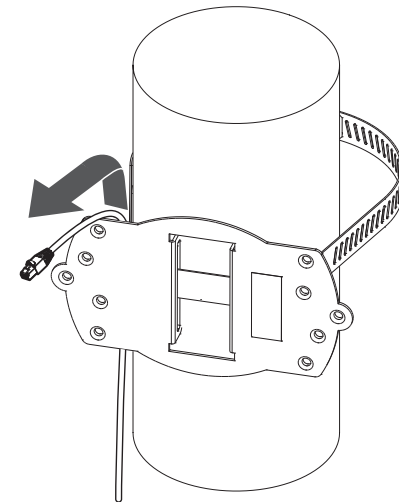


2-1

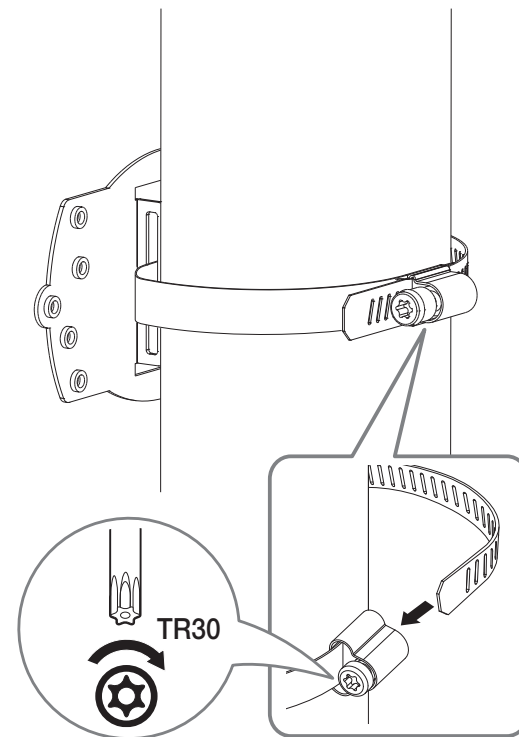
Ø99 or Ø110~120 (mm)

Ø125 or Ø130~140 (mm)

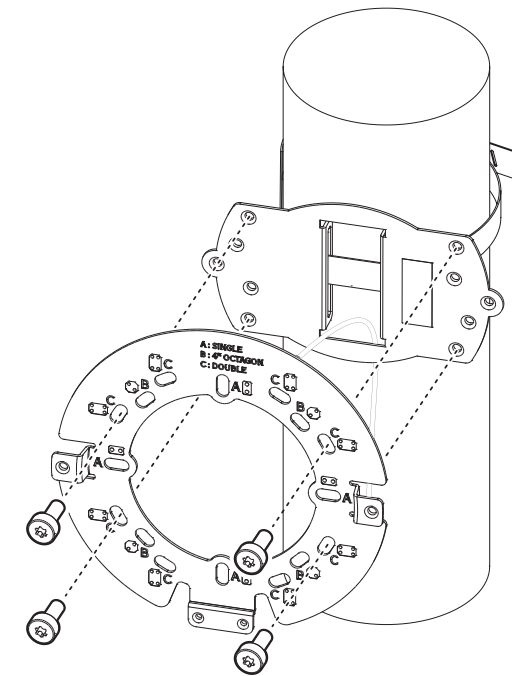
(Pole)



2-2



2-3



2-4

