

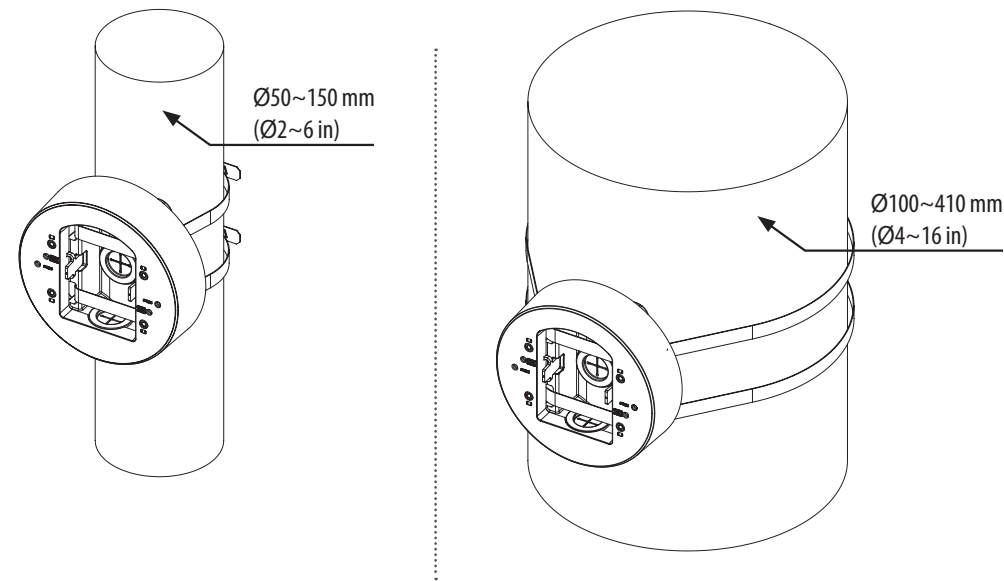
## Pole Mount

SBD-140PMW  
SBD-180PMW



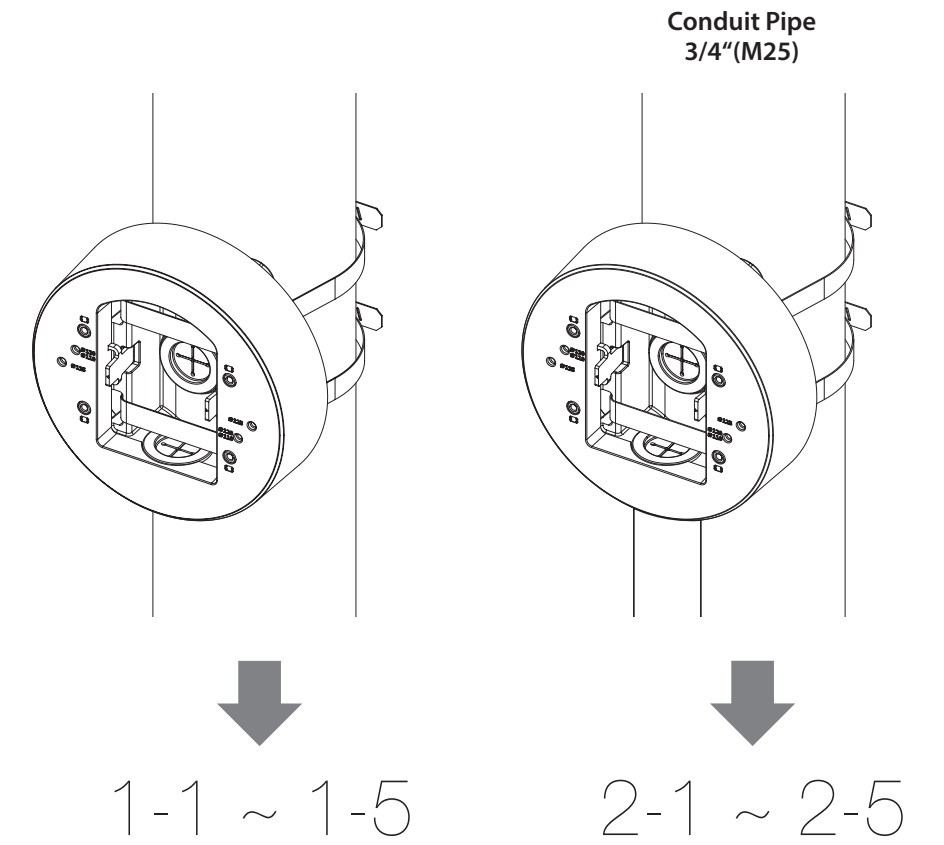
### Installation Precautions

- Make sure that the installation place can endure at least 4 times of the total weight of the Back Box, Camera and Pole Mount.
- When installing the product outdoors, use interlocking devices made of stainless steel.

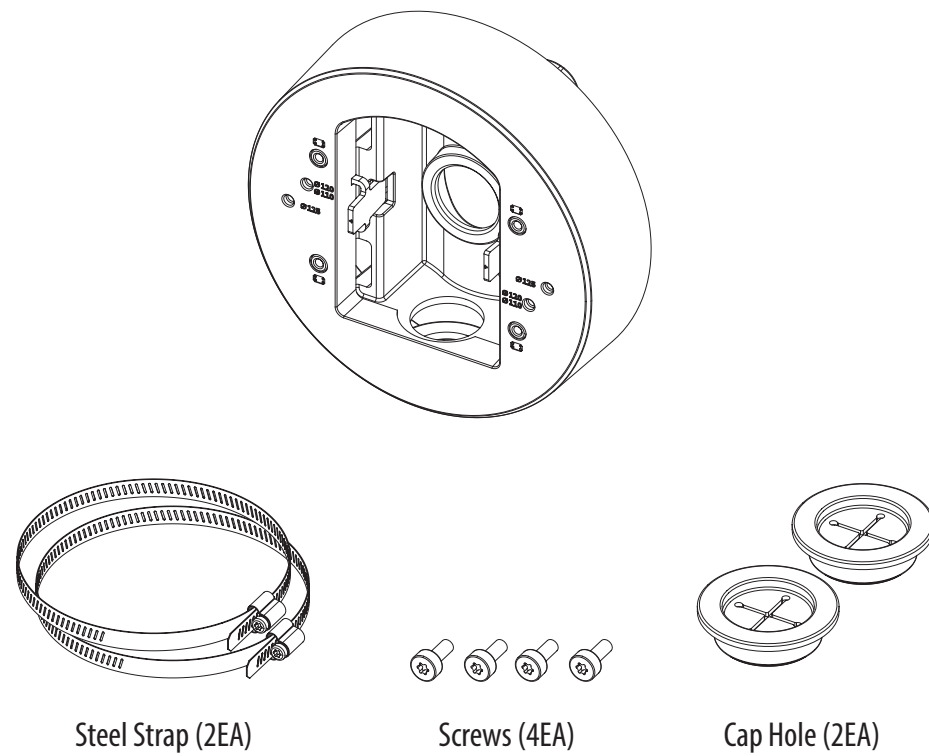


※ Steel Strap needs to be purchased separately.

### Installation



### Package



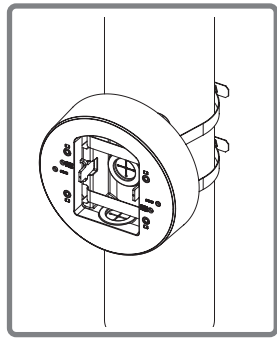
Steel Strap (2EA)

Screws (4EA)

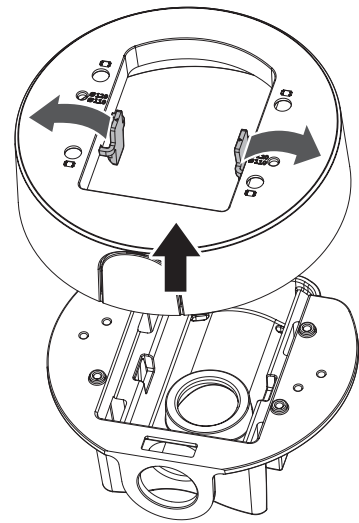
Cap Hole (2EA)

### Mounting Hole by Camera Size

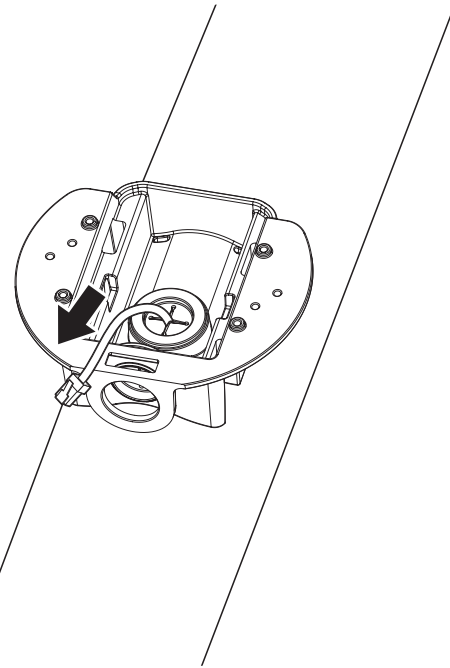
SBD-140PMW		SBD-180PMW	
Ø110~120 (mm)	Ø125 (mm)	Ø130~140 (mm)	Ø147~180 (mm)
		4x  DOUBLE	



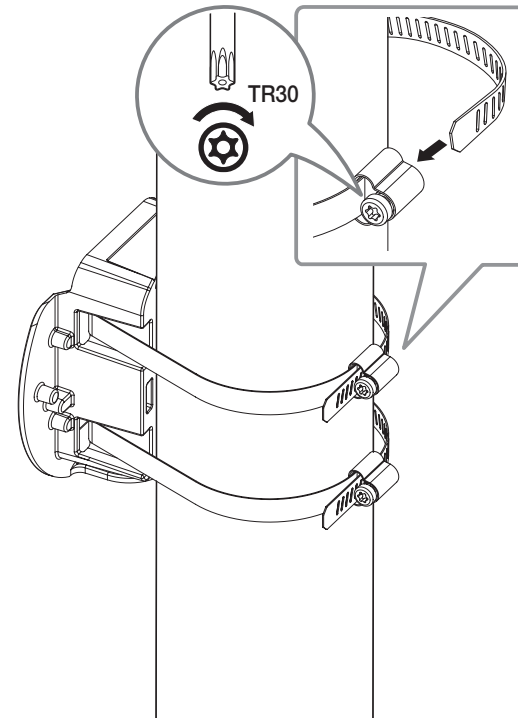
1-1



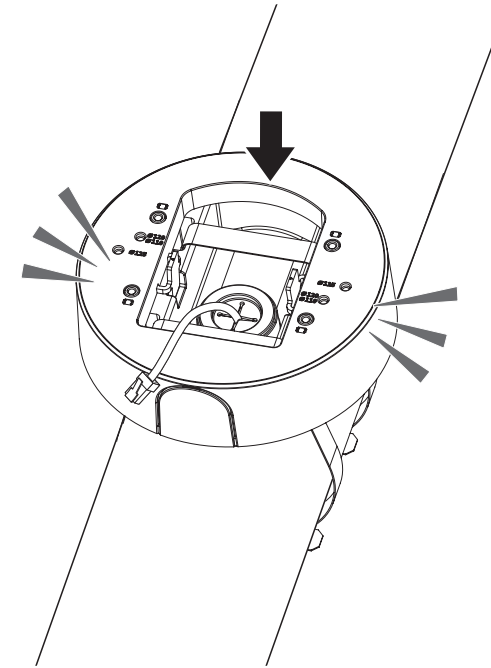
1-2



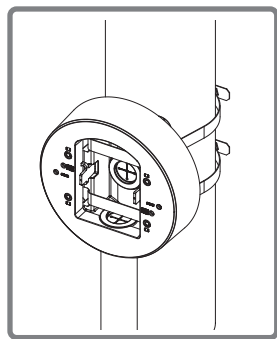
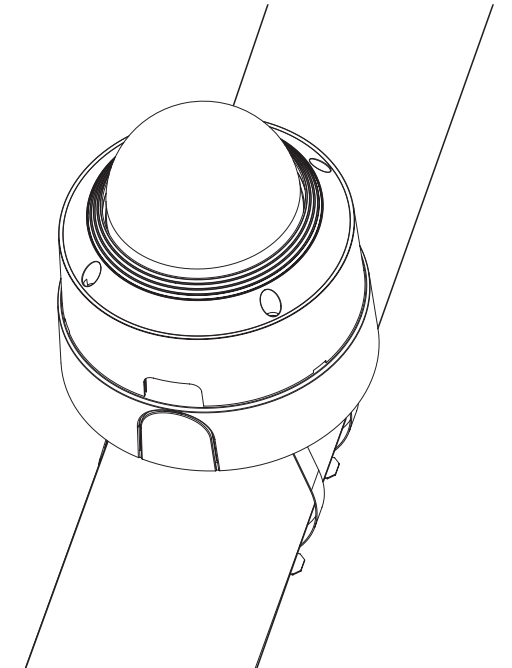
1-3



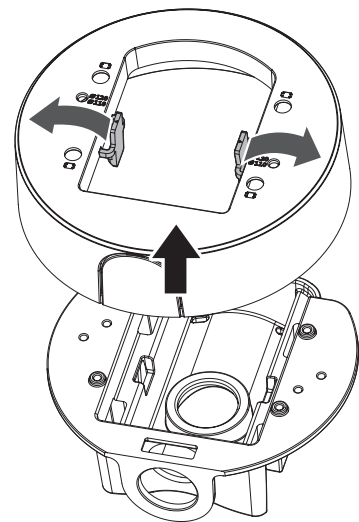
1-4



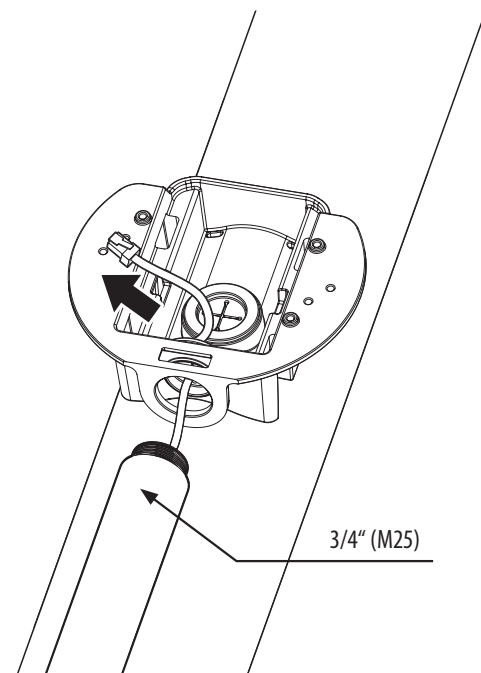
1-5



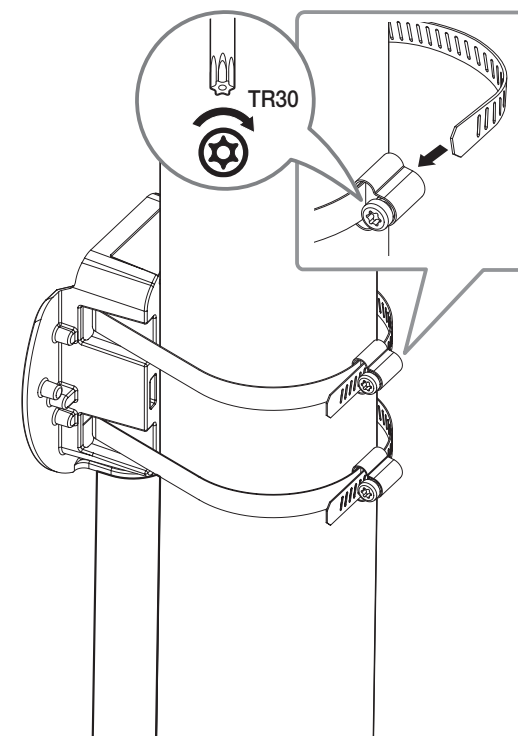
2-1



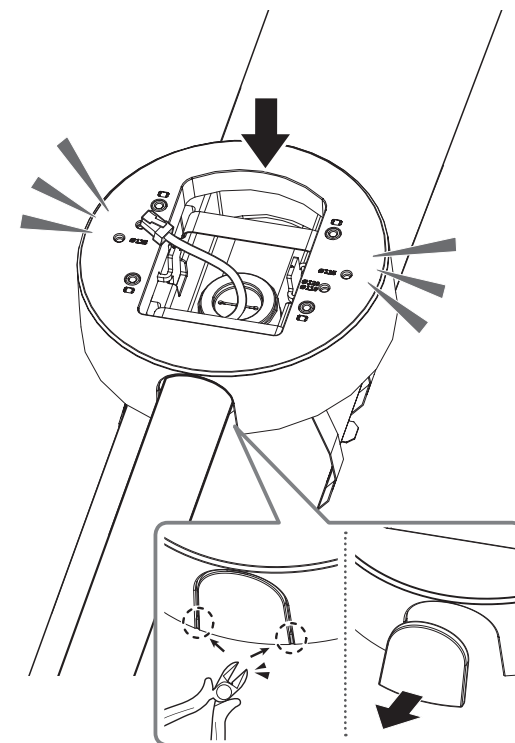
2-2



2-3



2-4



2-5

