

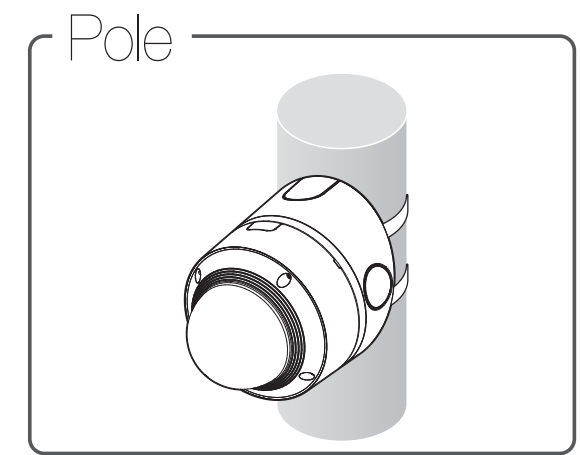
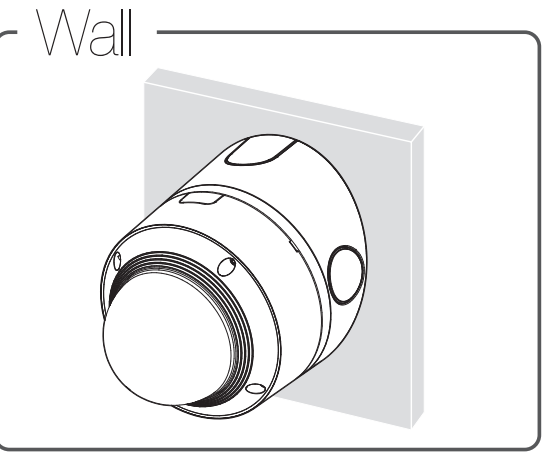
# Tilt Mount

SBV-140TMW

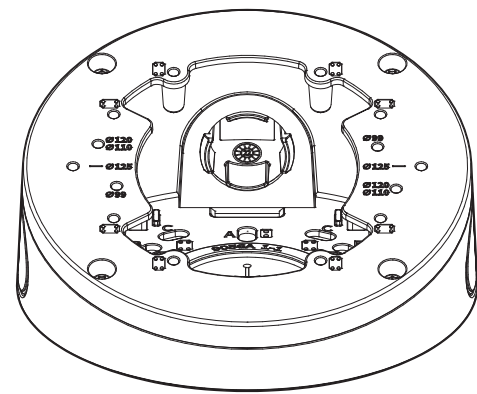


## Installation Precautions

- Make sure that the installation place can endure at least 4 times of the total weight of the Tilt Mount and Camera.
- When installing the product outdoors, use interlocking devices made of stainless steel.



## Package



TILT MOUNT



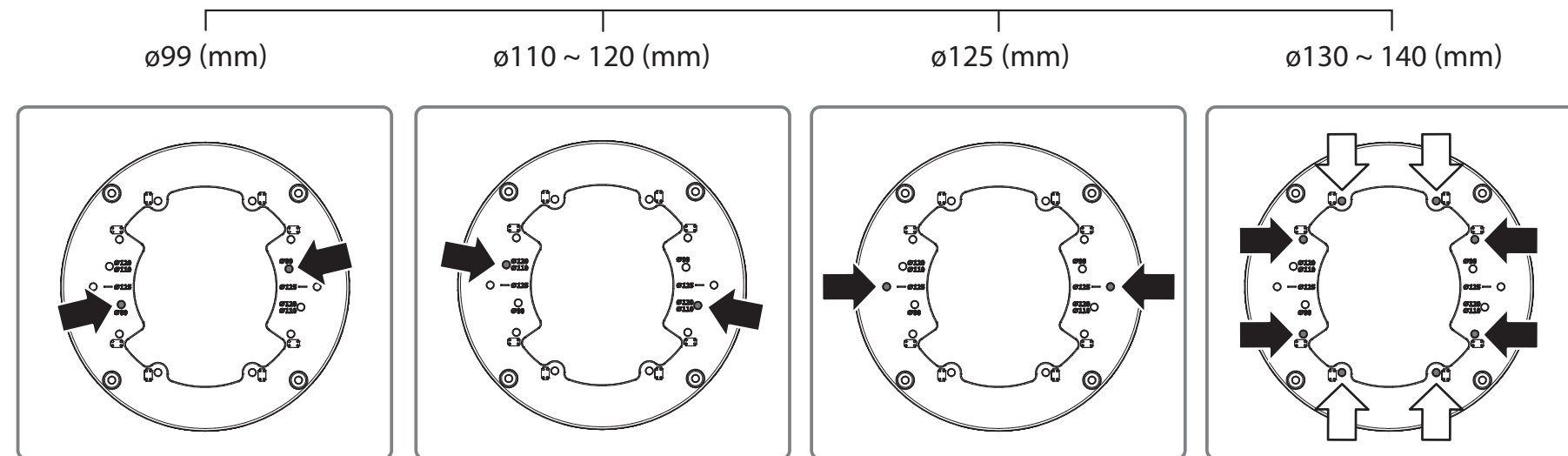
SCREW (4EA)



COVER-HOLE

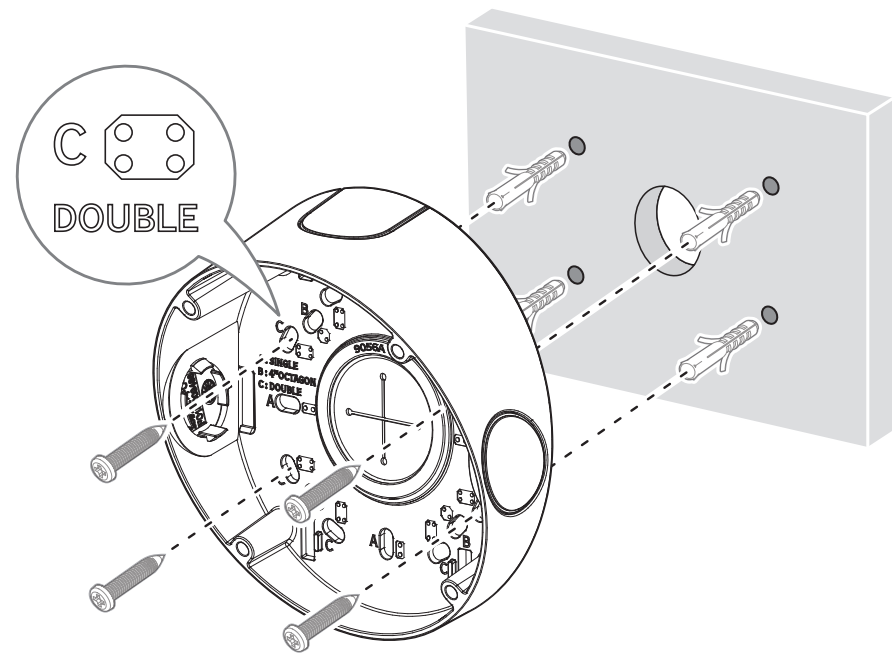
## Mounting Hole by Camera Size

SBV-140TMW



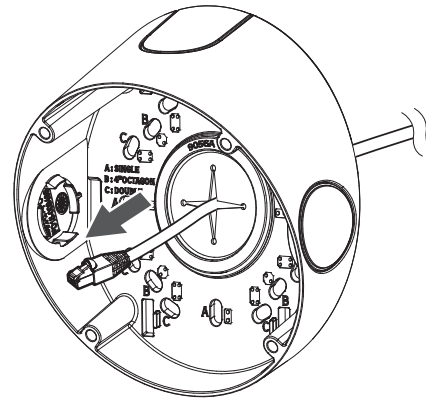
4x DOUBLE

1 (Wall)

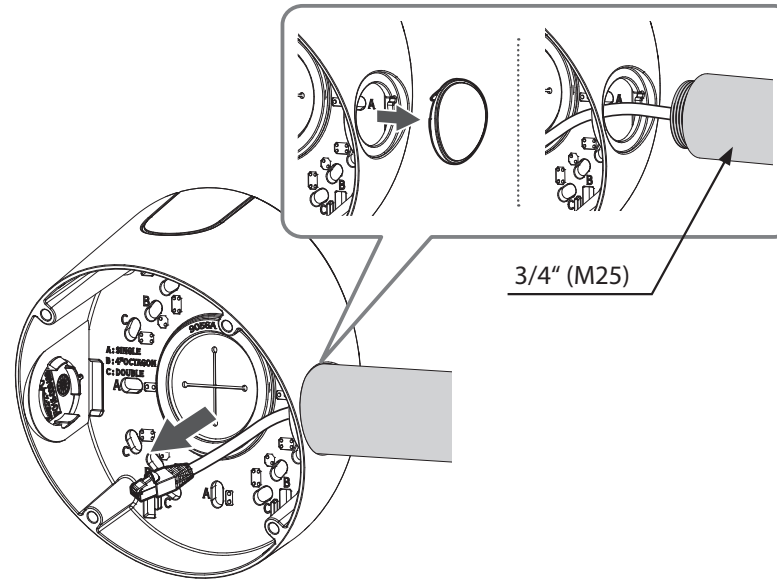


2

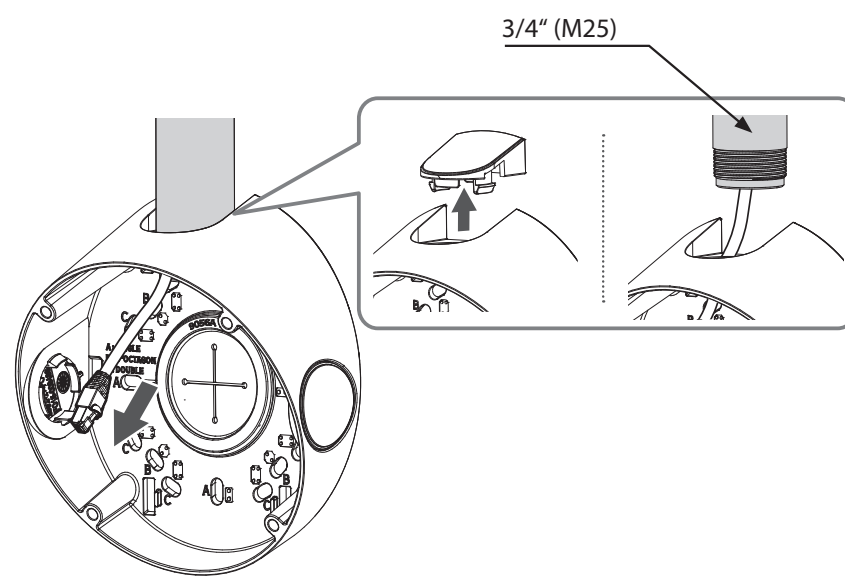
A



B

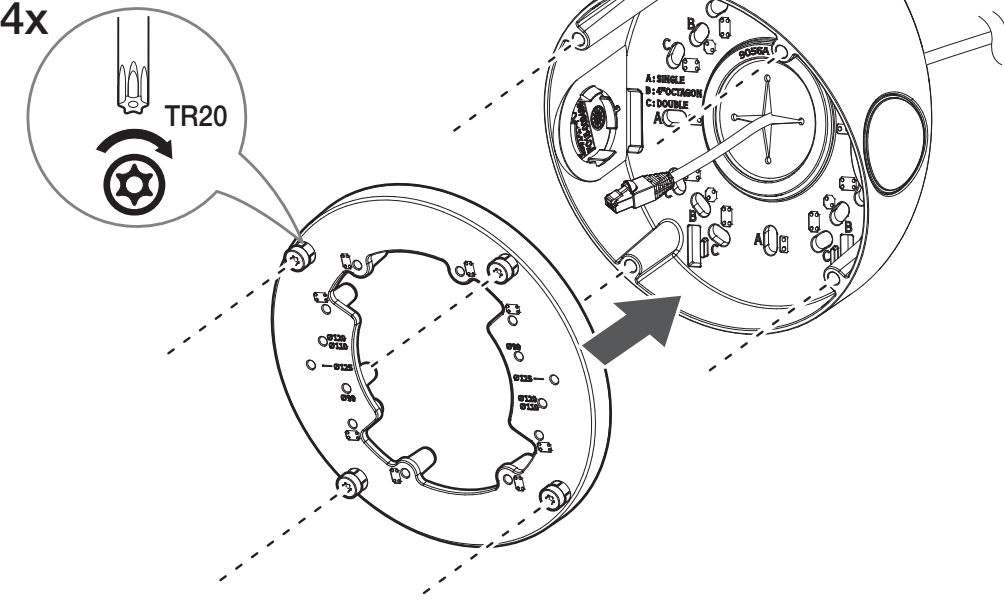


C



3

4x



4

(Pole)

