



ATEX & IECEx RFID SERIES

ATEX & IECEx HIGH SECURITY READER

IDENTIFICATION IN EXPLOSIVE ATMOSPHERES



BENEFITS

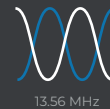
- Secure RFID identification
- ATEX & IECEx certified reader
- Simplified configuration by card or protocol



Supported by
SIA



Supported by
SPAC
Smart Proximity Access Control



13.56 MHz



TTL
RS232
RS485



Resistance
certified
IP66



IK10

ATEX & IECEx certified, the ATX 13.56 MHz reader is specially designed for all your high security access control and contactless identification applications in explosive environments.

WELCOME TO HIGH SECURITY

The ATX reader supports the latest MIFARE® DESFire® EV3 contactless technologies with their new data security features:

- **Secure Messaging EV2:** transaction security that protects against interleaving and replay attacks.
- **Proximity Check:** protection against relay attacks.

It allows the use of public security algorithms recognized by specialized and independent organizations in information security (ANSSI and FIPS).

A CUSTOMIZED SCALABLE CONFIGURATION

The ATX reader can be customized to meet your needs: all the features and security levels of the readers in your organization can be upgraded - by RFID card or protocol.

OPEN TECHNOLOGY FOR EASY INTEGRATION

The reader is compatible with all access control systems and accepts multiple interfaces and protocols (Wiegand, Clock & Data, RS232, SSCP® v1 & v2 and OSDP™ v1 & v2).

STANDING THE TEST OF TIME

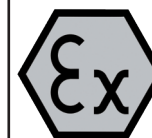
The Ex II 2 GD IP66 explosion-proof enclosure of the ATX reader makes it extremely robust in harsh environments (IP66 certified) as well as highly resistant to vandalism (IK10 certified).

ATEX & IECEx CERTIFIED READER

The 13.56 MHz ATX reader is ATEX (EN60079) & IECEx certified and complies with both European Directives (99/92/CE and 94/9/CE).

It is used to control people's access to high-security areas in:

- the chemical and petrochemical industries,
- oil and gas refineries,
- nuclear power plants,
- mines.



Marking T5

EC-type examination certificate:
INERIS I3 ATEX 0021X
Approved type: GUB Ex II 2 GD
(G: Gas / D: Dust)
II 2G Ex d IIC T5 Gb
II 2D Ex tb IIIC T100°C Db IP66

SPECIFICATIONS

Operating frequency/standards	13.56 MHz: ISO14443 types A & B, ISO18092
Chip compatibility	MIFARE® Ultralight® & Ultralight® C, Classic & Classic EV1, Plus® (S/X) & Plus® EV1, DESFire® 256, EV1, EV2 & EV3, PicoPass® (only CSN), iCLASS™ (only CSN*)
Functions	Read only CSN, secure (file, sector) and secure protocol (Secure Plus) / Controlled by protocol (read/write)
Communication interfaces & protocols	TTL Clock&Data (ISO2) or Wiegand output (encrypted option - S31) / RS485 output (encrypted option - S33) and RS232 output with secure SSCP® v1 and v2 communication protocols, OSDP™ v1 (plain communication) and v2 (SCP secure communication) Compatible with EasySecure interface
Reading distances*	Up to 4 cm / 1.57" with a MIFARE® DESFire® EV3 card
Light indicators	2 RGB LEDs - 360 colors ▲ ▲ ▲ Configuration by RFID card, software or external command (0V) according to the interface
Power requirement	130 mA / 12 VDC max
Power supply	7 VDC to 28 VDC
Connections	10-pin plug-in connector (5 mm / 0.2") / 2-pin plug-in connector (5 mm / 0.2"): O/C contact - Tamper detection signal 2 PE PAP-R0 M20 cable glands for external shielded cables. 10-19 mm
Material	Marine grade copper free aluminium, Epoxy grey RAL 9006
Dimensions (h x w x d) / Weight	310 x 270 x 174 mm / 12.2" x 10.6" x 6.8" - 13.5 kg / 458.5 oz
Operating temperatures	- 20°C to + 70°C / - 4°F to 158°F / Supports T5 & T6 environments
Resistance	Ex II 2 GD IP66 explosion-proof enclosure - Resistant to explosions, adverse weather conditions, water and dust IK10 / IEC 60068-2-6 / MIL-STD-810 vandal-resistant reinforced structure
Mounting	4 mounting brackets on the enclosure Compatible with universal VESA 200 x 200 mounting kits (requires a mounting accessory)
Certifications	 CE (Europe), FCC (USA), IC (Canada) and UL ATEX (EN60079) & IECEx
Part numbers	Read only serial number - TTL (Wiegand - Data/Clock).....ATX-R31-E/103-xx/3 Secure Read Only - TTL (Wiegand - Data/Clock).....ATX-R31-E/PH5-xx/3 Secure Read Only / Secure Plus - TTL (Wiegand - Data/Clock).....ATX-S31-E/PH5-xx/3 Secure Read Only - RS232.....ATX-R32-E/PH5-5AB/3 Secure Read Only - RS485.....ATX-R33-E/PH5-7AB/3 Secure Read Only / EasySecure Decoder - RS485.....ATX-R33-E/PH5-7AA/3 Secure Read Only / Secure Plus - RS485.....ATX-S33-E/PH5-7AB/3 Secure Read Only / Secure Plus / EasySecure Decoder - RS485.....ATX-S33-E/PH5-7AA/3 Controlled by SSCP® v1 protocol - RS232.....ATX-W32-E/PH5-5AA/3 Controlled by SSCP® v1 protocol - RS485.....ATX-W33-E/PH5-7AA/3 Controlled by SSCP® v2 protocol - RS485.....ATX-W33-E/PH5-7AD/3 Controlled by OSDP™ v1 & v2 protocol - RS485.....ATX-W33-E/PH5-7OS/3

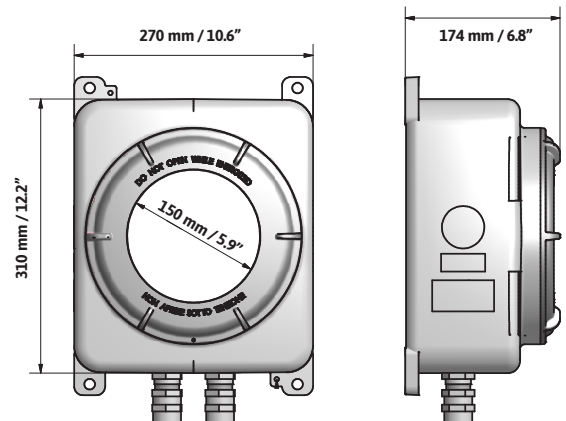
DISCOVER THE COMPANION PRODUCTS



13.56 MHz or dual frequency
ISO cards & key holders



SECARD
SECARD configuration kit and
SSCP® v1 & v2 and OSDP™ protocols



*Our readers only read the iCLASS™ chip serial number / UID PICO1444-3B. They do not read iCLASS™ cryptographic protection or the HID Global serial number / UID PICO1444-3B.

**Caution: information about the distance of communication: measured from the center of the antenna, depending on the type of credential, size of the credential, operating environment of the reader, temperatures, power supply voltage and reading functions (secure reading). External interference may reduce reading distances.

Legal: STid, STid Mobile ID® and Architect® are registered trademarks of STid SAS. All trademarks mentioned in this document belong to their respective owners. All rights reserved – This document is the property of STid. STid reserves the right to make changes to this document and to cease marketing its products and services at any time and without notice. Photos are not contractually binding.

Headquarter / EMEA

13850 Gréasque, France
Tel. : +33 (0)4 42 12 60 60

PARIS-IDF

92290 Châtenay-Malabry, France
Tel. : +33 (0)1 43 50 11 43

STid UK Ltd.

Gallows Hill, Warwick CV34 6UW, UK
Tel. : +44 (0) 192 621 7884

NORTH AMERICA

Irving, Texas 75063-2670, USA
Tel. : +1 877 894 9135

LATIN AMERICA

San Rafael 06470 CDMX, México
Tel. : +52 (55) 5256 4706

MIDDLE EAST

Dubai Digital Park, DSO, UAE
Tel. : +971 521 863 656

info@stid.com
www.stid-security.com