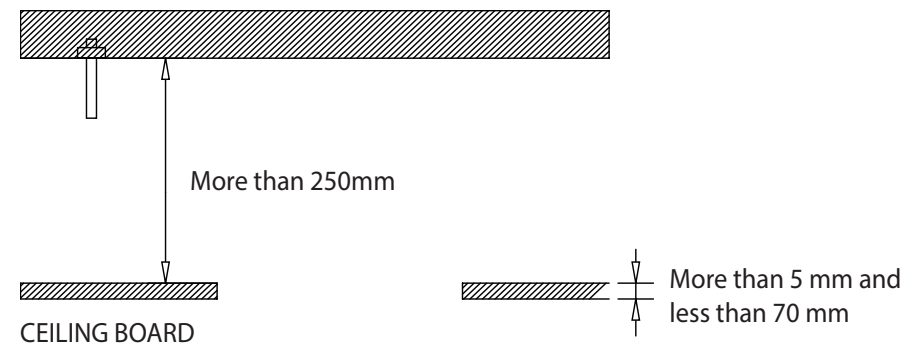


# In-ceiling Mount

SHP-1563FPW  
SHP-1563FW



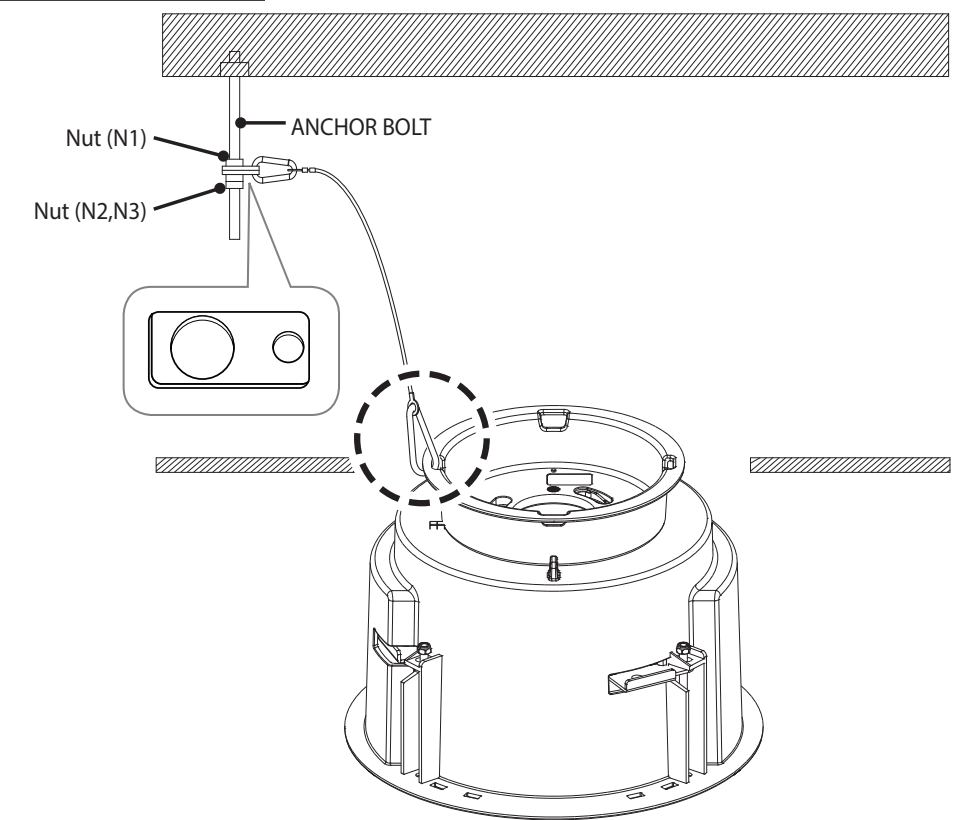
## Installation Precautions



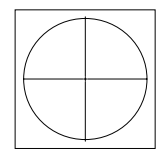
- Make sure that the installation place can endure at least 4 times of the total weight of the installation structure.
- At least 250mm or more of spare height is required above the CEILING BOARD.
- Be sure to secure the Safety Wire to avoid a product fall.
- Use the provided screws to install the Mount and camera.
- CEILING BOARD must be able to sustain the weight of at least 10 kg.

2-A

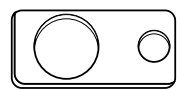
**SHP-1563FW**



## Package



TEMPLATE

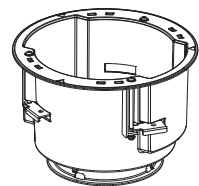


SAFETY BRACKET (1EA)



SAFETY WIRE (1EA)

SHP-1563FW

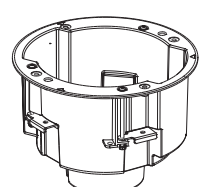


HOUSING



TOP COVER

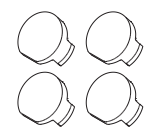
SHP-1563FPW



HOUSING



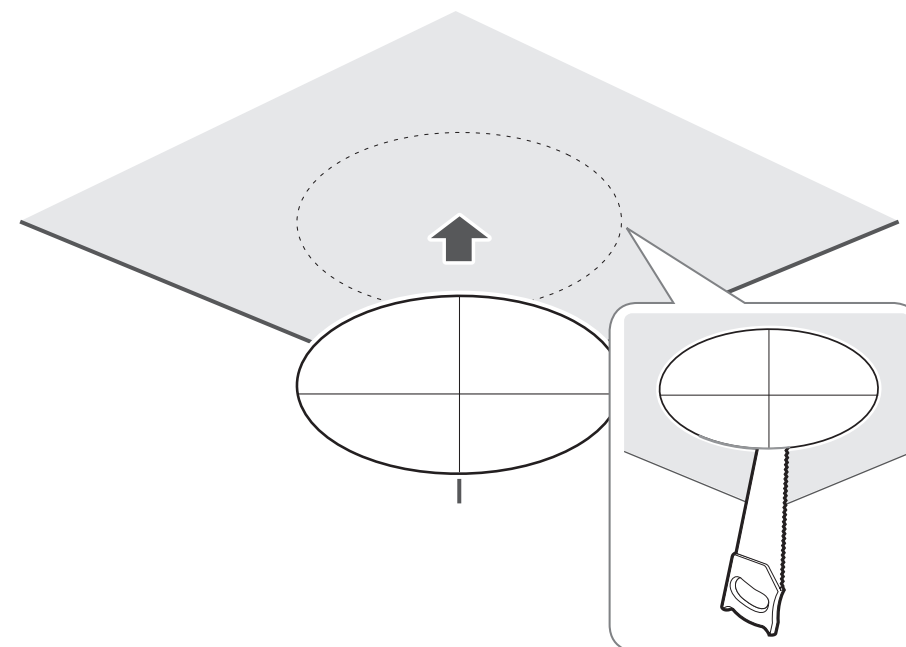
TOP COVER



SCREW CAP (4EA)

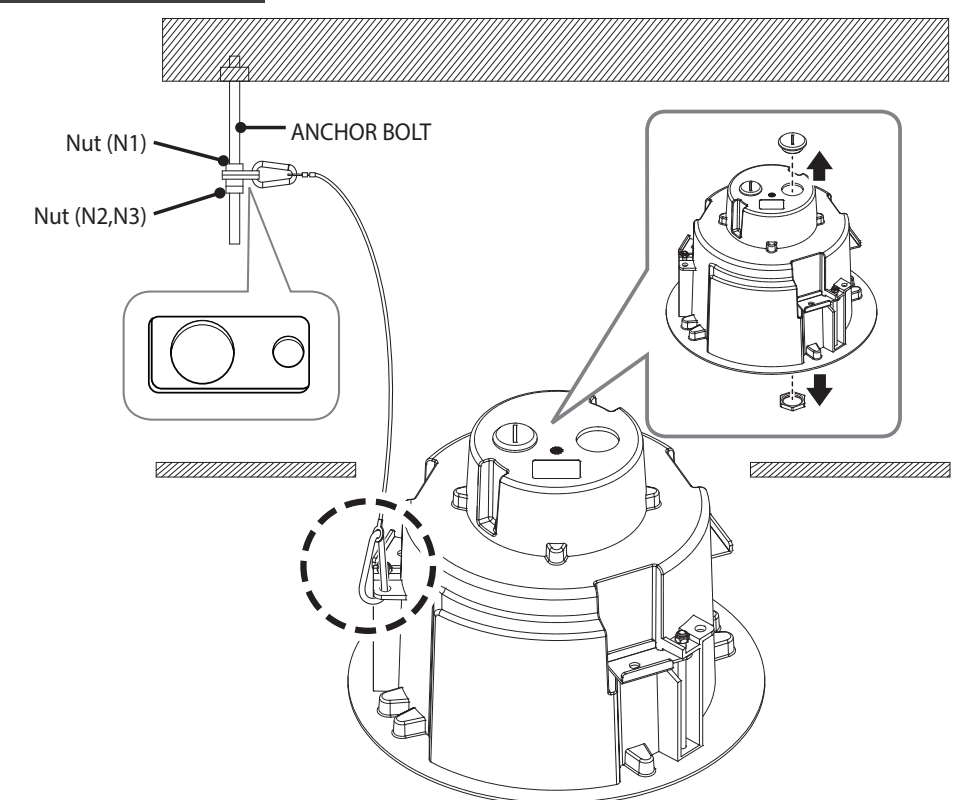
## Installation

1

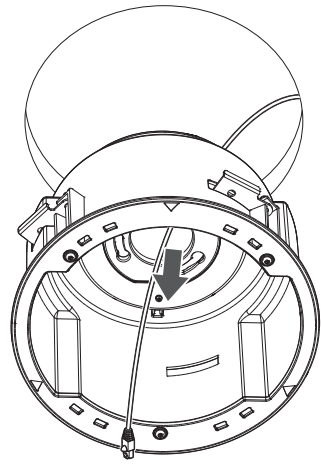


2-B

**SHP-1563FPW**

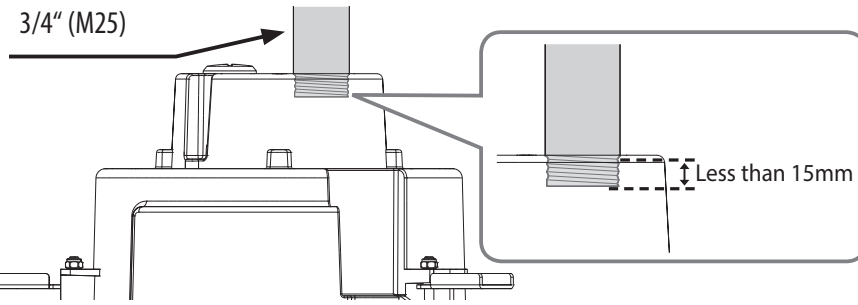


3

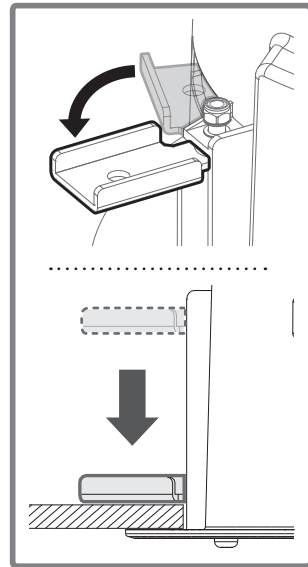
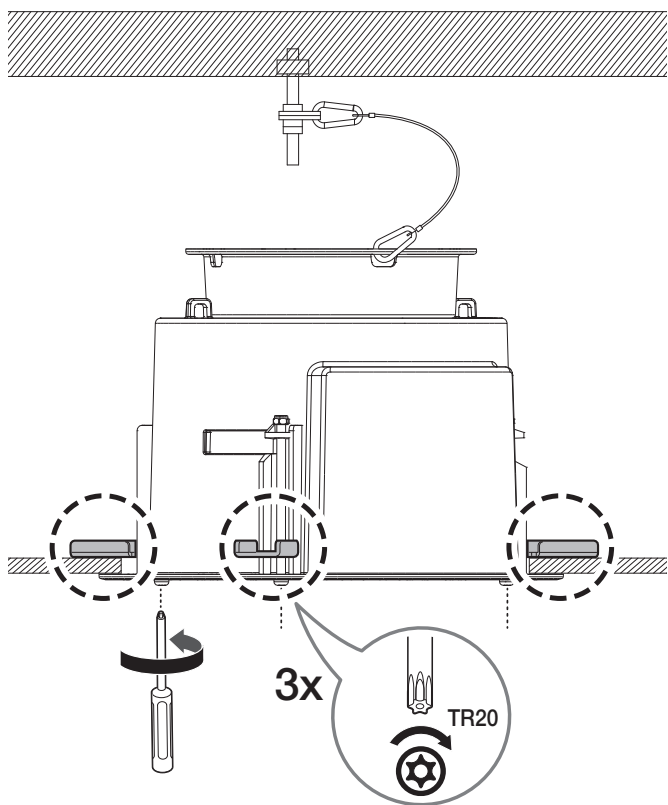


**SHP-1563FPW only**

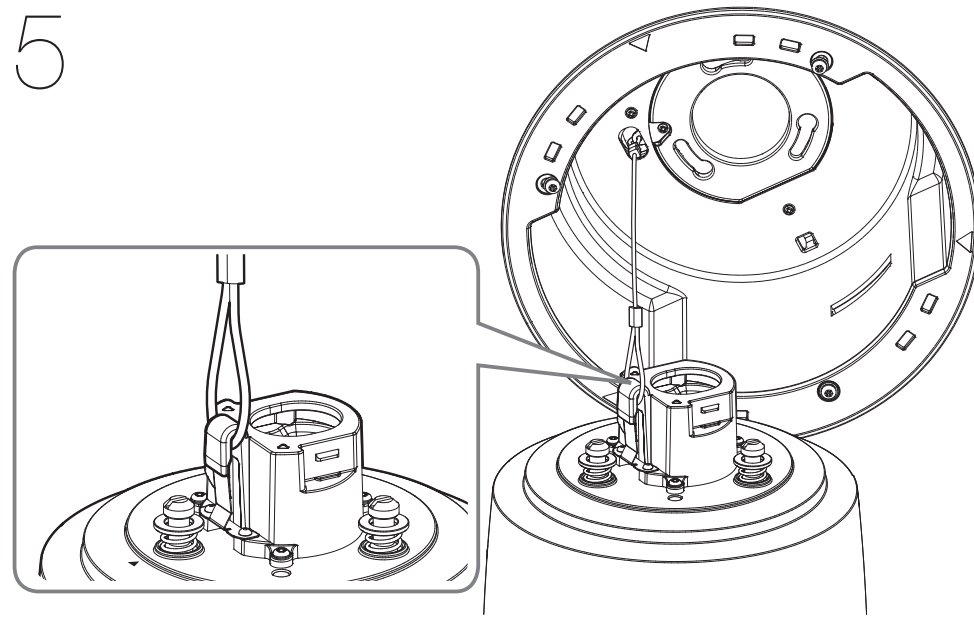
Installing using conduit pipe



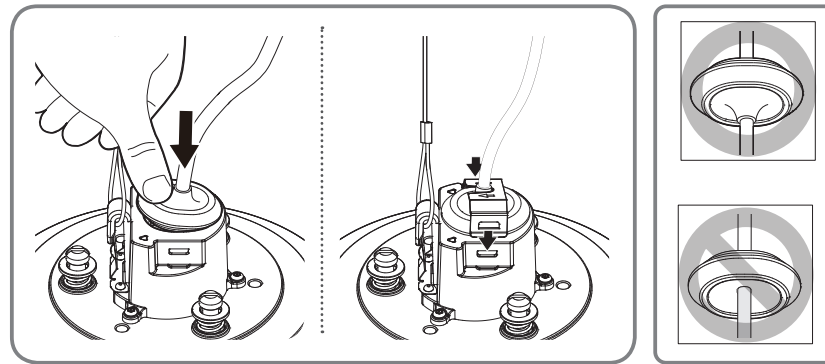
4



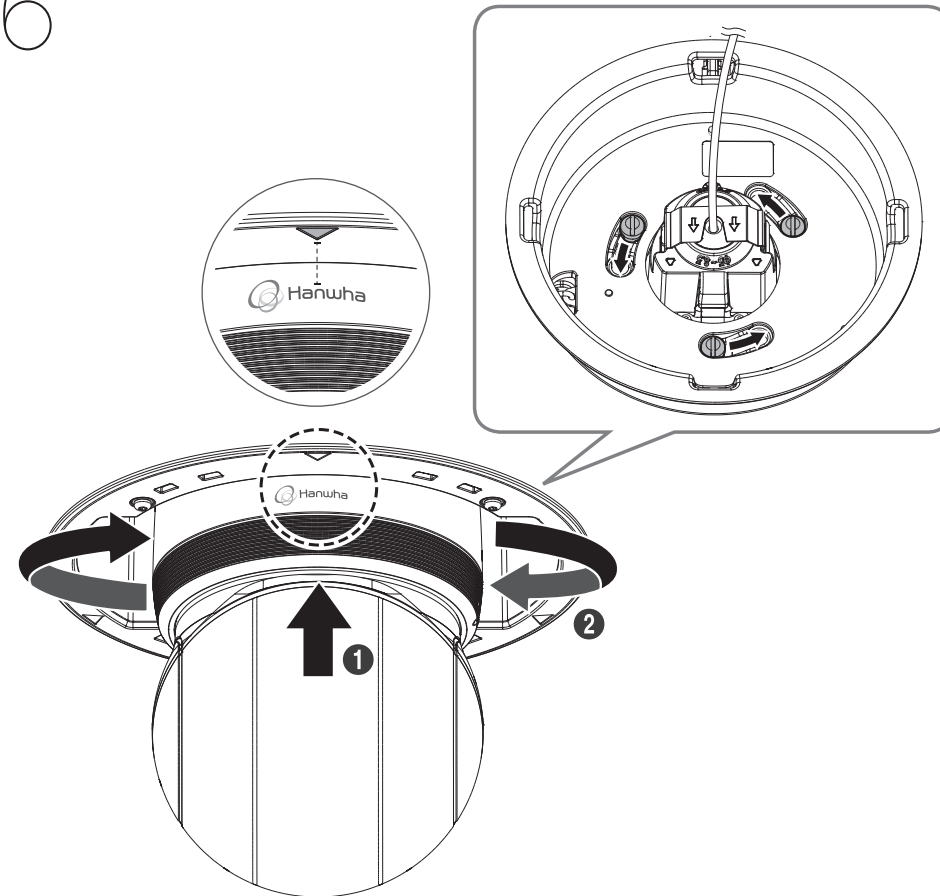
5



PDF  
Camera  
User  
Manual

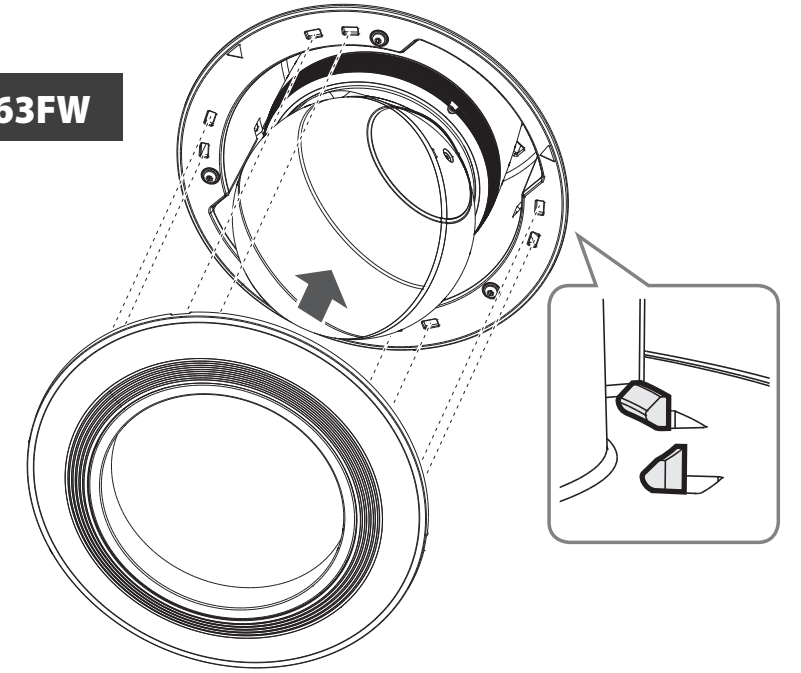


6



7-A

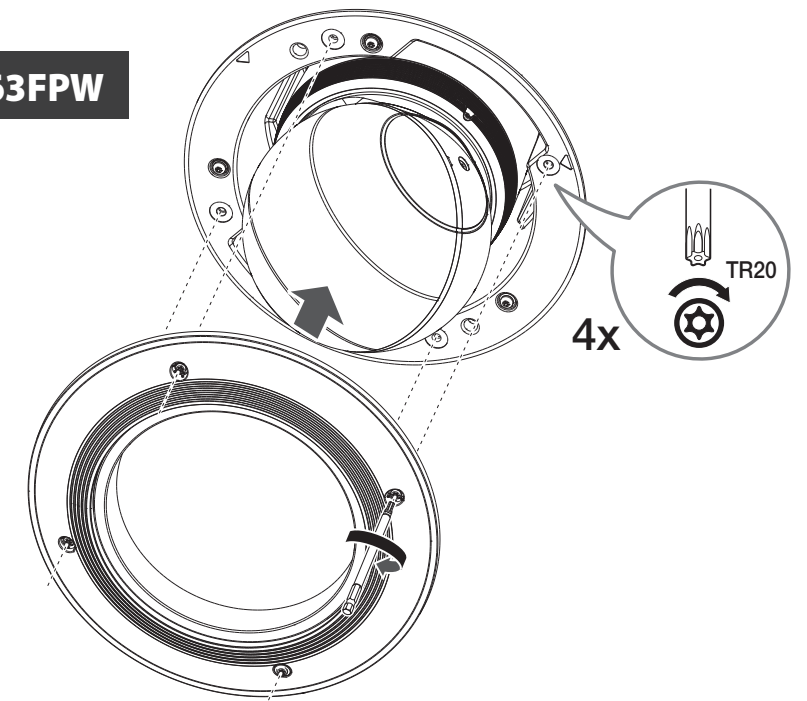
**SHP-1563FW**



7-B

**SHP-1563FPW**

1



2

