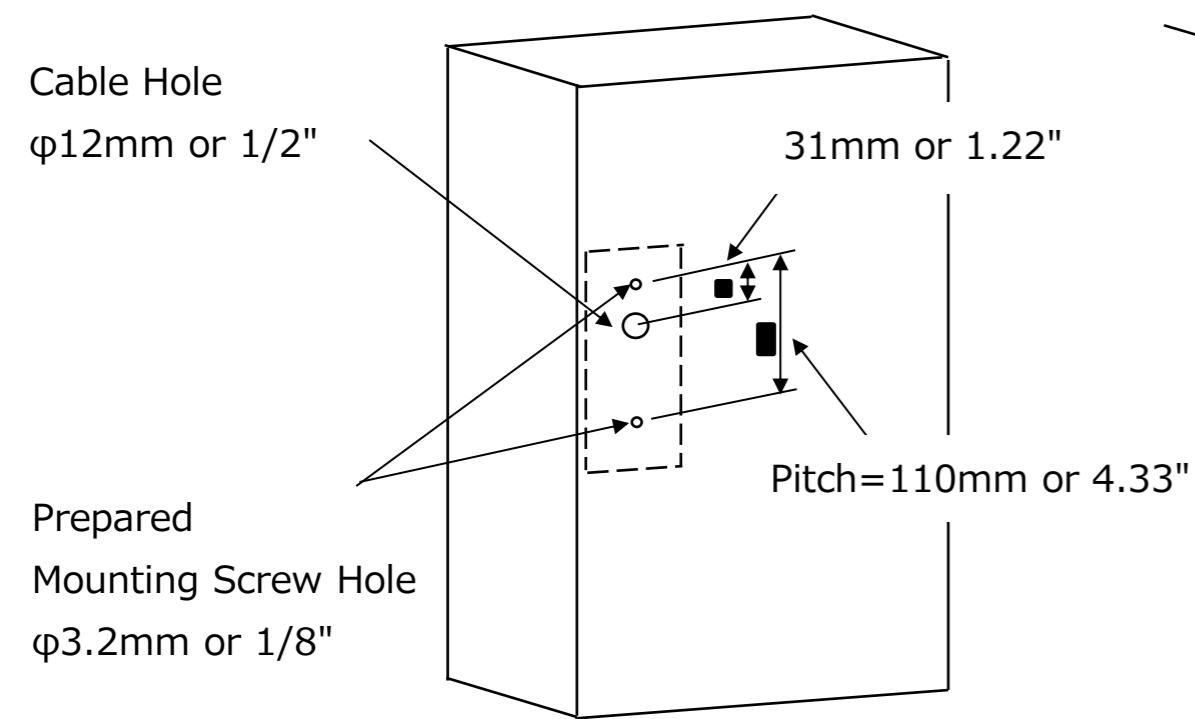


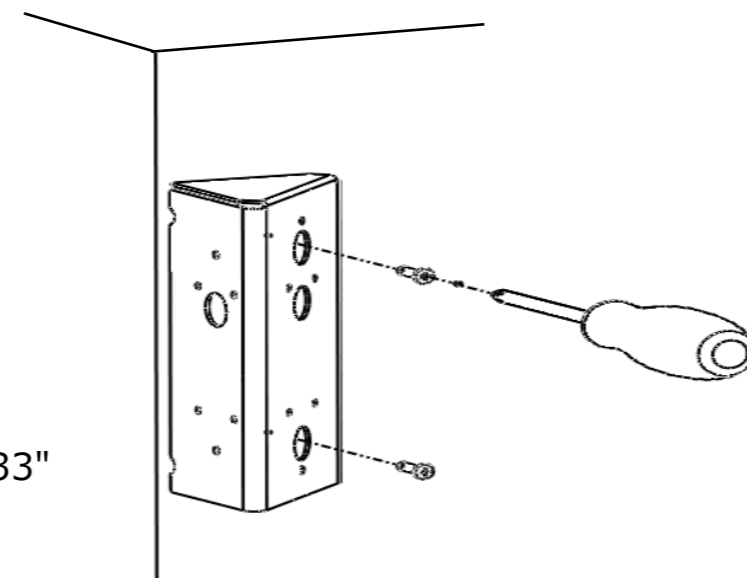
OVS-TB01 TRIANGLE BRACKET

90 degree setting

① Setting Template

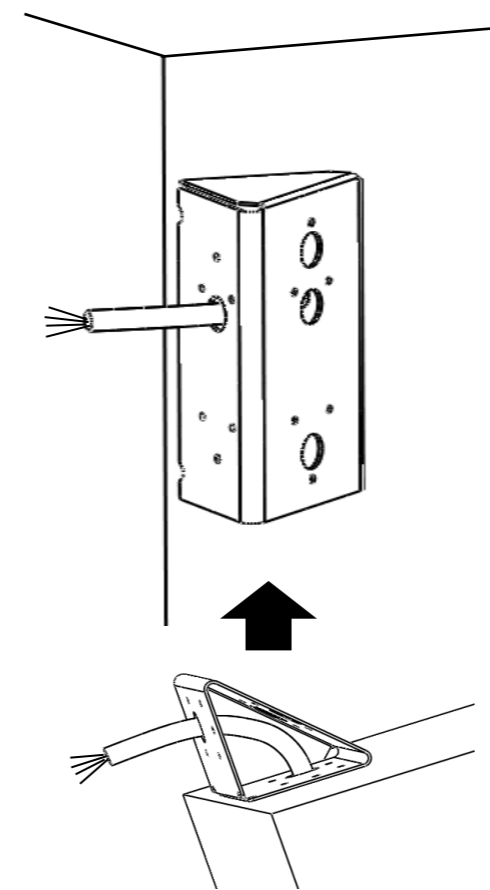


② Attached bracket mounting screw

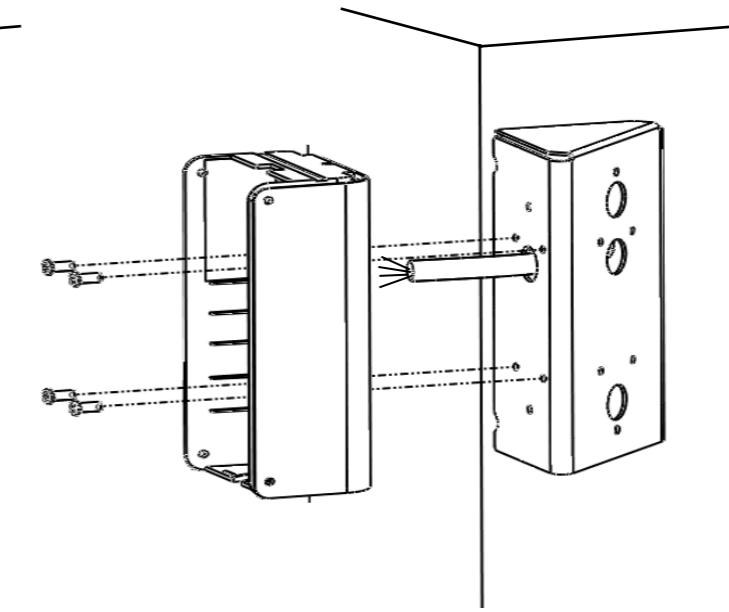


Bracket mounting screw
(included in this kit.)

③ Wiring

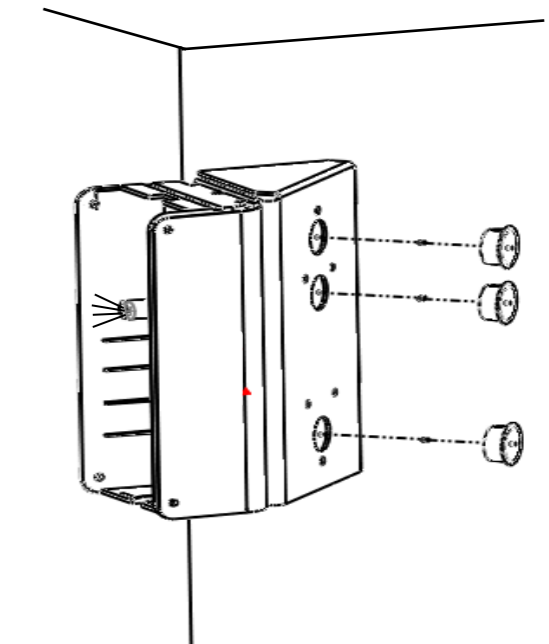


④ Sensor mounting



Sensor mounting screw
(included in sensor box.)

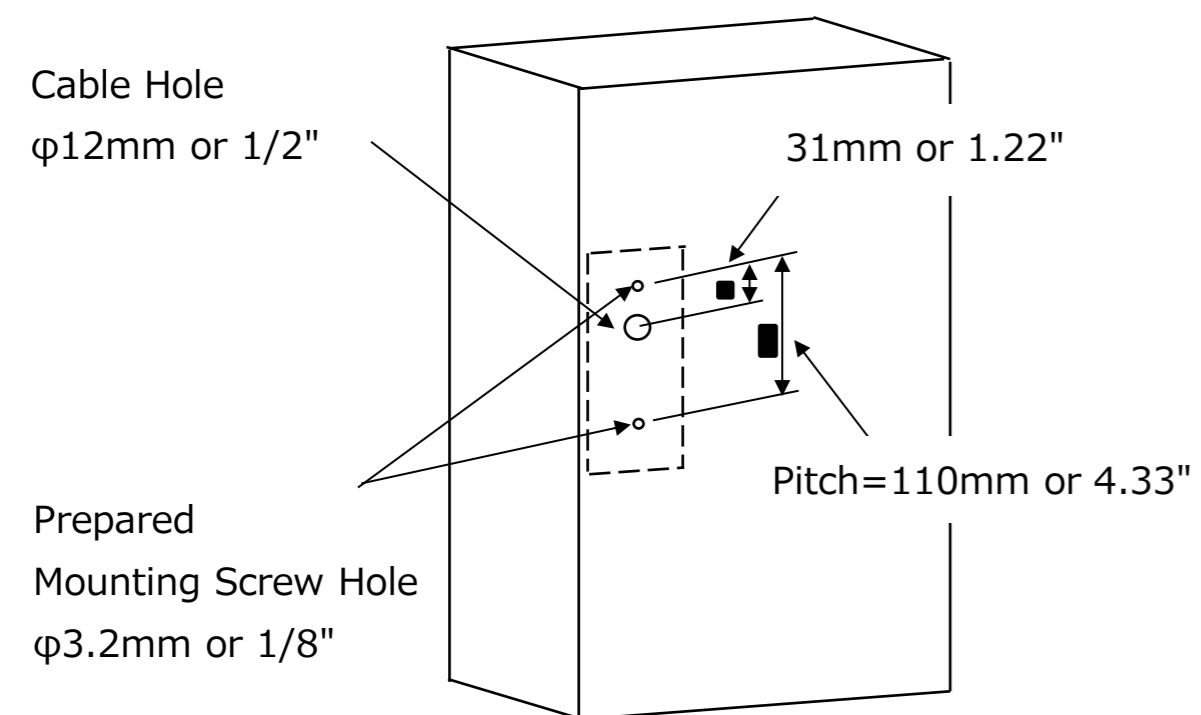
⑤ Attached Hole caps



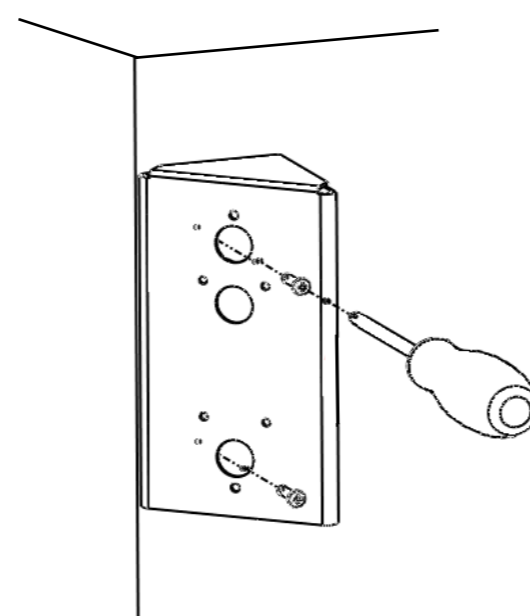
Hole cap × 3 pieces
(included in this kit.)

45 degree setting

① Setting Template

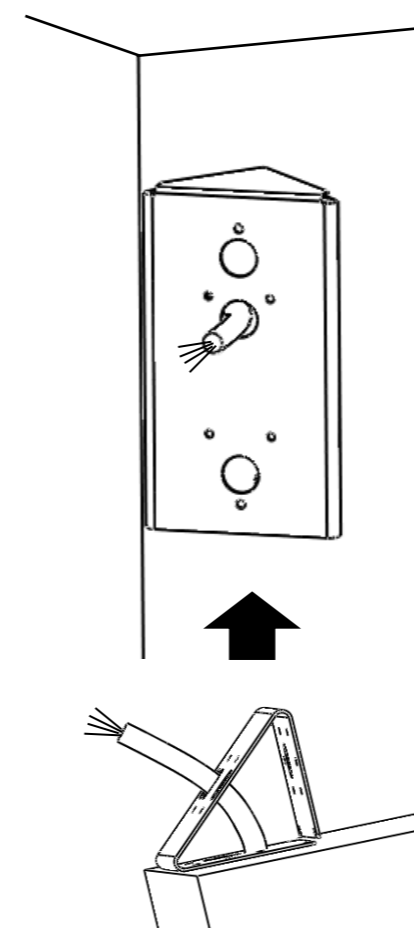


② Attached bracket mounting screw

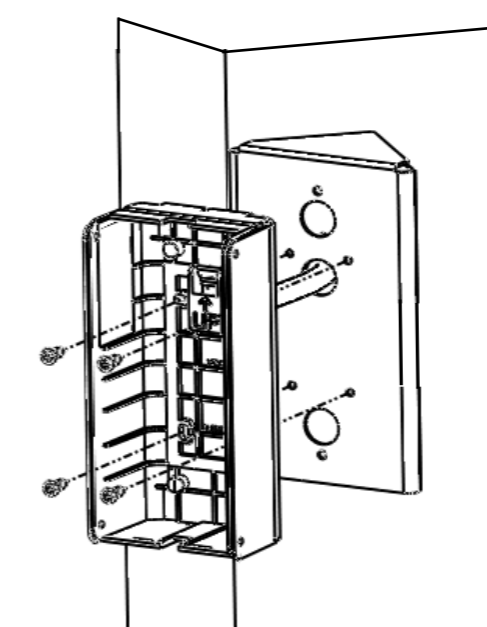


Bracket mounting screw
(included in this kit.)

③ Wiring

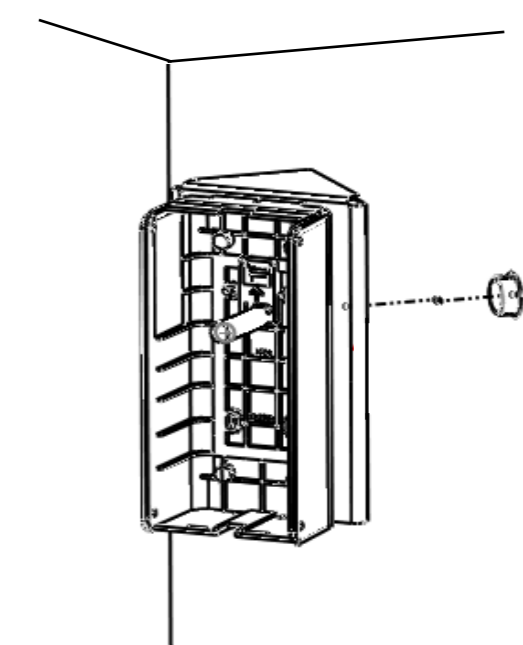


④ Sensor mounting



Sensor mounting screw
(included in sensor box.)

⑤ Attached Hole caps



Hole cap
(included in this kit.)