

## Back Box

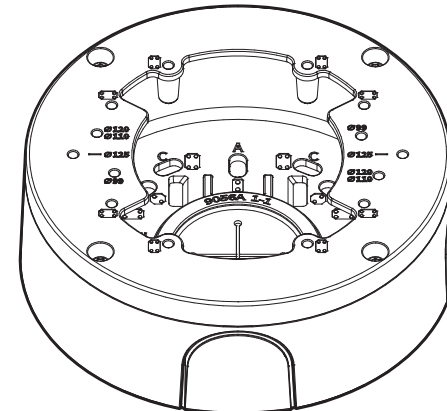
SBO-140BW  
SBV-140BW  
SBV-180BW



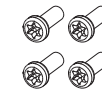
### Installation Precautions

- Make sure that the installation place can endure at least 4 times of the total weight of the Back Box, Camera and each Mounts on place.
- When installing the product outdoors, use interlocking devices made of stainless steel.

### Package



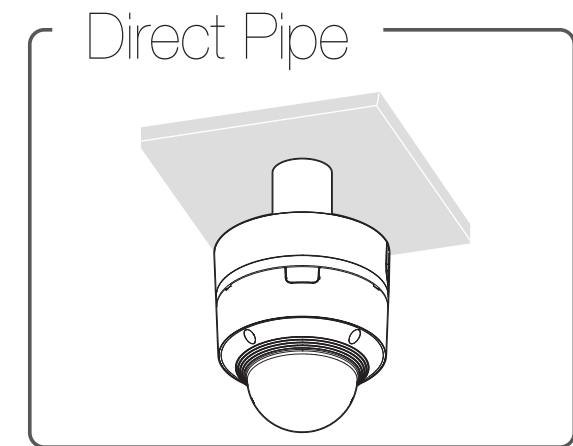
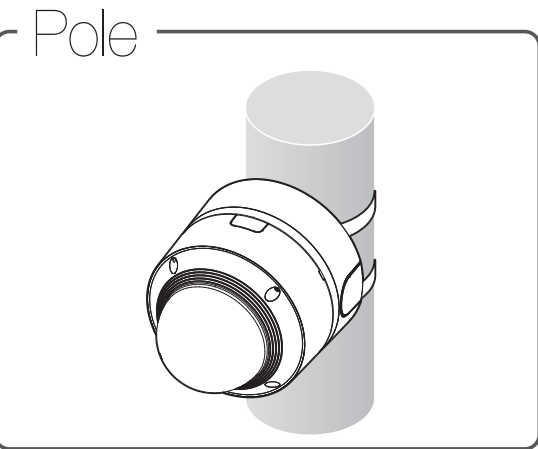
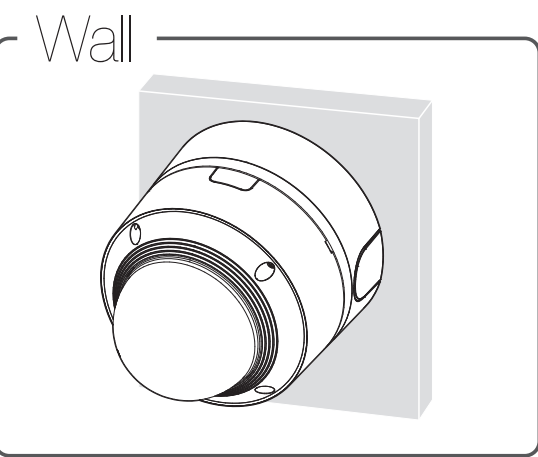
BACK BOX



SCREW (4EA)



COVER-HOLE

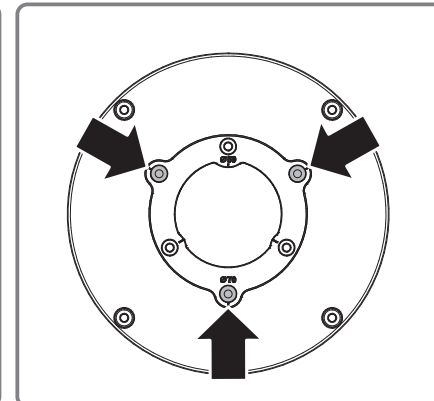
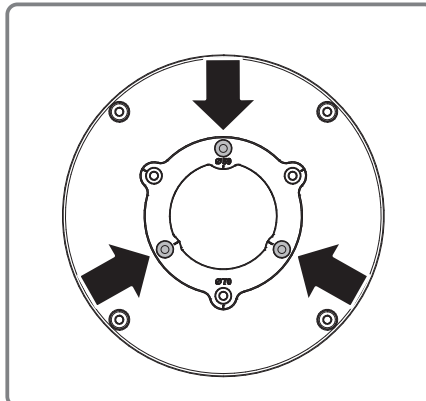


### Mounting Hole by Camera Size

SBO-140BW

ø59 (mm)

ø70 (mm)

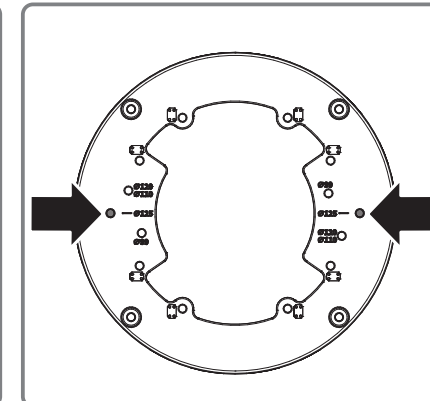
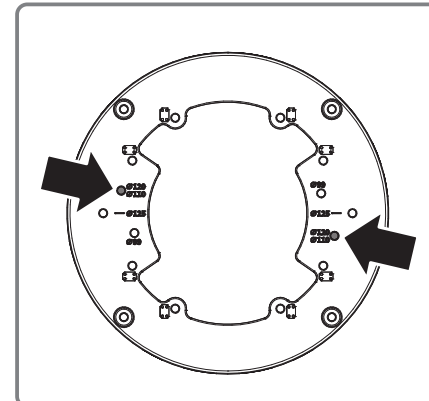
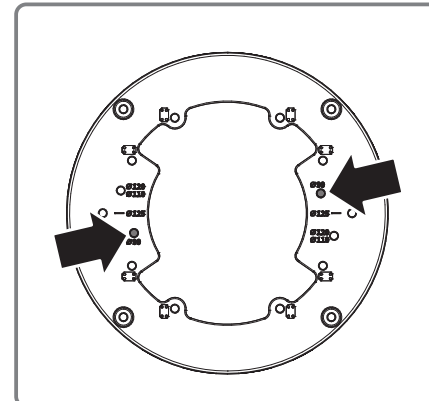


SBV-140BW

ø99 (mm)

ø110 ~ 120 (mm)

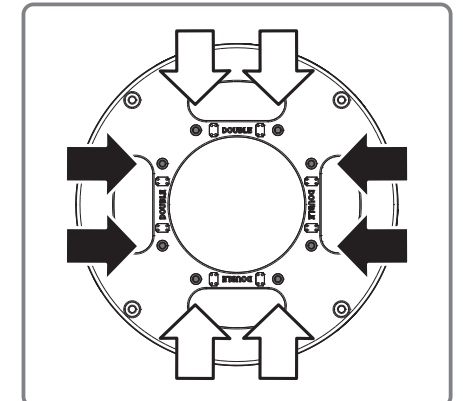
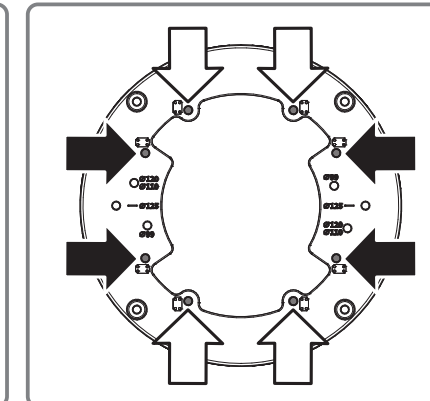
ø125 (mm)



SBV-180BW

ø130 ~ 140 (mm)

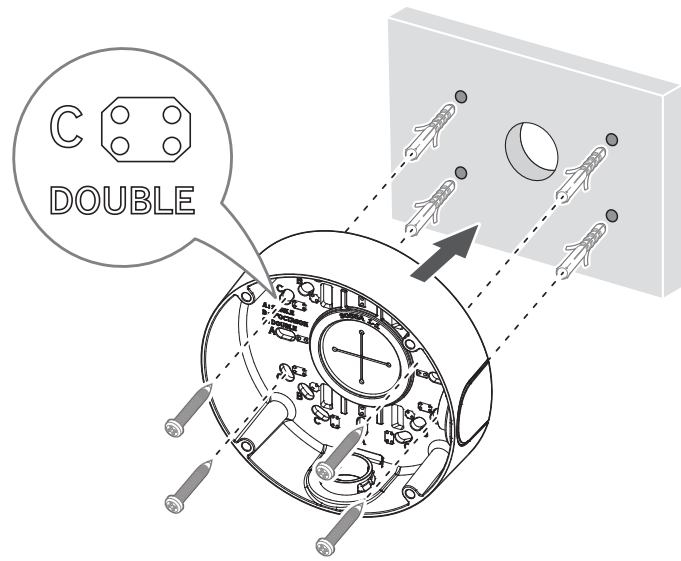
ø147 ~ 180 (mm)



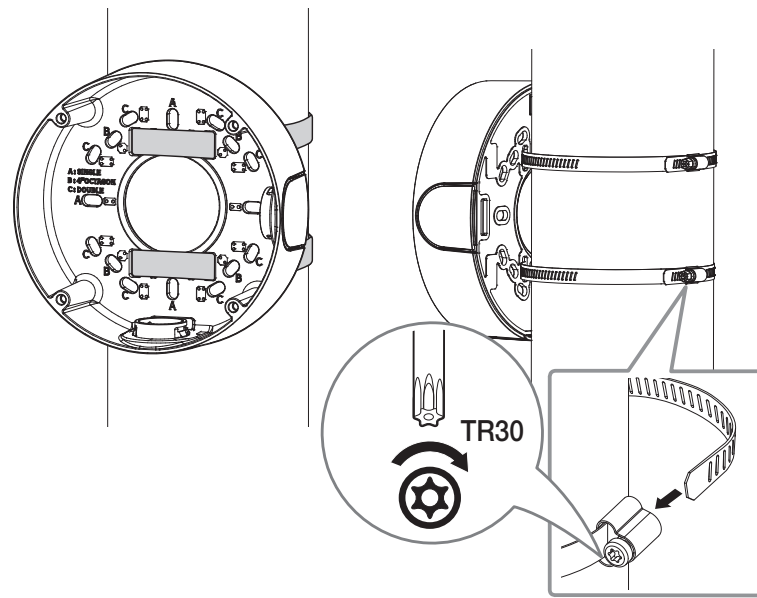
4x DOUBLE

4x DOUBLE

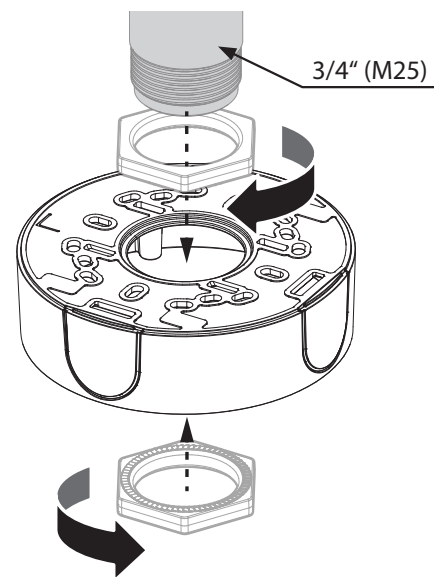
1 (Wall)



(Pole)

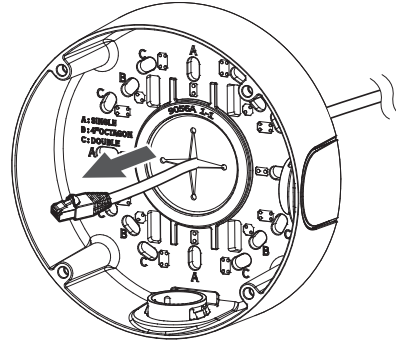


(Direct Pipe)

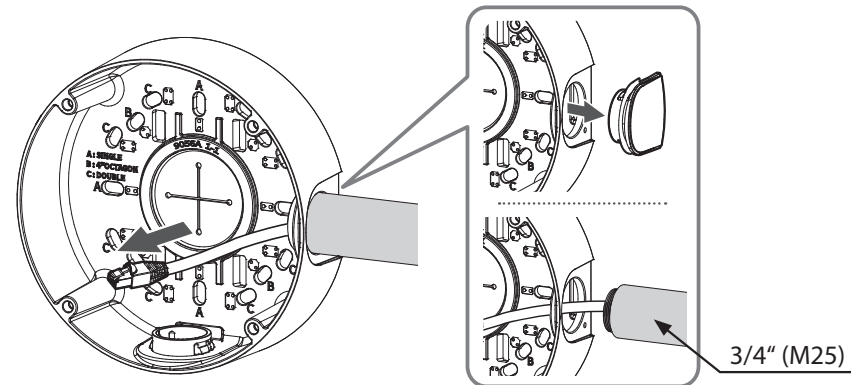


2

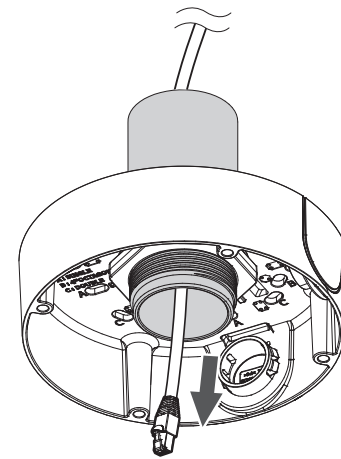
A



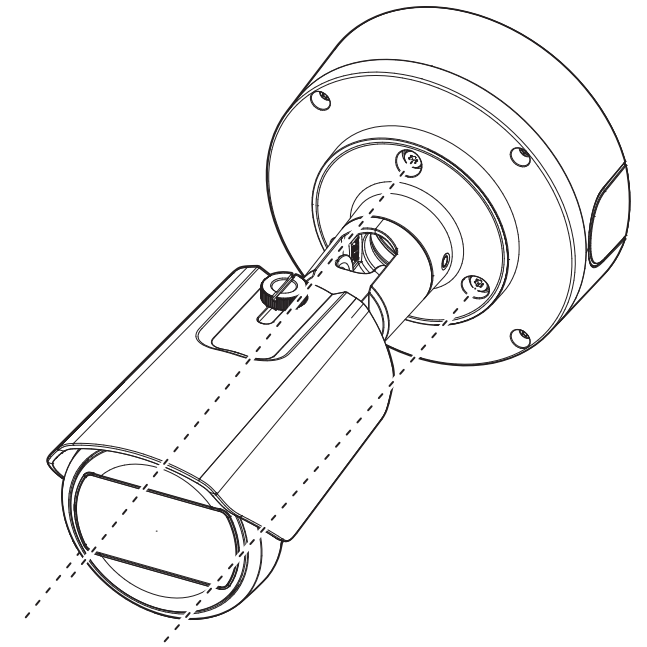
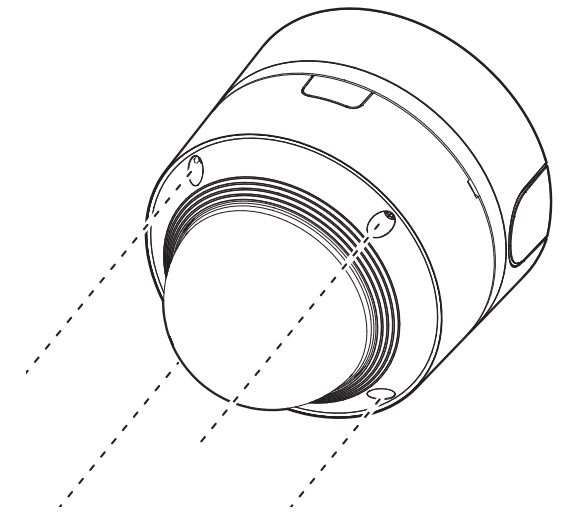
B



C



4



3

4x

