

# PLZ20C0-D

12 MP 1/1.7" 3.7-16mm Vari-focal Lens



## Technical Specification

**Model** PLZ20C0-D

### Parameter

Image Format	1/1.7"	
Focal Length	3.7-16mm	
Lens Pixel	12MP	
Aperture	F1.5	
Mount	CS	
Field Angle (D*H*V)	1/1.7"	W:145°(D)x109°(H)x79°(V)~T: 35.6°(D)x28.5°(H)x21.4°(V)
Lens Control	Focus	Manual
	Zoom	Manual
	Iris	DC-Iris
IR Correction	Yes	
M.O.D.	0.5m (1.64ft)	
Dimension	φ54mmx82.8mm (φ2.12"x3.26")	
Weight	0.27kg (0.6lb)	
Operating Temperature	-30 °C ~+70 °C (-22 °F ~+158 °F)	
Humidity	<90% RH	

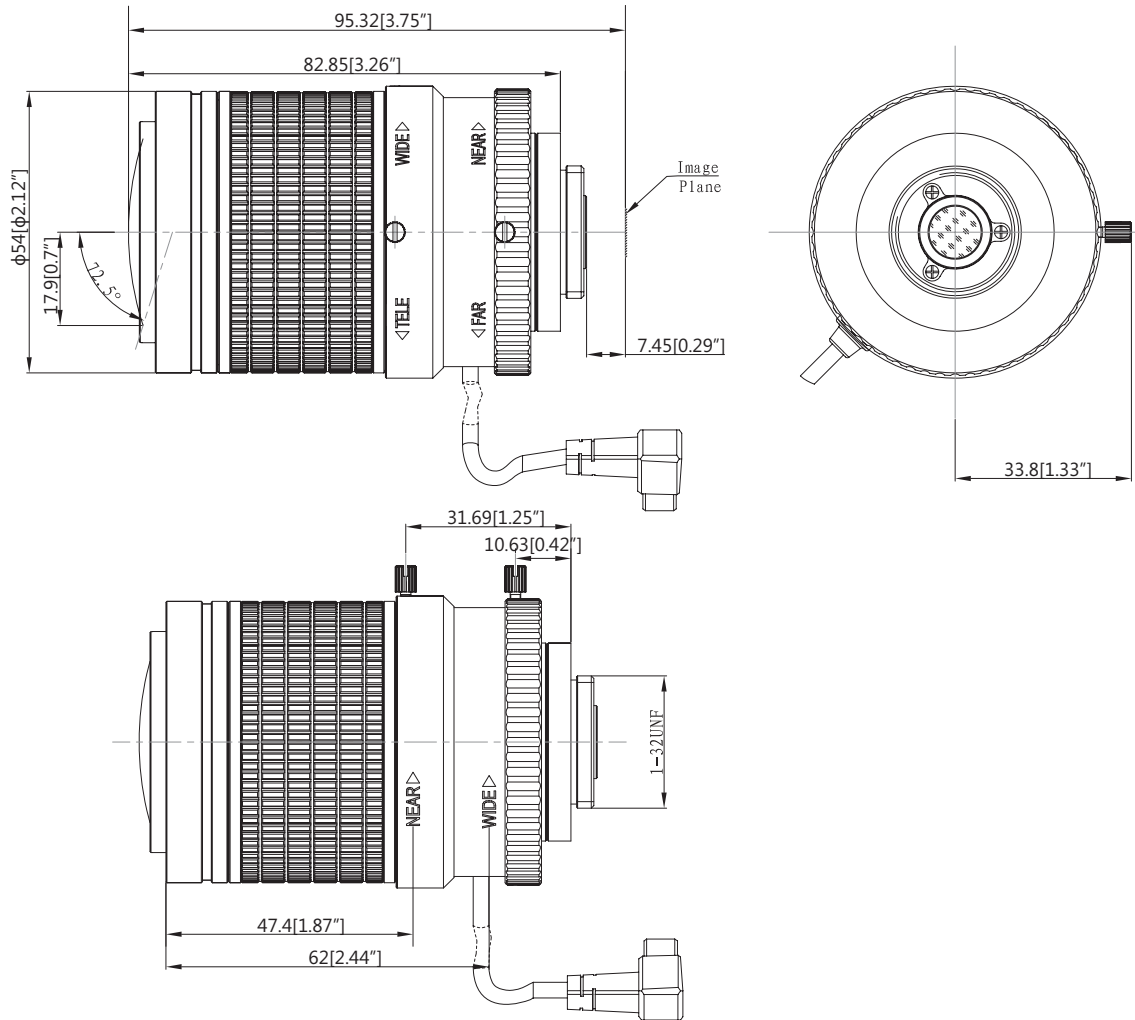
### Certifications

**Certifications** CE (EN55022, EN55024, EN50130-4)  
FCC (ANSI C63.4, FCC Part 15 Subpart B)

## Ordering Information

Type	Part Number	Description
Lens	DH-PLZ20C0-D	12MP 1/1.7" 3.7-16mm vari-focal lens
	PLZ20C0-D	12MP 1/1.7" 3.7-16mm vari-focal lens

## Dimensions (mm/inch)



## Package Information

- 12MP 1/1.7" 3.7-16mm vari-focal lens PLZ20C0-D \*1