

DHI-TPC-BF2241

Thermal Network Hybrid Bullet Camera



- Vanadium oxide uncooled focal plane detector.
- 4Megapixel progressive scan CMOS.
- Offers various AI functions such as intrusion, target filtering, heat detection, smoking detection, and call detection.
- Built-in white light and speaker that produce light and sound alarms to deter intruders.
- Built-in IR LED with a maximum illumination distance of 35 m.
- Dual image fusion (visible and thermal images).
- 12 VDC ± 20%/PoE power supply.
- IP67 rated.

Featuring thermal and visible channels, Thermal Network Hybrid Bullet Camera offers various AI functions such as tripwire, intrusion, call detection, smoking detection, and heat detection. It can be used in short-distance monitoring scenes such as perimeter protection and heat monitoring, which provides an all-in-one video surveillance solution for small and medium scenes.

Technical Specification

Thermal

Detector Type	Vanadium oxide uncooled focal plane detector
Effective Pixels	256 (H) × 192 (V)
Pixel Pitch	12 μm
Spectral Range	8 μm–14 μm
Sensitivity (NETD)	≤40 mK@f/1.0
Focal Length	3.5 mm; 7 mm
Field of View	3.5 mm: H: 50.6°; V: 37.8° 7 mm: H: 24°; V: 18°
Thermal Focus Control	Fixed-focal
Close Focus Distance	3.5 mm: 0.5 m (1.64 ft) 7 mm: 1 m (3.28 ft)
Detection Distance ^①	3.5 mm: Vehicle: 449 m (1,472.17 ft); Human: 146 m (479.00 ft) 7 mm: Vehicle: 897 m (2,944.34 ft); Human: 292 m (958.01 ft)
Recognition Distance ^②	3.5 mm: Vehicle: 110 m (361.10 ft); Human: 38 m (124.67 ft) 7 mm: Vehicle: 220 m (722.20 ft); Human: 75 m (246.06 ft)
Identification Distance ^③	3.5 mm: Vehicle: 56 m (182.27 ft); Human: 19 m (62.34 ft) 7 mm: Vehicle: 111 m (364.54 ft); Human: 38 m (124.67 ft)

Note:

- ① Detection Distance: Detects objects, but cannot recognize their characteristics (objects must cover more than 3.6 pixels of the image).
- ② Recognition Distance: Classifies objects into general categories, such as human, vehicle (the object must cover more than 14 pixels of the image).
- ③ Identification Distance: Classifies objects into specific categories based on their characteristics, such as engineering truck, car (the object must cover more than 28 pixels of the image).

Digital Detail Enhancement (DDE)	Yes
Thermal Image Stabilization	Electronic Image Stabilization (EIS)
Digital Zoom	16 levels
Thermal AGC	Auto/Manual
Thermal Noise Reduction	2D NR/3D NR
Image Flip	90°; 180°; 270°
Color Palettes	18 (white hot/black hot/fusion/rainbow/golden autumn/midday/iron red/amber/jade/sunset/icefire/painting/pomegranate/emerald /spring/summer/autumn/winter)

Visible

Image Sensor	1/2.7" CMOS
Max. Resolution	2336 (H) × 1752 (V)
Pixel	4 MP
Horizontal Definition	≥1600 TVL
Min. Illumination	Color: 0.05 lux B/W: 0.005 lux 0 lux (IR on)
Visible AGC	Auto/Manual
Visible Noise Reduction	2D NR/3D NR
S/N Ratio	≥55 dB
White Balance	Auto; indoor; outdoor; tracking; manual; natural; street lamp
Defog	Electronic defog
Electronic Shutter Speed	1 s–1/30,000 s (auto/manual)

BLC	Yes
WDR	DWDR
HLC	Yes
Day/Night	Auto (ICR); Color; B/W
Iris Control	Fixed
Image Flip	90°; 180°; 270°
Exposure Compensation	Yes
Visible Focus Control	Fixed-focal
Focal Length	4 mm; 8 mm
Field of View	4 mm: H: 71.2°; V: 52° 8 mm: H: 33.4°; V: 25°
Close Focus Distance	4 mm: 1 m (3.28 ft) 8 mm: 2.5 m (8.20 ft)
Aperture	4 mm: F1.6 8 mm: F2.0
Illuminator On/Off Control	Auto/Manual
Illumination Distance	4 mm: ≥35 m (114.83 ft) 8 mm: ≥50 m (164.04 ft)

Audio and Video

Video Compression	H.265; H.264; H.264H; H.264B; MJPEG
Resolution	Thermal: Main stream: 1.3M (1280 × 960); X VGA (1024 × 768); VGA (640 × 480/256 × 192); 1280 × 960 (default) Sub stream: VGA (640 × 480/256 × 192); 256 × 192 (default) Visible: Main stream: 2336 × 1752; 1080p (1920 × 1080); 720p (1280 × 720); D1 (704 × 576); 2336 × 1752 (default) Sub stream: 720p (1280 × 720); D1 (704 × 576); CIF (352 × 288); 352 × 288 (default)
Video Frame Rate	Thermal: Main stream: 1 fps–25 fps, 25 fps by default Sub stream: 1 fps–25 fps, 15 fps by default Visible: Main stream: 1 fps–25 fps, 25 fps by default Sub stream: 1 fps–25 fps, 15 fps by default
Audio Compression	G.711a; G.711mu; PCM
Image Encoding Format	JPEG

Function

Two-way Audio	Yes
Sound and Light Alarm	Yes
Network Protocol	HTTPS; HTTP; TCP; ARP; RTSP; RTP; UDP; RTCP; SMTP; FTP; DHCP; DNS; DDNS; PPPOE; IPv4/v6; SNMP; QoS; UPnP; NTP
Region of Interest (RoI)	Yes
Storage	Micro SD card
Micro SD Card (Max.)	256 GB
Interoperability	ONVIF; CGI; Dahua SDK
Browser	IE: IE 9 and later (Edge is not supported) Chrome: 42 and earlier Firefox: 42 and earlier

User/Host	Up to 10 (total bandwidth: 100 MB)
Security	Authorized username and password; attached MAC address; encrypted HTTPS; IEEE 802.1x; controlled network access
User Management	Up to 10 users; supports multi-level user permissions (2 levels); management group and user group
Malfunction Detection	Network disconnection detection; IP conflict detection; memory card state detection; memory space detection
Fusion Mode	Warm color; cold color; fuse with iron oxide red
PIP	Yes (Intelligence automatically turns off when PIP is on)

Intelligence

Heat Detection	Yes
Cold/Hot Spot Trace	Yes
IVS (Perimeter Protection)	Yes. Supports tripwire and intrusion.
Target Distinction	Human/Vehicle Classification
Smoking Detection	Yes
Call Detection	Yes

Port

Network Port	1 × RJ-45 (10/100 Base-T)
Alarm Input	1
Alarm Output	1
Audio Input	1
Audio Output	1
RS-485	1

Power

Power Supply	12 VDC, 1 A ± 20%, PoE (802.3af)
Power Consumption	Basic: <5.0 W (12 VDC); 4.8 W (PoE) Max: <12 W (12 VDC); 12.3 W (PoE)
ePoE	Yes

Environment

Operating Temperature	−30 °C to +60 °C (−22 °F to +140 °F)
Operating Humidity	≤95%
Storage Temperature	−40 °C to +70 °C (−40 °F to +158 °F)

Physical Characteristics

Protection	IP67
Reliability	Surge protection: 6 kV Air discharge of 15 kV Contact discharge of 8 kV

Structure

Product Dimensions	279.9 mm × 103.8 mm × 95.8 mm (10.31" × 0.46" × 4.35") (L × W × H)
Packaging Dimensions	365 mm × 175 mm × 176 mm (14.37" × 6.89" × 6.92") (L × W × H)
Net Weight	≤1.4 kg (3.09 lb)
Gross Weight	≤1.9 kg (4.19 lb)

Heat Detection Distance

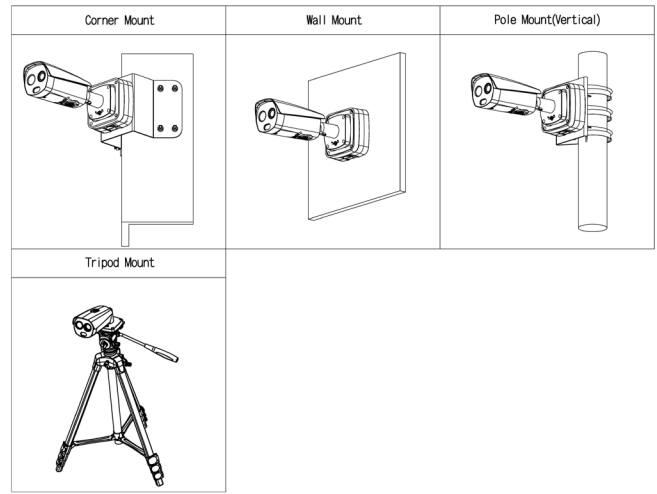
Focal Length	Max. Distance
3.5 mm	22 m (72.18 ft)
7 mm	40 m (131.23 ft)

Note:
 The table displays the measured distances obtained from using the target size 0.2 m × 0.2 m for testing in an environment where the temperature is 23 °C and the relative humidity is below 60%.
 The table is for reference only. The distances within it are subject to actual conditions including atmospheric conditions, target size, the installation site, and more.

Perimeter Protection Distance

Focal Length	Distance (Human)	Distance (Vehicle)
3.5 mm	24.5 m (80.38 ft)	72.5 m (237.86 ft)
7 mm	49 m (160.76 ft)	146.5 m (480.64 ft)

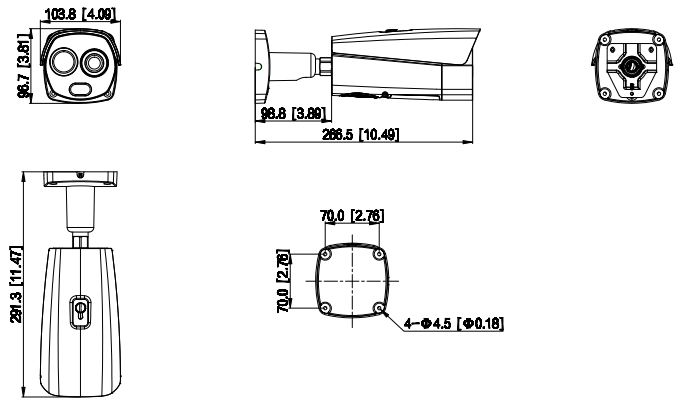
Note:
 The table displays the optimal distance obtained from using the target sizes 1.8 m × 0.5 m (human) and 4 m × 1.4 m (vehicle) for testing in an environment where the temperature is 23 °C and the relative humidity is below 60%.
 The table is for reference only. The distances within it are subject to actual conditions including atmospheric conditions, target size, the installation site, and more.



Ordering Information

Type	Model	Description
Thermal Camera	DHI-TPC-BF2241-B3F4-DW-S2	Thermal: 3.5 mm; Visible: 4 mm
	DHI-TPC-BF2241-B7F8-DW-S2	Thermal: 7 mm; Visible: 8 mm
Accessories (Optional)	PFA121	Water-proof Junction Box (wall mount)
	PFA121+PFA150	Water-proof Junction Box + Pole Mount Bracket (pole mount)
	PFA121+PFA151	Water-proof Junction Box + Corner Mount Bracket (corner mount)

Dimensions (mm[inch])



Accessories

Optional:



PFA121
 Water-proof Junction Box (wall mount)



PFA121+PFA150
 Water-proof Junction Box + Pole Mount Bracket (pole mount)



PFA121+PFA151
 Water-proof Junction Box + Corner Mount Bracket (corner mount)