

DC102R4.7

CONTACT WITH 4.7K RES (WHITE)

Easy Installation

The DC102-series are ideal for residential and commercial applications where terminal connections are preferred. The unit features positive clamping terminals with anti-rotation lugs and captured screws with combination heads. These features allow for easy, quick installations.

Comprehensive range

The range includes wide gap, SPDT and biased versions for higher security. This makes it one of the most popular contacts available in the industry today.

Durability and dependability

These high performance magnetic contacts have been designed to facilitate installation and ensure durability and dependability. Most are conservatively rated at 10,000,000 cycles, guaranteeing a long life. Every reed connection is hand soldered and each magnetic contact is tested before they leave the factory.

High quality components and materials

Reed legs are plated with rhodium or ruthenium, and hermetically sealed in dry nitrogen. This offers superior protection against sticking and provides a moisture free environment therefore preventing corrosion.



Details

- Ideal for residential and commercial
- Convenient surface mounting
- Versions with built-in resistors available

DC102R4.7

CONTACT WITH 4.7K RES (WHITE)

Spécifications techniques

Généralités

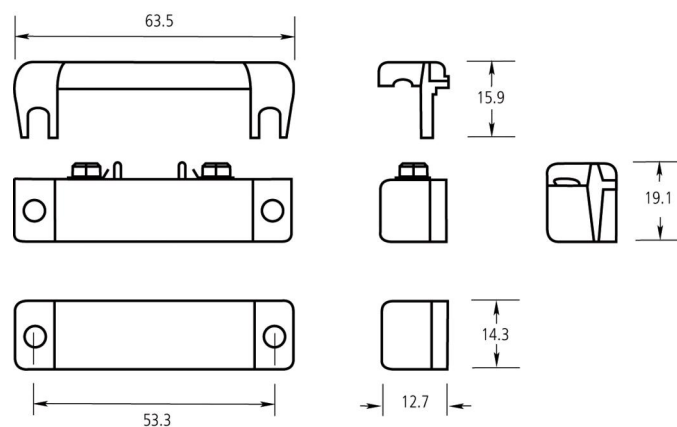
Zastosowanie	Montaż powierzchniowy
Typ styku	Rezystor 4K7
Sposób podłączenia	Screw

Filaire-Radio

Przewodowy - Bezprzewodowy	Przewodowy
Odstęp dopuszczalny	18 mm (max.)

Caractéristiques physiques

Wymiary	63 x 12 x 19 mm
Kolor	Biały



Będąc firmą innowacyjną, Carrier Fire & Security zastrzega sobie prawo do zmian w specyfikacji wyrobów bez uprzedzenia. W celu uzyskania najnowszych specyfikacji prosimy o wizytę na stronach [pl/firesecurityproducts.com](http://firesecurityproducts.com) lub kontakt z przedstawicielem handlowym.

Last updated on 5 May 2023 - 9:32