



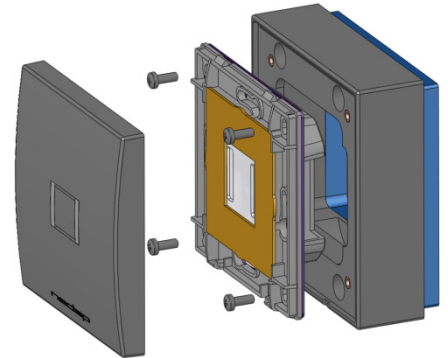
# Surface mounting set Convexs 80F Spacer for Convexs F (and DC080F, AP1201F)

## 1. General

The Surface mounting set Convexs 80F (Product nr. 9945890) can be applied to place the flush mounted Convexs readers (and similar readers with same shape) to a wall. The set includes the mounting bracket, a foam gasket and 4 screws to mount the Convexs on the bracket. Screws for mounting the set on the wall are not included.

It can be used for following flush mounted devices:

- Convexs series (e.g. MN80FC)
- AP1201 (e.g. AP1201FG)
- DC080 (e.g. DC080FG)

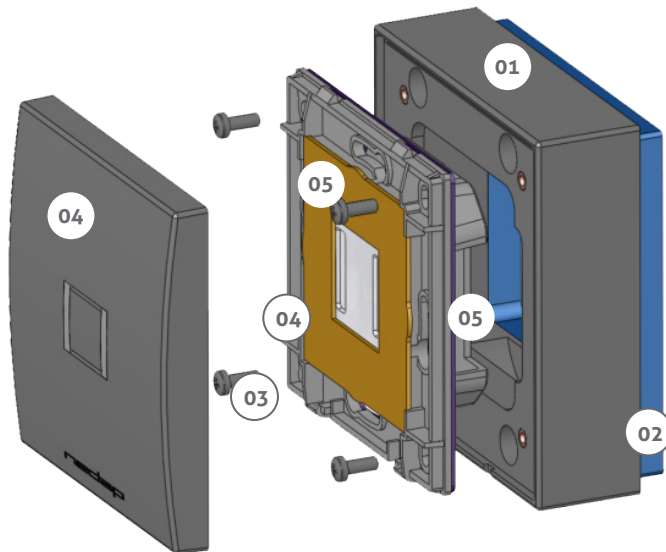


With this mounting set (spacer) the water resistant device (Convexs 80F) can be placed e.g. outside on a wall (instead of flush mounting it in the wall). A cable-outlet can be applied.



The bracket has a top and bottom side.

## 2. Mounting



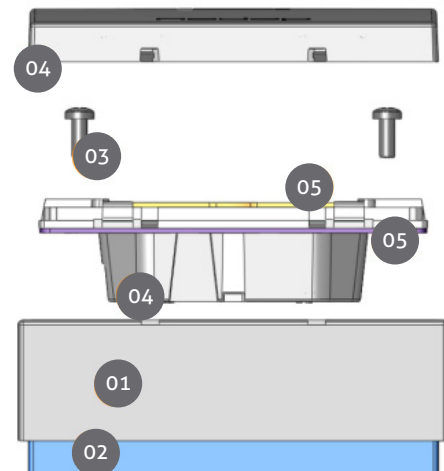
01

**Mounting bracket**

02

**Foam gasket (compressible)**

03

**4 screws for mounting the device (Convexs)**

04

**Device (e.g. Convexs 80F, DC080F)**

05

**Gaskets belong to device**

Screws for mounting the bracket to e.g. a wall are **not** included (these can differ pro installation). Max dimensions of mounting screws: Head of the screw max round 8 mm, steel max 4.5 mm, see also dimensions on next page.

Date: 24-03-2017 Version 4.0 Document no.: 5277299

This information is furnished for guidance, and with no guarantee as to its accuracy or completeness; its publication conveys no license under any patent or other right, nor does the publisher assume liability for any consequence of its use; specifications and availability of goods mentioned in it are subject to change without notice; it is not to be reproduced in any way, in whole or in part, without the written consent of the publisher.  
© Nedap N.V., P.O. Box 103, NL-7140 AC GROENLO, The Netherlands

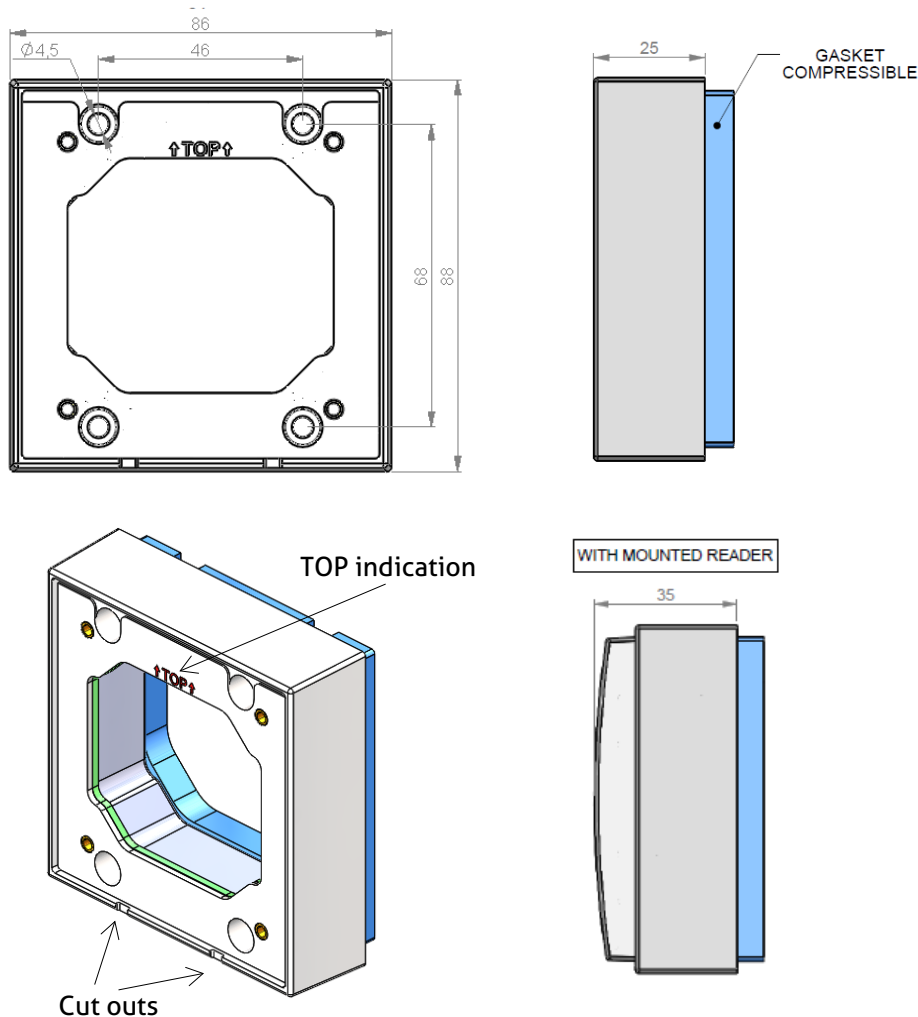
### 3. Applying Cable Outlet to Top or Side Ways

If the cable is not transferred backwards, a hole must be made on the correct side on the bracket. To transfer the right position, careful pre-drill the assembly with a 3 mm drill. Then separately drill the inner and outer part of the bracket, a 6 mm drill will do. Alternative a step drill can be used.

### 4. Installation Remarks

1. If needed make correct cable-outlet at the bracket on requested side (use suitable tools)
2. Mount bracket as marked according TOP (small cut outs towards bottom, these are needed for removing top cover)
3. Take care of the correct mounting of the gaskets (both for the Convexs and bracket)
4. Mount device to bracket, tighten the screws gently (use manual screwdriver)
5. Mounting holes: see below

### 5. Dimensions (in mm)



#### SPECIFICATIONS Surface Mounting Set Convexs 80F (article no. 9945890)

Dimensions:	86 x 88 x 25 mm (total high including Convexs: 35 mm)	Weight:	± 55 gr
Device:	Check Installation sheet of appropriate device	Material:	Plastic

**MORE INFORMATION:** Contact your local Nedap supplier or check our website [www.nedapsecurity.com](http://www.nedapsecurity.com)