

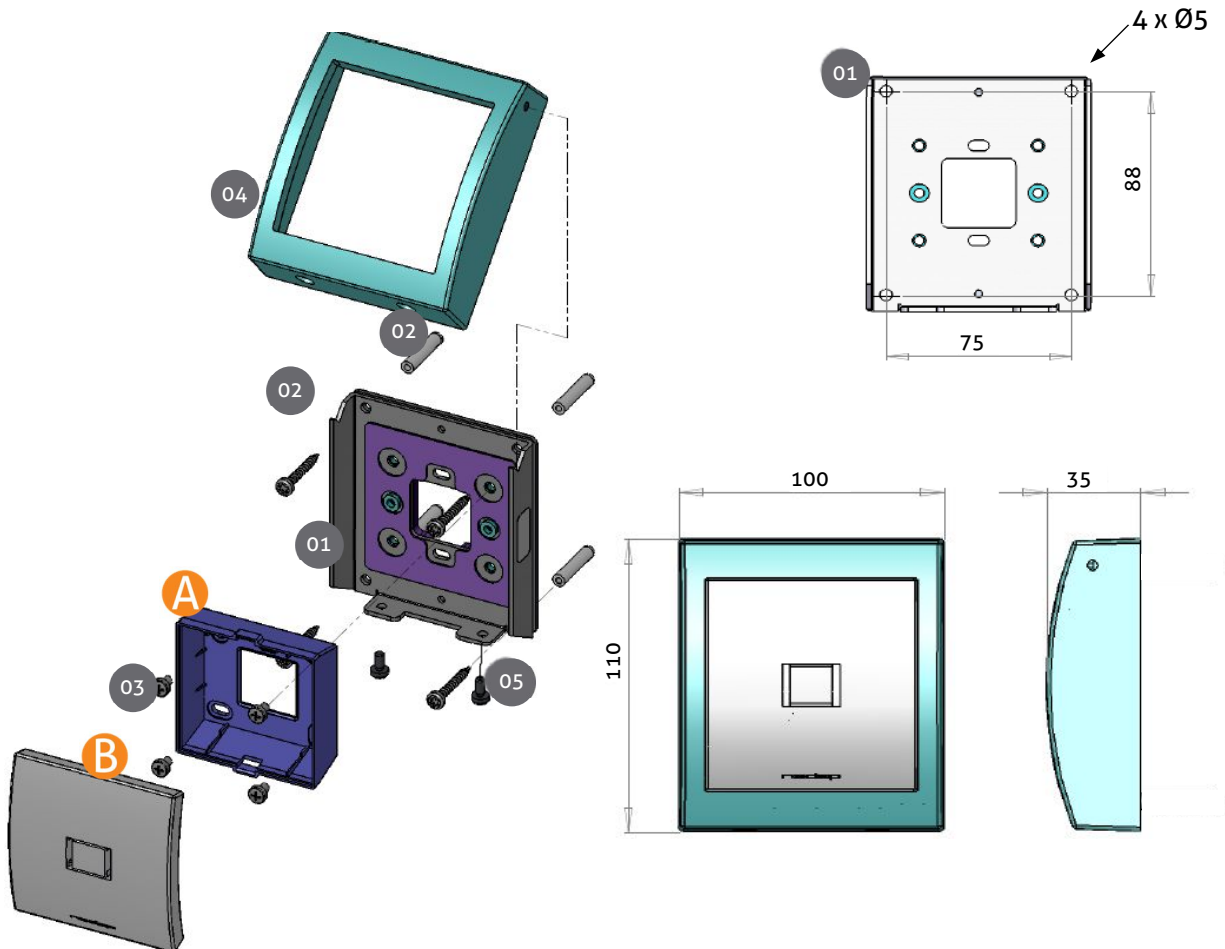


# Protector 80 Protection set Surface and flush mount

## 1. General

The Protection 80 protection sets are available for the Convexs, AP1201 and DC080 variants, both in flush mounted (Protection 80F) and surface mounted (Protection 80). Adding the Protectors results in more vandal resistant proven products. The Protector 80F **must** also be added in case the Convexs F (flush mounted) in combination with Mifare is placed on metal.

## 2. Installation Procedure Surface Mount



- 01 Mounting bracket, made of metal, including foam
- 02 4 x mounting screws (4 x 30 mm) and plugs to mount the bracket on its place
- 03 4 x mounting screws (M4) to connect the reader to mounting bracket
- 04 Top cover to be placed over the reader
- 05 2 x screws (Torx) to secure the top cover on the mounting bracket

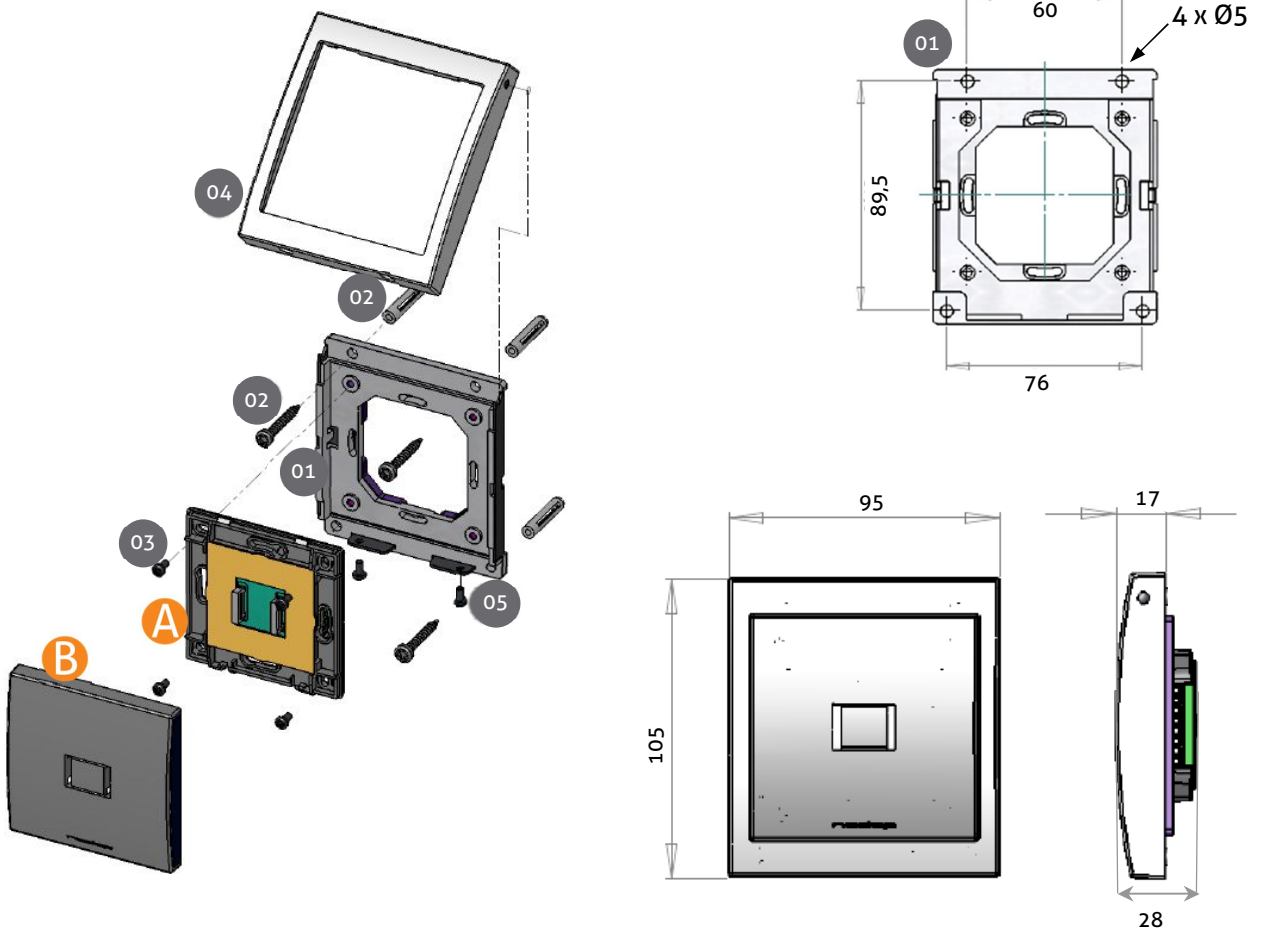
Date: 19-10-2017 Version 6.0 Document no.: 5268370

This information is furnished for guidance, and with no guarantee as to its accuracy or completeness; its publication conveys no license under any patent or other right, nor does the publisher assume liability for any consequence of its use; specifications and availability of goods mentioned in it are subject to change without notice; it is not to be reproduced in any way, in whole or in part, without the written consent of the publisher.  
© Nedap N.V., P.O. Box 103, NL-7140 AC GROENLO, The Netherlands

Installation procedure:

- Step 01** Place the mounting bracket to the correct position 01 and 02
- Step 02** Open the device and mount the backside A with the 4 screws 03 to the mounting bracket
- Step 03** Make all connections to the device (see installation sheet) and click front B to the backside A
- Step 04** Hang top cover 04 first at top and close it on the bottom
- Step 05** Place two securing screws from the underside 05

### 3. Installation Procedure Flush Mount



- 01 Mounting bracket, made of plastic with metal inserts

---

- 02 4 x mounting screws (4 x 30 mm) and plugs to mount the bracket on its place

---

- 03 4 x mounting screws (M3, star screws) to connect the reader to mounting bracket

---

- 04 Top cover to be placed over the reader

---

- 05 2 x screws (Torx) to secure the top cover on the mounting bracket

---

Installation procedure:

- Step 01** Make a correct hole, dimensions 70 x 70 m
- Step 02** Place the mounting bracket to the correct position **01** and **02**
- Step 03** Open device and make all connections, mount device **A** with 4 screws **03** to mounting bracket
- Step 04** Click the front **B** to the device **A**
- Step 05** Hang top cover **04** first at top and close it on the bottom
- Step 06** Place two securing screws from the underside **05**



The Protector 80F must always be used if the Convex 80F has to be mounted in a metal environment

**SPECIFICATIONS Protector 80 (article no. 9896864), Protector 80F (article no. 9892338)**

Dimensions:	Protector80:	110 mm x 100 mm x 35 mm (length x width x height)	Weight:	± 170 gr
	Protector 80F:	105 mm x 95 mm x 17 mm (length x width x height)		± 100 gr
Environment:	Temperature:	Operating: -20 – 50°C	Storage:	-30 – 70°C
Material:	PA-reinforced, aluminium and rubber			

**MORE INFORMATION:** Contact your local Nedap supplier or check our website [www.nedapsecurity.com](http://www.nedapsecurity.com)