

ES Detect – TM, TME, TD, O, OT^{blue}, O²T

- ✓ **Intelligent non addressable detector for conventional area**
- ✓ **Wide range of different detector types, including multisensor**
- ✓ **Indicates detector contamination and implements quiescent value tracing in accordance with the current standards and directives**
- ✓ **Complete self-monitoring**
- ✓ **Optimum adjustment to ambient conditions through configurable parameters**
- ✓ **Perfect suitable to the ES Line system**
- ✓ **Up to 30 detectors per detection group**
- ✓ **Integrated fault, alarm and operating hours counter**
- ✓ **Easy maintenance, reduced storage costs**



Innovative fire detection

The ES Detect automatic detector is an intelligent non-addressable detector specifically designed for operation on conventional detector groups e.g., the fire alarm control panel ES line.

ES Detect sets new standards in conventional technology through high quality sensors with advanced detection technology. These include not only the intelligent algorithms for fire detection but also the wide range of different types of detectors, including multisensor detectors OT^{blue} and O²T. ES Detect also helps to save costs, because with the implemented drift compensation, ES Detect can be operated a full eight years, instead of five years for ordinary detectors, according to DIN 14675.

Numerous accessories are available from the program of the IQ8Quad detector series. The ES Detect is equipped with a logo for optical differentiation.

The convenient maintenance with the tools 8000 programming software (in preparation) completes the full spectrum of ES Detect, from which the operating data of the detector, for example, the measured values, contamination, alarm counters, operating hours counter ..., can be read and stored. The detectors remain where they were installed, because the complete detector group can be connected to a PC and serviced via the field bus and control panel interface (Part No. 789862.10).

Wide range of detector types:

Fixed heat detector:

Automatic heat detector with fast semiconductor sensor to guarantee reliable detection of fires with strong heat generation.

Fixed heat detector class B:

For increased operating temperature according to EN 54-5 class B.

Rate-of-rise heat detector:

Automatic heat detector with fast semiconductor sensor to guarantee reliable detection of fires with rapidly rising temperatures and integrated fixed temperature function for the detection of fires with slowly rising temperatures.

Optical smoke detector:

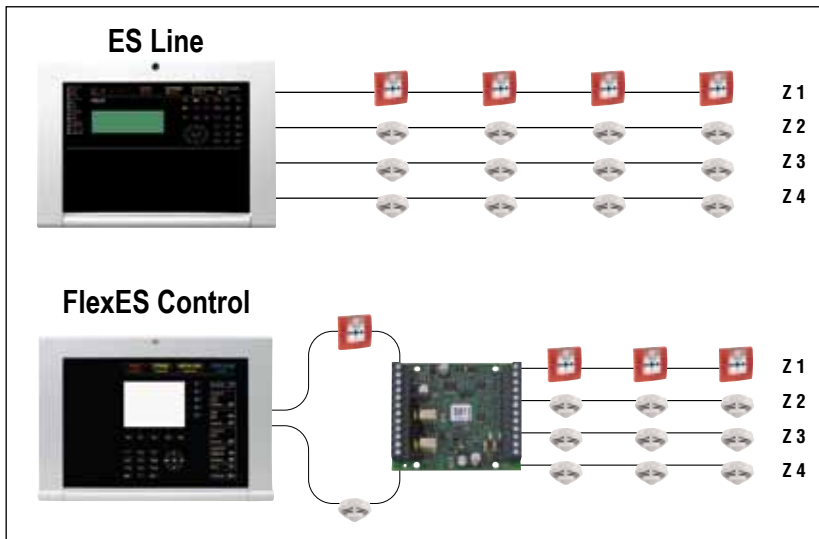
Optical smoke detector to guarantee safe and early detection of fire.

OT^{blue} multisensor fire detector:

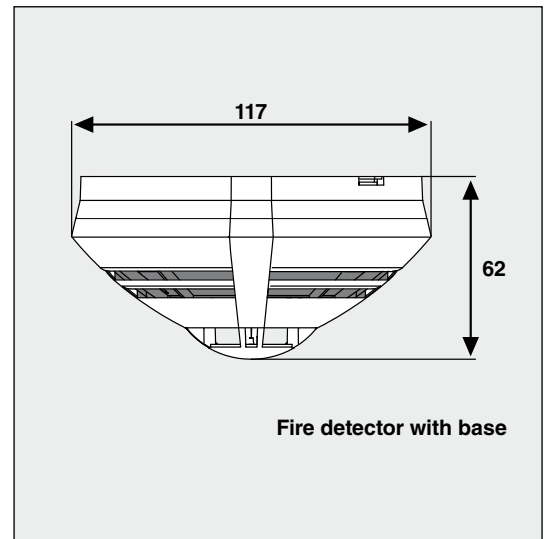
Multisensor fire detector with integrated optical detector and heat detector. Enables earliest possible detection of even the finest particles through optical measurement using the "Blue Principle". The first to replace the ionization detector.

O²T multisensor fire detector:

Multisensor fire detector provided with two built-in optical smoke sensors with different scattered light angles as well as additional heat detector sensor evaluation to guarantee the detection of different types of fire from smoldering fires to open fires with constant sensitivity



System overview



Measurements

Specifications

Type	TM	TME	TD	O	OT ^{blue}	O ² T
Part number	800171	800177	800271	800371	800375	800374
Quiescent current	approx. 25 µA	approx. 25 µA	approx. 25 µA	approx. 30 µA	approx. 35 µA	approx. 45 µA
Application temperature	-20 °C ... 50 °C	-20 °C ... 65 °C	-20 °C ... 50 °C	-20 °C ... 72 °C	-20 °C ... 50 °C	-20 °C ... 65 °C
VdS number	G 213068	G 213067	G 213069	G 213066	G 213065	G 213070
Detector specification	EN 54-5 A1S	EN 54-5 BS	EN 54-5 A1R	EN 54-7	EN 54-7/-5 A2, CEA 4021	EN 54-7/-5 B, CEA 4021

General specifications

Operating voltage	8 ... 42 V DC
Alarm current @ 9 V DC	typ. 9 mA
Air speed	0 ... 25.4 m/s
Storage temperature	-25 °C ... 75 °C
Air humidity	< 95 %
Type of protection	IP43 (with base + option)
Material	ABS
Color	white, similar to RAL 9010
Weight	ca. 110 g
Dimensions	Ø: 117 mm H: 49 mm (62 mm incl. base)

Order information

Part No.

Fixed heat detector ES Detect	800171
Fixed heat detector ES Detect, class B	800177
Rate-of-rise heat detector ES Detect	800271
Optical smoke detector ES Detect	800371
OT ^{blue} multisensor fire detector ES Detect	800375
O ² T multisensor fire detector ES Detect	800374
Standard detector base for IQ8Quad, ES Detect	805590
Detector base with relay contact for IQ8Quad, ES Detect	805591