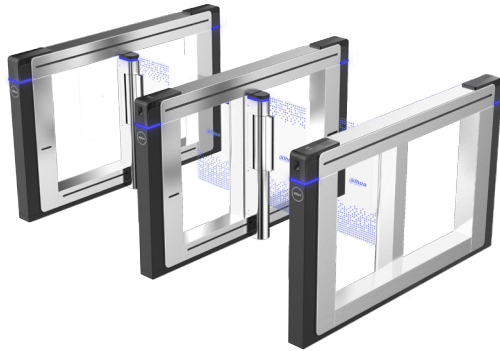


DHI-ASGB8XXX-X

Dahua Swing Turnstile



- Integrated access control module, turnstile control module, alarm module, and more
- With IC card reading function; fingerprint sensor, bar code reader, and face recognition modules are custom
- Adopt wired system: RS-485 and RS-232
- Applicable to outdoor environment like industrial parks, office buildings, schools, factories, CBD, residential areas, and more

Technical Specification

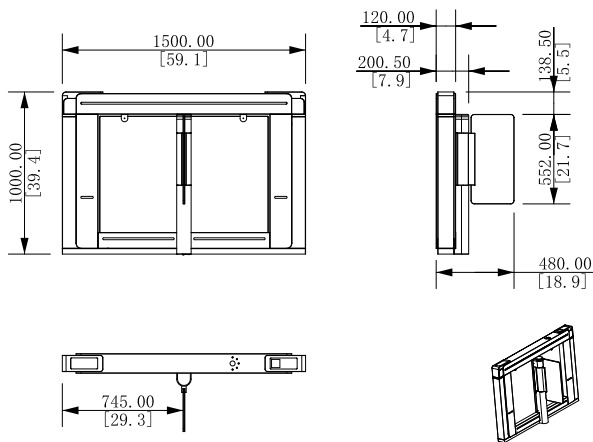
| | |
|------------------------|--|
| Product Dimensions | 1500mm×120mm×1000mm (59.06" ×4.72"×39.37") |
| Surface Processing | Nanometer film |
| Cabinet Material | SUS304 2.0mm |
| Fan Material | Acrylic |
| Motor Type | Brushless servo motor |
| IR Signal | 30 pairs of IR detectors |
| Digital Quantity Port | 2 I/O ports |
| RS-232 Port | 1 for commissioning |
| Anti-collision | Yes |
| Anti-pinch | Yes |
| Memorizing | Yes |
| Anti-trailing | Yes |
| Sound and Light Prompt | Yes |
| Counting | Yes |
| Alarm | Yes |
| Lock and unlock speed | 0.6 s–1.6 s, adjustable |
| Passing Duration | 2–60s, adjustable |
| Alarm Delay | 0 s–60 s, adjustable |
| Lifetime | ≥5 million times |
| Passing Frequency | 20 people/minute–40 people/minute |

| | |
|-----------------------|---|
| Noise Grade | Less than 60dB within 1.5 meters |
| Net Passage Width | Standard passage width: 600 mm At most 1,000 mm acrylic barriers can be customized |
| Gross Weight | Single turnstile module≤120 kg (264.55 lb) double turnstile modules≤145 kg (319.67 lb) |
| Net Weight | Single turnstile module98 kg (216.05 lb) double turnstile modules≤123 kg (271.17 lb) |
| Casing Material | Carton+wooden pallet |
| Power Supply Mode | AC 100–240V, 50/60HZ |
| Power Consumption | Single turnstile module: ≤20W (Standby), ≤100W (Working) Double turnstile module: ≤40W(Standby), ≤200W (Working) |
| Operating Temperature | -10°C to 60°C (+14°F to + 140°F) |
| Operating Humidity | 5%–93%RH |
| Operating Environment | Indoor |

Ordering Information

| Type | Model | Name |
|-----------------|----------------|------------------------------|
| Swing Turnstile | DHI-ASGB810X-L | Swing barrier-DHI-ASGB810X-L |
| Swing Turnstile | DHI-ASGB820X-D | Swing barrier-DHI-ASGB820X-D |
| Swing Turnstile | DHI-ASGB810X-R | Swing barrier-DHI-ASGB810X-R |
| Swing Turnstile | DHI-ASGB811X-L | Swing barrier-DHI-ASGB811X-L |
| Swing Turnstile | DHI-ASGB821X-D | Swing barrier-DHI-ASGB821X-D |
| Swing Turnstile | DHI-ASGB822X-D | Swing barrier-DHI-ASGB822X-D |
| Swing Turnstile | DHI-ASGB811X-R | Swing barrier-DHI-ASGB811X-R |

Dimensions (mm[inch])



Application

