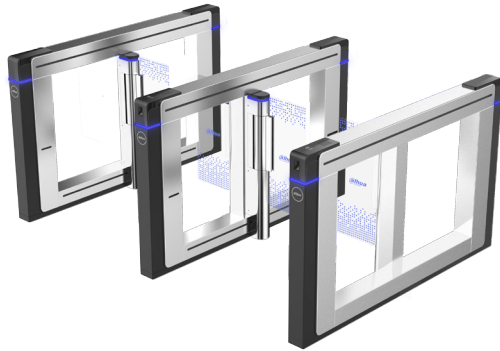


DHI-ASGB8XXX-X

Dahua Swing Turnstile



- Integrated access control module, turnstile control module, alarm module, and more
- With IC card reading function; fingerprint sensor, bar code reader, and face recognition modules are custom
- Adopt wired system: RS-485 and RS-232
- Applicable to outdoor environment like industrial parks, office buildings, schools, factories, CBD, residential areas, and more

Technical Specification

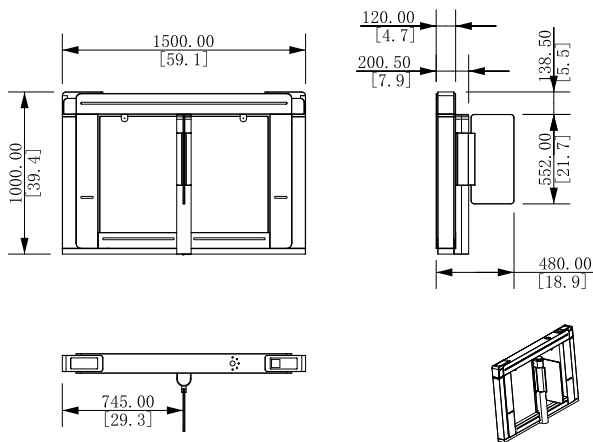
Product Dimensions	1500mm×120mm×1000mm (59.06" ×4.72"×39.37")
Surface Processing	Nanometer film
Cabinet Material	SUS304 2.0mm
Fan Material	Acrylic
Motor Type	Brushless servo motor
IR Signal	30 pairs of IR detectors
Digital Quantity Port	2 I/O ports
RS-232 Port	1 for commissioning
Anti-collision	Yes
Anti-pinch	Yes
Memorizing	Yes
Anti-trailing	Yes
Sound and Light Prompt	Yes
Counting	Yes
Alarm	Yes
Lock and unlock speed	0.6 s–1.6 s, adjustable
Passing Duration	2–60s, adjustable
Alarm Delay	0 s–60 s, adjustable
Lifetime	≥5 million times
Passing Frequency	20 people/minute–40 people/minute

Noise Grade	Less than 60dB within 1.5 meters
Net Passage Width	Standard passage width: 600 mm At most 1,000 mm acrylic barriers can be customized
Gross Weight	Single turnstile module≤120 kg (264.55 lb) double turnstile modules≤145 kg (319.67 lb)
Net Weight	Single turnstile module98 kg (216.05 lb) double turnstile modules≤123 kg (271.17 lb)
Casing Material	Carton+wooden pallet
Power Supply Mode	AC 100–240V, 50/60HZ
Power Consumption	Single turnstile module: ≤20W (Standby), ≤100W (Working) Double turnstile module: ≤40W(Standby), ≤200W (Working)
Operating Temperature	-10°C to 60°C (+14°F to + 140°F)
Operating Humidity	5%–93%RH
Operating Environment	Indoor

Ordering Information

Type	Model	Name
Swing Turnstile	DHI-ASGB810X-L	Swing barrier-DHI-ASGB810X-L
Swing Turnstile	DHI-ASGB820X-D	Swing barrier-DHI-ASGB820X-D
Swing Turnstile	DHI-ASGB810X-R	Swing barrier-DHI-ASGB810X-R
Swing Turnstile	DHI-ASGB811X-L	Swing barrier-DHI-ASGB811X-L
Swing Turnstile	DHI-ASGB821X-D	Swing barrier-DHI-ASGB821X-D
Swing Turnstile	DHI-ASGB822X-D	Swing barrier-DHI-ASGB822X-D
Swing Turnstile	DHI-ASGB811X-R	Swing barrier-DHI-ASGB811X-R

Dimensions (mm[inch])



Application

