

# DH-IPC-HDBW3441R-AS-P

## 4MP Wide Angle Fixed Dome WizSense Network Camera



**Wiz Sense**

Launched by Dahua Technology, WizSense is a series of AI products and solutions that adopt independent AI chip and deep learning algorithm. It focuses on human and vehicle with high accuracy, enabling users to fast act on defined targets. Based on Dahua's advanced technologies, WizSense provides intelligent, simple and inclusive products and solutions.

### Series Overview

With advanced deep learning algorithm, Dahua WizSense 3 Series network camera supports intelligent functions, such as perimeter protection and smart motion detection. With starlight technology, this series camera provides a better image effect in the condition of low illuminance.

### Functions

#### EPTZ

With advanced target detection and tracking algorithms, Dahua EPTZ technology can simultaneously zoom in and track multiple humans and vehicles that trigger alarms. It provides rich details and a panoramic view at the same time.

#### SMD 3.0

With intelligent algorithm, Dahua Smart Motion Detection technology can categorize the targets that trigger motion detection and filter the motion detection alarm triggered by non-concerned targets to realize effective and accurate alarm.

#### Smart H.265+ & Smart H.264+

With advanced scene-adaptive rate control algorithm, Dahua smart encoding technology realizes the higher encoding efficiency than H.265 and H.264, provides high-quality video, and reduces the cost of storage and transmission.

#### Perimeter Protection

With deep learning algorithm, Dahua Perimeter Protection technology can recognize human and vehicle accurately. In restricted area (such as pedestrian area and vehicle area), the false alarms of intelligent detection based on target type (such as tripwire, intrusion) are largely reduced.

- 4-MP 1/2.7" CMOS starlight-grade image sensor, low luminance, and high definition image.
- Outputs 4 MP (2688 × 1520) @25/30 fps, and supports max. 5 MP (2880 × 1620) @20 fps.
- H.265 codec, high compression rate, ultra-low bit rate.
- Built-in IR LED, and the max. illumination distance is 15 m.
- ROI, SMART H.264 +/H.265+, AI H.264/H.265, flexible coding, applicable to various bandwidth and storage environments.
- Rotation mode, WDR, 3D NR, HLC, BLC, digital watermarking, applicable to various monitoring scenes.
- Intelligent monitoring: Intrusion, tripwire (the two functions support the classification and accurate detection of vehicle and human).
- Abnormality detection: Motion detection, video tampering, scene changing, audio detection, no SD card, SD card full, SD card error, network disconnection, IP conflict, illegal access, and voltage detection.
- Alarm: 1 in, 1 out; audio: 1 in, 1 out; supports max. 256 G Micro SD card; built in MIC.
- 12 VDC/PoE power supply.
- IP67, IK10 protection.
- EPTZ: Enlarge and track the targets of intelligent alarms.
- SMD 3.0.



### Cyber Security

Dahua network camera is equipped with a series of key security technologies, such as security authentication and authorization, access control, trusted protection, encrypted transmission, and encrypted storage, which improve its security defense and data protection, and prevent malicious programs from invading the device.

### Protection (IP67, IK10, Wide Voltage)

**IP67:** The camera passes a series of strict test on dust and soak. It has dust-proof function, and the enclosure can works normal after soaking in 1 m deep water for 30 minutes.

**IK10:** The enclosure can stand the punch more than 5 times from a 5 kg hammer falling from a height of 40 cm (Impact energy is 20J).

**Wide voltage:** The camera allows ±30% (for some power supplies) input voltage tolerance (wide voltage range), and it is widely applied to outdoor environment with instable voltage.

### Technical Specification

#### Camera

Image Sensor	1/2.7" CMOS
Max. Resolution	2880 (H) × 1620 (V)
ROM	128 MB
RAM	512 MB
Scanning System	Progressive
Electronic Shutter Speed	Auto/Manual 1/3 s–1/100,000 s
Min. Illumination	0.01 lux@F2.0 (Color, 30 IRE) 0.001 lux@F2.0 (B/W, 30 IRE) 0 lux (Illuminator on)
S/N Ratio	>56 dB
Illumination Distance	15 m (49.21 ft) (IR LED)
Illuminator On/Off Control	Auto
Illuminator Number	3 (IR LED)
Pan/Tilt/Rotation Range	Pan: 0°–355° Tilt: 0°–80° Rotation: 0°–355°

#### Lens

Lens Type	Fixed-focal				
Lens Mount	M12				
Focal Length	2.1 mm				
Max. Aperture	F2.0				
Field of View	LDC is disabled: Horizontal: 180°; Vertical: 78°; Diagonal: 180° LDC is enabled (by default): Horizontal: 170°; Vertical: 75°; Diagonal: 175°				
Close Focus Distance	0.6 m (1.97 ft)				
DORI Distance	Lens	Detect	Observe	Recognize	Identify
	2.1 mm	52.0 m (170.60 ft)	20.8 m (68.24 ft)	10.4 m (34.12 ft)	5.2 m (17.06 ft)

#### Intelligence

IVS (Perimeter Protection)	Intrusion, tripwire (the two functions support the classification and accurate detection of vehicle and human)
SMD 3.0	Less false alarm, longer detection distance
Smart Search	Work together with Smart NVR to perform refine intelligent search, event extraction and merging to event videos

#### Video

Video Compression	H.265; H.264; H.264B; MJPEG (Only supported by the sub stream)
Smart Codec	Smart H.265+; Smart H.264+
AI Coding	AI H.265; AI H.264

Video Frame Rate	Main stream: 2880 × 1620 @ (1–20 fps) / 2688 × 1520 @ (1–25/30 fps) sub stream: 704 × 576 @ (1–25 fps) / 704 × 480 @ (1–30 fps) third stream: 1920 × 1080 @ (1–25/30 fps) *The values above are the max. frame rates of each stream; for multiple streams, the values will be subjected to the total encoding capacity.
Stream Capability	3 streams
Resolution	5M (2880 × 1620); 4M (2688 × 1520/2560 × 1440); 3M (2048 × 1536); 2304 × 296 ; 1080p(1920 × 1080); 1.3M (1280 × 960); 720p(1280×720); D1 (704×576/704×480); VGA(640 × 480); CIF(352 × 288/352 × 240)
Bit Rate Control	CBR/VBR
Video Bit Rate	H.264: 3 kbps–8192 kbps; H.265: 3 kbps–8192 kbps
Day/Night	Auto (ICR)/Color/B/W
BLC	Yes
HLC	Yes
WDR	120dB
Scene Self-adaptation (SSA)	Yes
White Balance	Auto; natural; street lamp; outdoor; manual; regional custom
Gain Control	Auto; Manual
Noise Reduction	3D NR
Motion Detection	OFF/ON (4 areas, rectangular)
Region of Interest (RoI)	Yes (4 areas)
Smart Illumination	Yes
Defog	Yes
Image Rotation	0°/90°/180°/270° (Support 90°/270° with 2688×1520 resolution and lower)
Mirror	Yes
Privacy Masking	4 areas
Audio	
Built-in MIC	Yes
Audio Compression	G.711a; G.711Mu; PCM; G.726; G.723
Alarm	
Alarm Event	No SD card; SD card full; SD card error; network disconnection; IP conflict; illegal access; motion detection; video tampering; tripwire; intrusion; fast moving; abandoned object; missing object; loitering detection; people gathering; parking detection; scene changing; audio detection; voltage detection; external alarm; SMD; security exception
Network	
Network Port	RJ-45 (10/100 Base-T)
SDK and API	Yes

Cyber Security	Video encryption; configuration encryption; Digest; WSSE; account lockout; security logs; generation and importing of X.509 certification; HTTPS; trusted boot; trusted execution; trusted upgrade
Network Protocol	IPv4; IPv6; HTTP; TCP; UDP; ARP; RTP; RTSP; RTCP; RTMP; SMTP; FTP; SFTP; DHCP; DNS; DDNS; QoS; UPnP; NTP; Multicast; ICMP; IGMP; NFS; SAMBA; PPPoE; SNMP
Interoperability	ONVIF (Profile S/Profile G/Profile T); CGI; P2P
User/Host	20 (Total bandwidth: 64 M)
Storage	FTP; SFTP; Micro SD card (support max. 256 GB); NAS
Browser	IE Chrome Firefox
Management Software	Smart PSS; DSS; DMSS
Mobile Client	iOS; Android

**Certification**

Certifications	CE-LVD:EN62368-1; CE-EMC: Electromagnetic Compatibility Directive 2014/30/EU; FCC: 47 CFR FCC Part 15, Subpart B; UL/CUL: UL62368-1 & CAN/CSA C22.2 No. 62368-1-14
----------------	---

**Port**

Audio Input	1 channel (RCA port)
Audio Output	1 channel (RCA port)
Alarm Input	1 channel in: 5 mA 3–5V DC
Alarm Output	1 channel out: 1,000 mA 30V DC/500mA 50V DC

**Power**

Power Supply	12 VDC/PoE
Power Consumption	Basic: 3.2W (12 V DC); 3.9 W (PoE) Max. (H.265+main stream/IR intensity+IR on): 6.4 W (12V DC); 7.7 W (PoE)

**Environment**

Operating Temperature	-40 °C to +60 °C (-40 °F to +140 °F)/Less than 95% RH
Storage Temperature	-40 °C to +60 °C (-40 °F to +140 °F)
Protection	IP67, IK10

**Structure**

Casing	Metal
Product Dimensions	94 mm × Φ122.0 mm (3.70" × Φ4.80")
Net Weight	500 g (1.10 lb)
Gross Weight	770 g (1.69 lb)

**Ordering Information**

Type	Model	Description
4MP Camera	DH-IPC-HDBW3441R-AS-P	4MP Wide Angle Fixed Dome WizSense Network Camera
	IPC-HDBW3441R-AS-P	4MP Wide Angle Fixed Dome WizSense Network Camera
Accessories (optional)	PFA137	Junction Box Bracket
	PFA109	Mount Adapter
	PFB220C	Ceiling Mount Bracket
	PFB203W	Wall Mount
	PFA152-E	Pole Mount
	PFM321D	12 VDC 1 A Power Adapter
	PFM900-E	Integrated Mount Tester
TF-P100	TLC SD Card	

**Accessories**

Optional:



PFA137  
Junction  
Box Bracket



PFA109  
Mount  
Adapter



PFB220C  
Ceiling Mount  
Bracket



PFM321D  
12 VDC 1 A  
Power Adapter



PFB203W  
Wall  
Mount



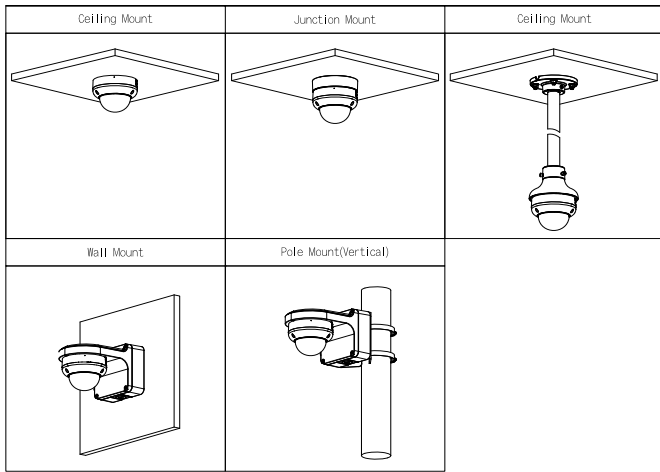
PFA152-E  
Pole  
Mount



PFM900-E  
Integrated  
Mount Tester



TF-P100  
TLC SD  
Card



**Dimensions (mm[inch])**

