

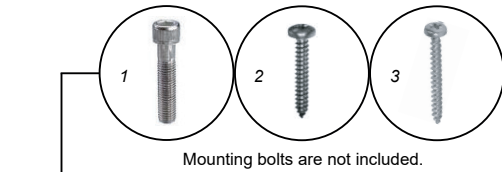
LoXS Locker unit Mifare Flush mounting-DIN left and DIN right mounting

1

accessories

Mounting bolts (4x), bolt type depends on the materials.
Prescribed bolts are:
1- M4 x 30 Hexagon socket head screw - ISO 4762.
2- 3.9 x 38 Cross recessed pan head tapping screws - ISO 7049.
3- 4 x 40 Chipboard screw, oval head - DIN 7505.

scan this QR label to watch the instruction film



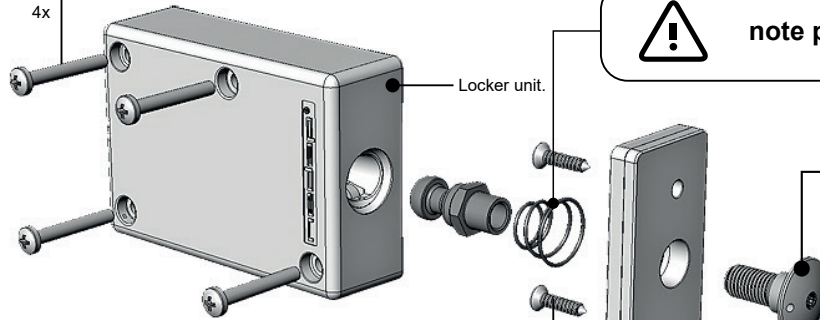
Mounting bolts are not included.



lubricants, coatings and sprays are not allowed.



note position conical compression spring



Locker pin set (short / long).
Short: for locker doors 8 - 15mm.
Long: for locker doors 13 - 20mm.

Mounting bolts (2x), bolt type depends on the materials.
**length of the bolts depends on the thickness of the door.
Prescribed bolts are:
4- M4 x ** Hexagon socket head screw - ISO 4762.
5- 4 x ** Chipboard screw, oval head - DIN 7505.

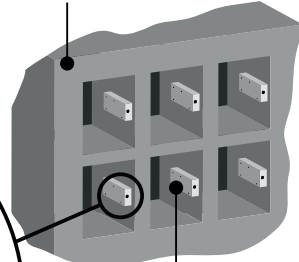


2

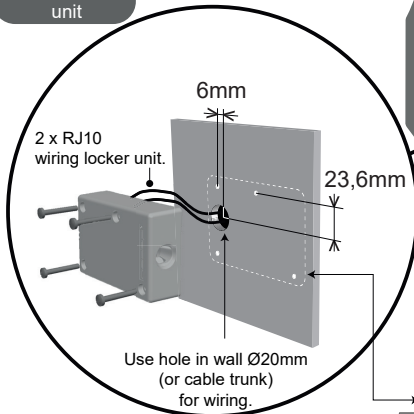
preparation / mounting locker unit

all dimensions in mm.

Lockers

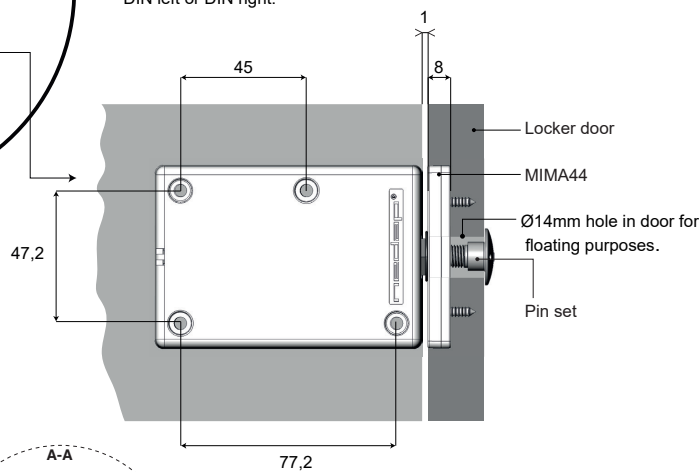
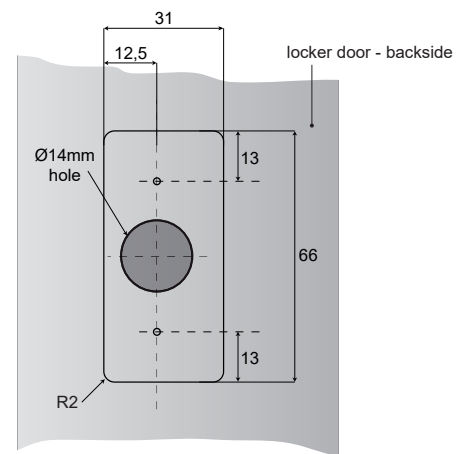


Locker unit can be mounted DIN left or DIN right.

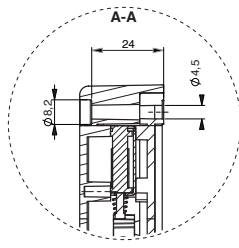
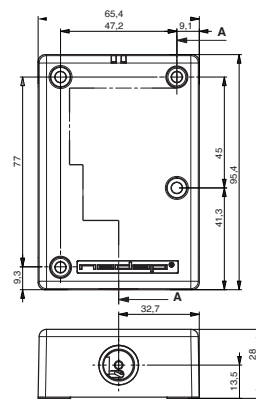
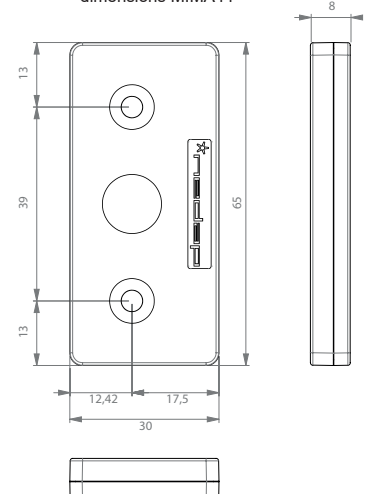


Use hole in wall Ø20mm (or cable trunk) for wiring.

cut-out in locker door for MIMA44

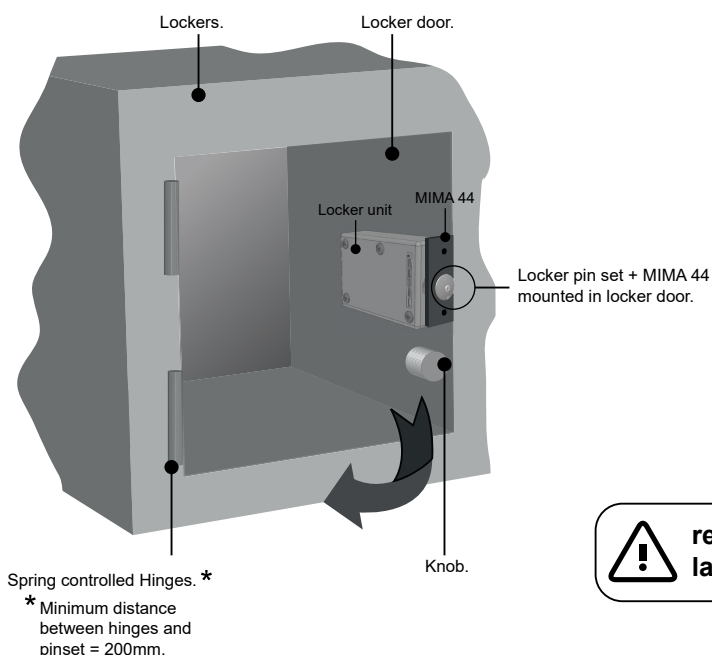


dimensions MIMA44



3

preparation /
mounting locker
pin set



Prescribed materials for locker door:

- Wood
 - Plastic
 - HPL (High Pressured Laminate)
- Not allowed:
- Metals (Ferro and non-ferro)
 - Metal coatings or metalfoil

Reading distance:

- Card 30mm
- DESFire 15mm
- Keyfob 20mm



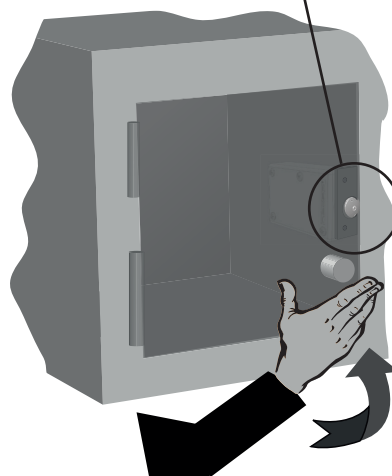
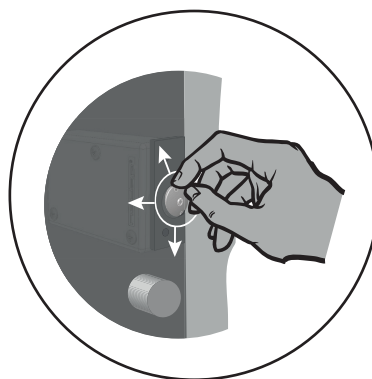
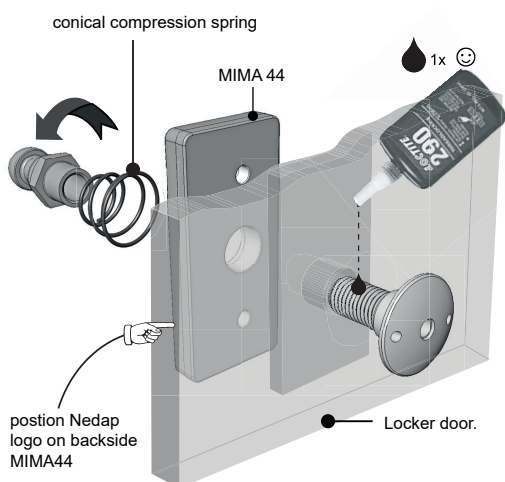
reading distance depends on manufacturer's label and quality. pre-test the reading distance

2

Check floating of pin in the door (typical floating force 10N vertical and horizontal).
Close door gently at first time.
Check the mating of locker pin set and locker unit for smooth operation.
Door closing force 2N minimum.

1

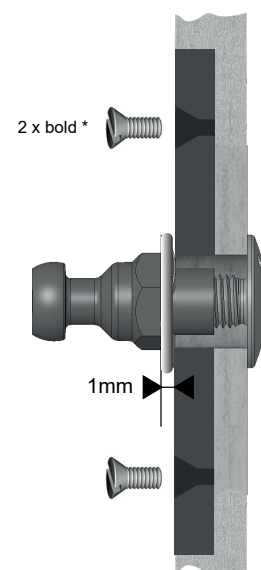
Apply a threadlocker (e.g. Loctite 290) onto the thread of the pin tip to avoid self loosening.
Mount the pin set in the correct order (screw, door, MIMA 44, spring, stud as in drawing) hand tight into the hole in the door.



3

Attach the MIMA at the door.
Use prescribed bolts (depending on door type and door thickness).

see also **1** accessories at page 1!



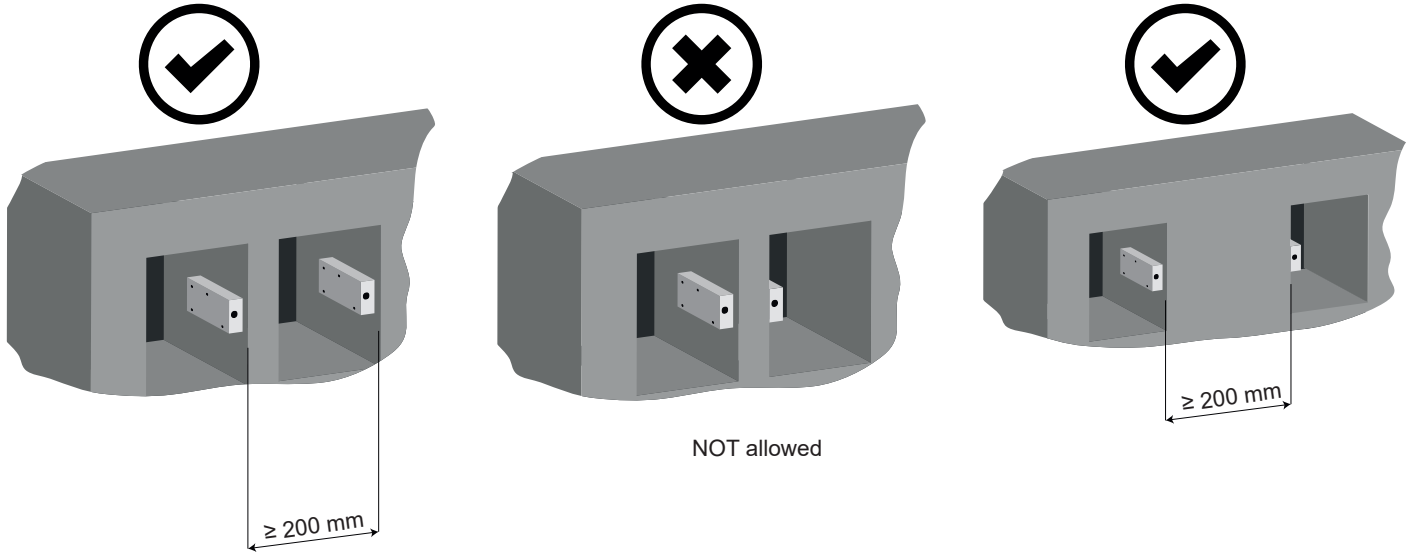
Do not use glue to attach the MIMA at the door.

LoXS Locker unit Mifare Flush mounting-DIN left and DIN right mounting

4a

Minimal distance between locker units is 200mm

Note

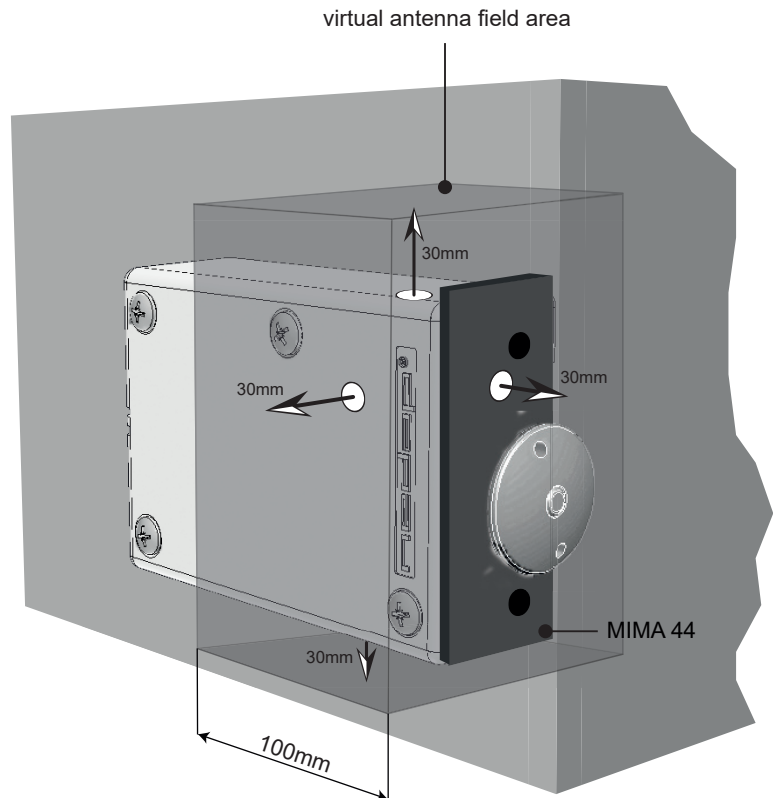


4b

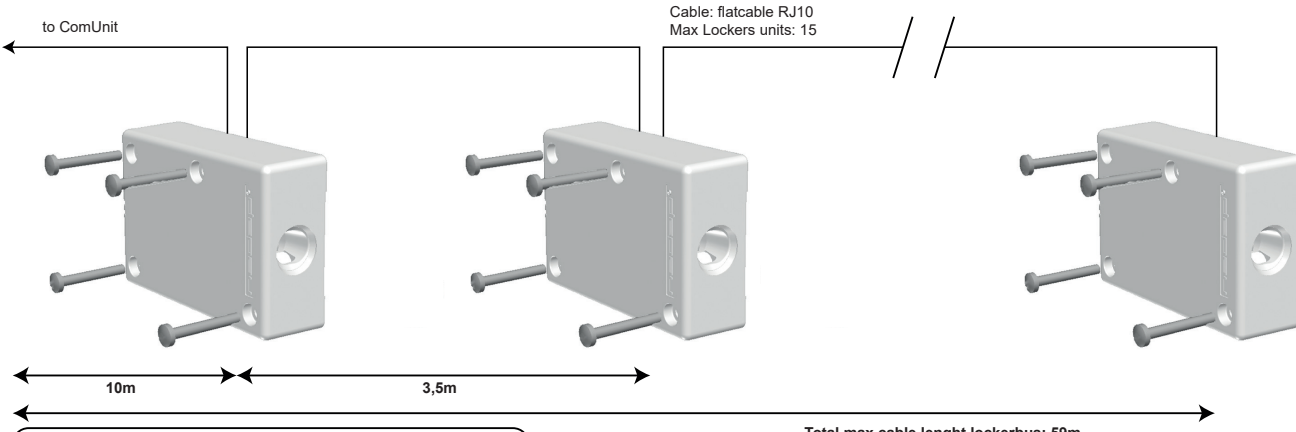
Note



Keep antenna area free from metals (ferro and non ferro) for 30mm (see illustration) for proper functioning!



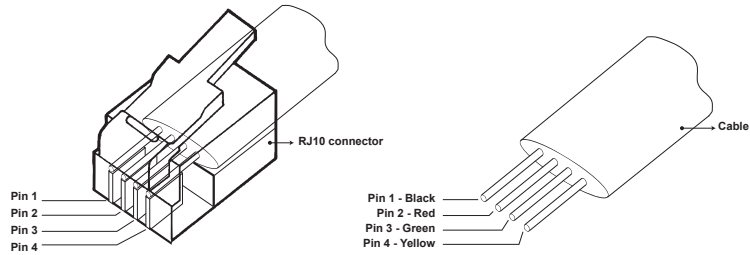
Specifications



Remark: the first 10 meters depends on the total length of the cable. If for example 4 locks are used, the first lock can be placed on $59 - (4 \times 3,5) = 45$ meters from the Com Unit 2G.



- Crimping tool: Radiall R280 MOD395
- Cable: Radiall R280 MOD014 - (max. 140 ohm / 1000m)
- Plug: Radiall R280 MOD4X4
- Use proper tooling for assembling.
- Follow the instructions supplied with the tooling for correct mounting of the cable connector.



Cable testing

