



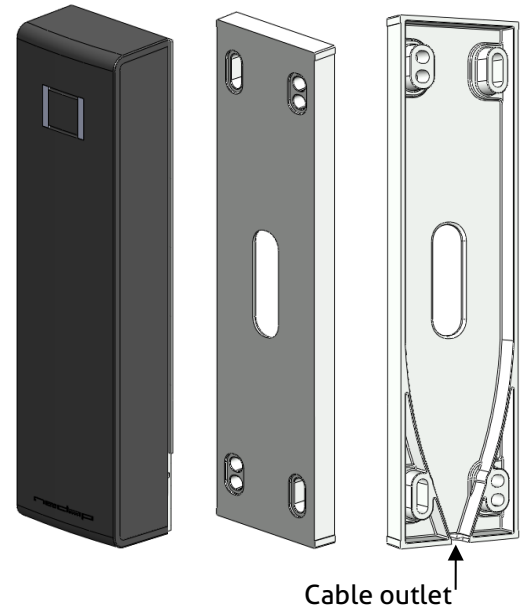
Surface mounting set Invexs190 Spacer for Invexs190

1. General

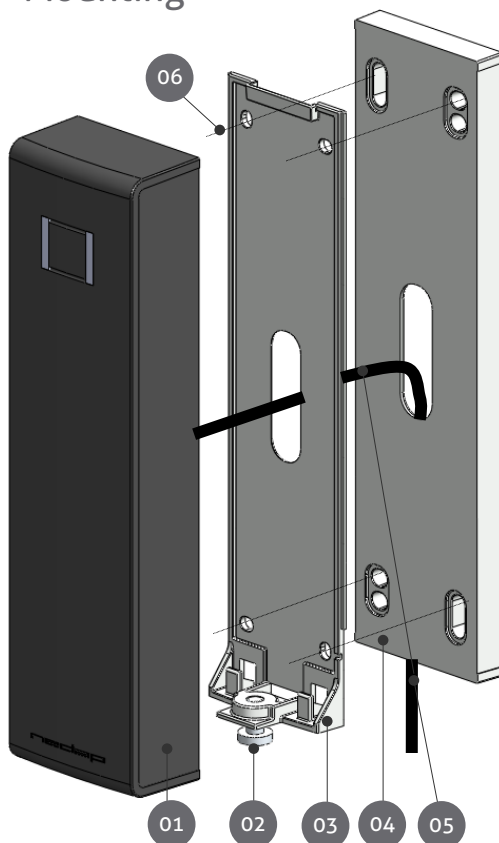
The *Surface mounting set Invexs190* (Product nr. 9949887) can be used to place Invexs190 readers and lead the pigtail cable to the upper or bottom side (instead of going straight backwards). This *spacer* can be used for all Invexs190 models. The set includes only the mounting bracket, screws are **not** included.

With this mounting set (spacer) the ruggedized, water resistant Invexs190 reader can be placed on a wall without leading the cable straight backwards from the Invexs through the wall. The spacer can be placed in such a way that the cable outlet can point to the upper or the bottom side, depending on how the cable conduit is placed.

Invexs190 Spacer front Spacer back



2. Mounting



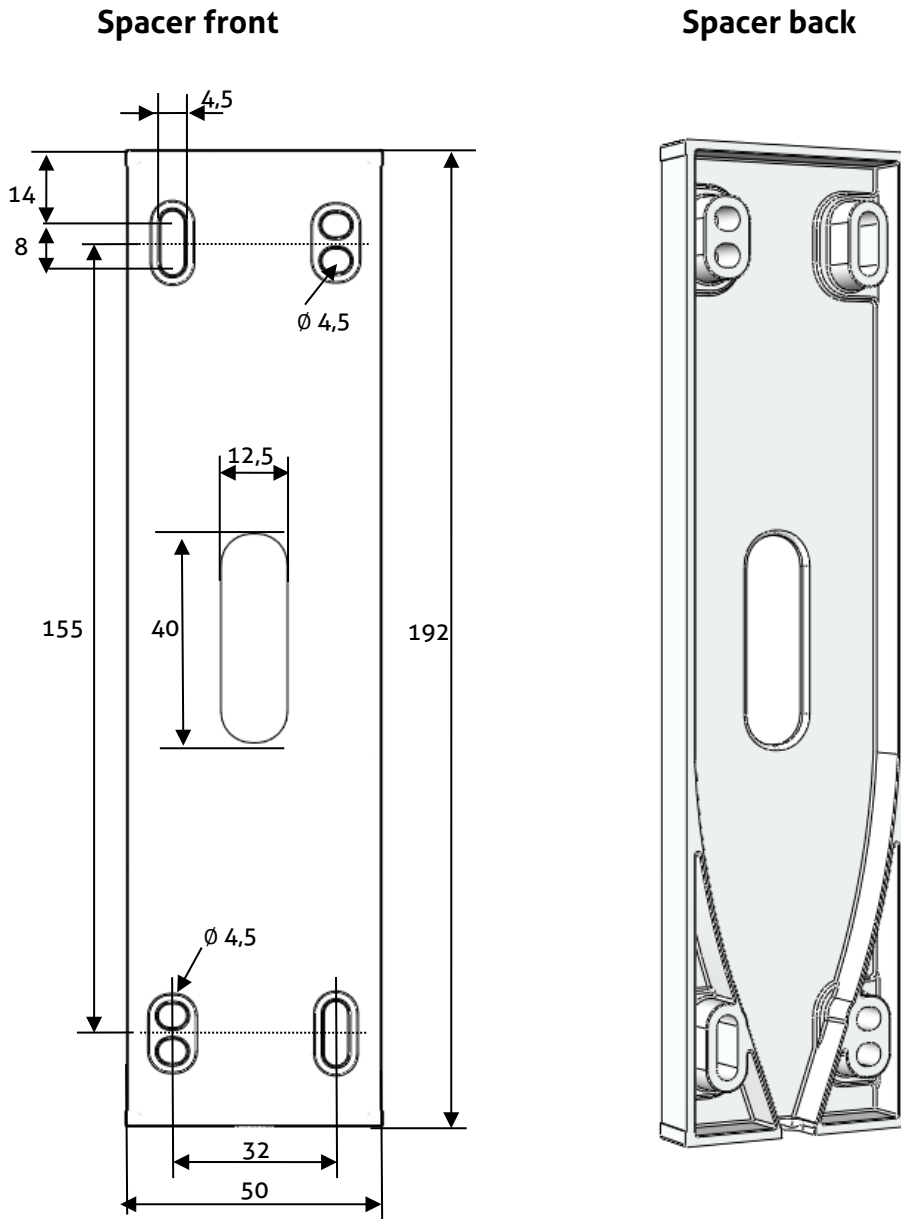
1. Determine correct position of the Invexs190
2. Check *Invexs190 Installation sheet* for de-tailed information about the Invexs190
3. Fasten the mounting plate **03** together with the spacer **04** with screws **06** to the correct position on the wall. The pigtail cable **05** must be bend slightly to make a suitable curve to the outlet of the spacer (upper or bottom side)
4. Place the Invexs190 **01** on its mounting plate.
5. Gently pull the cable **05** to prevent unwanted damage of the cable by getting folded behind the spacer whilst placing the Invexs190.
6. Tighten the Invexs190 by tighten up the Torx M5 screw **02** at the bottom.

Screws for mounting the spacer to, e.g., a wall can differ pro installation and are therefore not included. Max dimensions of mounting screws: Head of the screw max round 8 mm, steel max 4.5 mm, see also dimensions on next page. Length depending on local situations.

Date: 28-03-2017 Version 2.0 Document no.: 5279593

This information is furnished for guidance, and with no guarantee as to its accuracy or completeness; its publication conveys no license under any patent or other right, nor does the publisher assume liability for any consequence of its use; specifications and availability of goods mentioned in it are subject to change without notice; it is not to be reproduced in any way, in whole or in part, without the written consent of the publisher.
© Nedap N.V., P.O. Box 103, NL-7140 AC GROENLO, The Netherlands

3. Dimensions (in millimetres)



SPECIFICATIONS Surface Mounting Set Inveys 190 (article no. 9949887)

Dimensions:	192 x 51 x 10 mm (max)	Weight:	± 75 gr
Device:	Check Installation sheet of appropriate device	Material:	Aluminium, painted

MORE INFORMATION: Contact your local Nedap supplier or check our website www.nedapsecurity.com