

# DH-PFA143

Outdoor Surveillance Box



## Features

- All-aluminum shell design, IP66, IK10
- Satisfy the installation of power supply, switch, MNVR and protective devices
- Optional fans for high temperature heat dissipation
- Tamper alarm function with an optional alarm switch
- Aesthetic design, easy installation

## Technical Specification

**Model** DH-PFA143

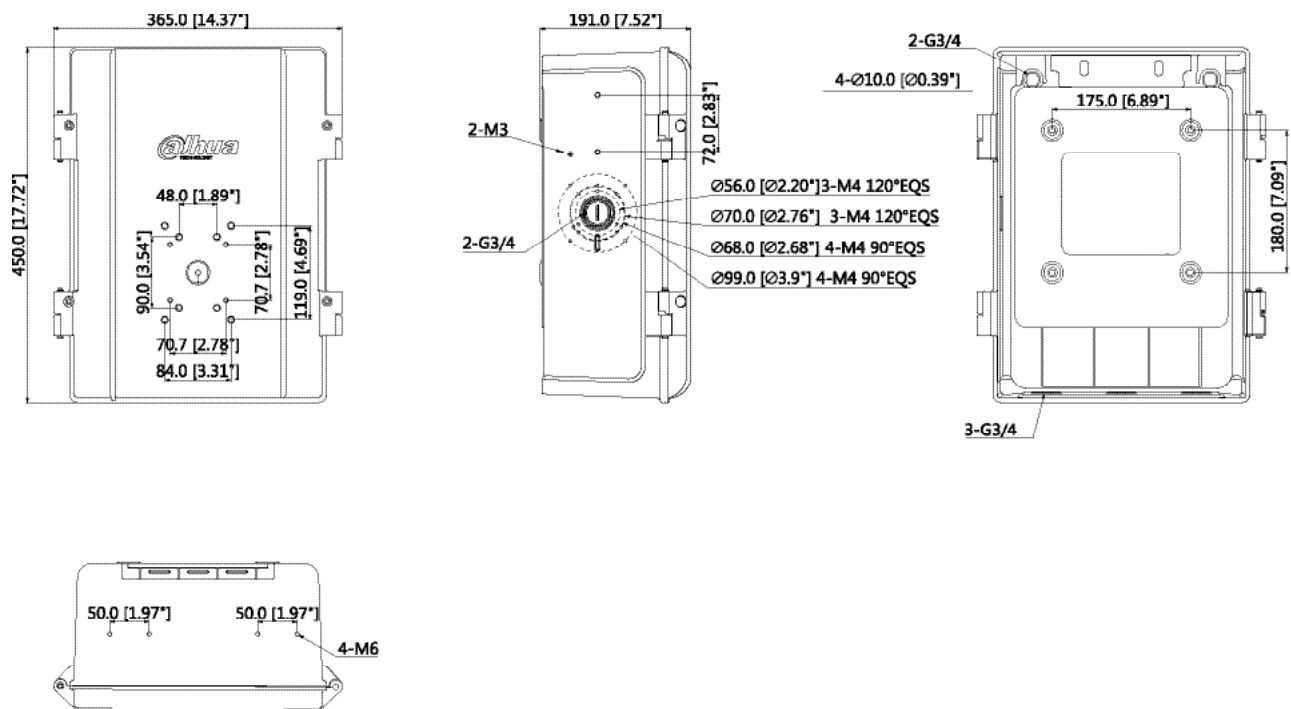
### General

Material	Aluminum & SECC
Dimension (WxHxD)	450mmx365mmx191mm (17.72"x14.37"x7.52")
Weight	9kg (19.84lb)
Load Bearing (front)	10kg (22.05lb)
Load Bearing (side)	6kg (13.23lb)
Load Bearing (inside)	5kg (11.02lb)
Color	White
Operating Temperature	-40 °C ~+60 °C (-40 °F ~+140 °F)
Humidity	0~90% RH
Installation	Wall mount
Applicable Model	Please see "Accessory Selector" on <a href="http://www.dahuasecurity.com">www.dahuasecurity.com</a>

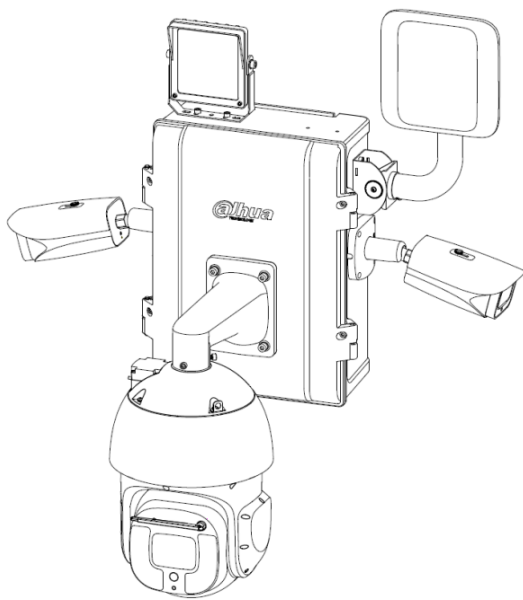
## Ordering Information

Type	Part Number	Description
Camera Mount Series	DH-PFA143	Outdoor surveillance box
	PFA143	Outdoor surveillance box

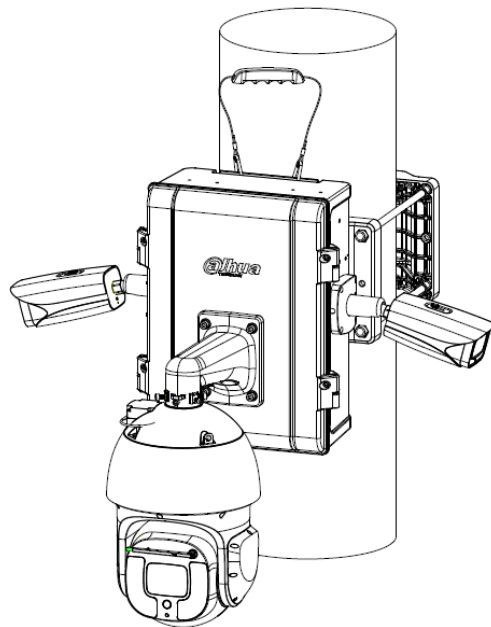
## Dimension(mm/inch)



## Application



Wall mount



Pole mount

## Package Information

- Outdoor surveillance box DH-PFA143 \*1
- M8x80 expansion bolt \*4
- M8x30 screw \*4
- M6x10 bolt \*8
- M4x10 screw \*8
- M4x14 screw \*4
- M4x8 screw \*6
- M3x8 screw \*2
- S3.0 wrench \*1
- S5.0 wrench \*1
- S6.0 wrench \*1
- Water joint \*5
- Sealing plug \*2
- Sealing ring \*1
- Assistant handle \*1
- Terminal block \*2
- Rail block \*3
- User manual \*1