

DHI-ASGG520T

Tripod Turnstile



System Overview

The ASGG5 series tripod turnstile is an access control equipment fitted with an access controller, arm control module, alarm module, and more. It can form a comprehensive access control system if expanded with other devices, such as an IC card reader, fingerprint scanner, QR code reader, and face recognition module.

Scene

Applicable to residential areas, schools, government facilities, factories, industrial parks, office buildings, and more.

Technical Specification

Basic

| | |
|--------------------|---|
| Product Dimensions | 1200 mm × 200 mm × 980 mm (47.24" × 7.87" × 38.58") |
| Casing | Cabinet Thickness SUS304 1.5 mm (0.06") |
| Arm Material | Stainless steel |

Function

| | |
|------------------------|-----|
| Anti-collision | Yes |
| Memory Mode | Yes |
| Anti-trailing | Yes |
| Sound and Light Prompt | Yes |
| People Counting | Yes |
| Alarm | Yes |

Performance

| | |
|--------------------|-------------------------|
| Unlocking Duration | 2–60 s (5 s by default) |
| MCBF | > 3,000,000 |
| Passing Frequency | 20–40 people/minute |
| Passage Width | 600 mm (23.62") |

- Anti-collision
- Adjustable unlock duration
- Locks the arms after the unlock duration
- Locks or unlocks the turnstile with a remote control (optional)
- Reset parameters using the configuration application
- Sound and light prompts and adjustable volume
- Supports memory mode
- Supports unlocking the arms when powered off
- MCBF > 3,000,000
- Turns to always open status when it receives a fire alarm
- Supports outputting alarm signals
- Supports 9 passing modes, including passing with identity verification, no passing, and free passing
- Integrates face recognition, fingerprint and QR code modules for various unlock methods

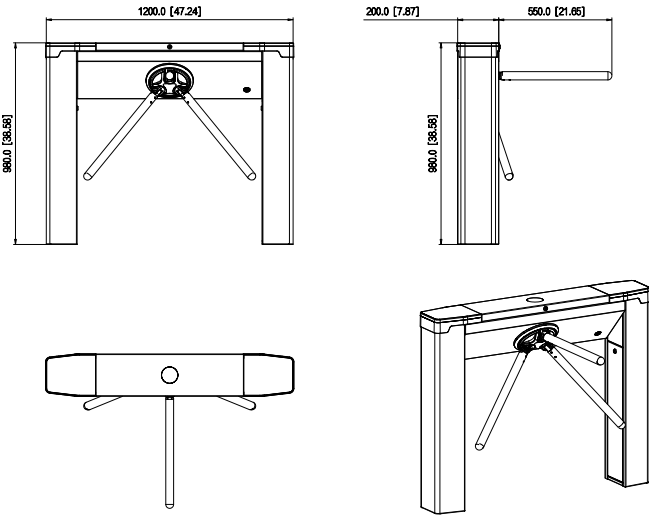
General

| | |
|-----------------------|--------------------------------------|
| Net Weight | 37 kg (81.57 lb) |
| Gross Weight | 60 kg (132.28 lb) |
| Protection Grade | IPX4 |
| Power Consumption | Standby ≤ 10 W; working: ≤ 40 W |
| Operating Temperature | –25 °C to +70 °C (–13 °F to +158 °F) |
| Operating Humidity | 5%–93% (RH), non-condensing |
| Operating Environment | Indoor and outdoor |

Ordering Information

| Type | Model | Description |
|------------------|--------------|--|
| Tripod turnstile | DHI-ASGG520T | Tripod turnstile for outdoor use |
| Cabinet | DHI-ASGG500T | An empty cabinet for all necessary components to form a tripod turnstile |

Dimensions (mm[inch])



Application

