

# DHI-ASGG520T

## Tripod Turnstile



### System Overview

The ASGG5 series tripod turnstile is an access control equipment fitted with an access controller, arm control module, alarm module, and more. It can form a comprehensive access control system if expanded with other devices, such as an IC card reader, fingerprint scanner, QR code reader, and face recognition module.

### Scene

Applicable to residential areas, schools, government facilities, factories, industrial parks, office buildings, and more.

### Technical Specification

#### Basic

Product Dimensions	1200 mm × 200 mm × 980 mm (47.24" × 7.87" × 38.58")
Casing	Cabinet Thickness SUS304 1.5 mm (0.06")
Arm Material	Stainless steel

#### Function

Anti-collision	Yes
Memory Mode	Yes
Anti-trailing	Yes
Sound and Light Prompt	Yes
People Counting	Yes
Alarm	Yes

#### Performance

Unlocking Duration	2–60 s (5 s by default)
MCBF	> 3,000,000
Passing Frequency	20–40 people/minute
Passage Width	600 mm (23.62")

- Anti-collision
- Adjustable unlock duration
- Locks the arms after the unlock duration
- Locks or unlocks the turnstile with a remote control (optional)
- Reset parameters using the configuration application
- Sound and light prompts and adjustable volume
- Supports memory mode
- Supports unlocking the arms when powered off
- MCBF > 3,000,000
- Turns to always open status when it receives a fire alarm
- Supports outputting alarm signals
- Supports 9 passing modes, including passing with identity verification, no passing, and free passing
- Integrates face recognition, fingerprint and QR code modules for various unlock methods

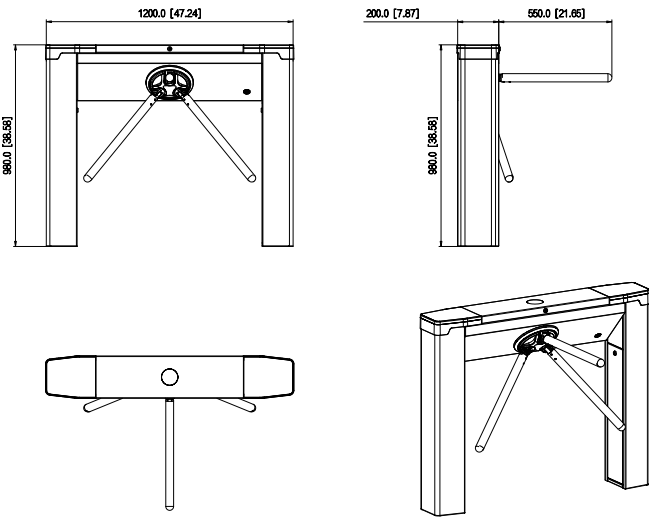
### General

Net Weight	37 kg (81.57 lb)
Gross Weight	60 kg (132.28 lb)
Protection Grade	IPX4
Power Consumption	Standby ≤ 10 W; working: ≤ 40 W
Operating Temperature	–25 °C to +70 °C (–13 °F to +158 °F)
Operating Humidity	5%–93% (RH), non-condensing
Operating Environment	Indoor and outdoor

### Ordering Information

Type	Model	Description
Tripod turnstile	DHI-ASGG520T	Tripod turnstile for outdoor use
Cabinet	DHI-ASGG500T	An empty cabinet for all necessary components to form a tripod turnstile

Dimensions (mm[inch])



Application

