

# DHI-ASI2201H-W / DHI-ASI2201H-DW

## Access Standalone



### System Overview

With a high-end design, the access controller is equipped with a powerful processor that empowered by deep-learning algorithms. It also supports unlock modes including cards, passwords and their combination.

### Scene

The access controller is applied to access control scenarios such as office buildings, schools, parks, apartment complex, factories, business center, government buildings and more.

### Technical Specification

#### System

Main Processor	High-performance embedded processor
Network Protocol	IPv4; TCP; UDP; P2P

#### Basic

Display Screen	2.4" LCD
Screen Type	LCD
Resolution	240 (H) × 320 (V)
Voice Prompt	Yes
Buzzer	Yes
Casing	PC + ABS/acrylic panel

#### Function

Unlock Mode	Card/Remote/Password unlock and unlock through their combinations
Card Type	IC or ID card
Period List	128
Holiday Period	128
Network Update	Yes

- PC + ABS, suitable for indoor and outdoor use.
- 2.4" LCD screen with a resolution of 240 × 320.
- Operating temperature: -30 °C to +65 °C (-22 °F to +149 °F).
- IP65 rated (silicone sealant is needed, see Quick Start Guide).
- Option to switch between reader and controller mode for added convenience.
- 30,000 users, 30,000 cards, 30,000 passwords, 50 admin accounts, and 150,000 records.
- Card/remote/password unlock and unlock through their combinations.
- IC card, ID card and NFC technology.
- Brand-new design with a slim, elegant structure.
- Supports access control security module expansion to avoid tampering, increasing access safety.
- Supports duress alarm, tamper alarm, intrusion alarm, door contact timeout alarm, illegal card exceeding threshold alarm, illegal password exceeding threshold alarm and external alarm.
- Supports guest users, patrol users, blocklist users, VIP users, general users, and others.
- TCP/IP and Wi-Fi communication; auto registration, P2P registration, and DHCP.
- Supports PC/mobile web client.
- Supports online update and USB update.
- Doorbell function.
- Audio prompts.
- Compatible with SmartPSS-AC and DSS Pro.

First User Unlock	Yes
Remote Verification	Yes
Restricted List/Trusted List	Yes
Wi-Fi	Yes
Peripheral Card Reader	1 × RS-485 card reader 1 × Wiegand card reader
Multi-user Authentication	Yes
Multi-factor Authentication	Yes
Web Configuration	Yes
Auto Registration	Yes

#### Performance

Card Reading Distance	0-5 cm (0" to 1.97")
-----------------------	----------------------

#### User

User (Card) Type	General user, VIP user, patrol user, guest user, blocklist user and others
------------------	----------------------------------------------------------------------------

Capacity

User Capacity	30,000 users
Card Capacity	30,000
Password Capacity	30,000
Record Capacity	150,000 unlock records

Port

RS-485	1
RS-232	1
Wiegand	1-ch input/output
USB	1 × USB2.0 port
Network Port	1 × RJ-45, 100 Mbps
Alarm Input	2 (digital quantity)
Alarm Output	1 (relay)
Alarm Linkage	Yes
Doorbell	1
Exit Button	1
Door Status Detection	1
Lock Control	1

Alarm

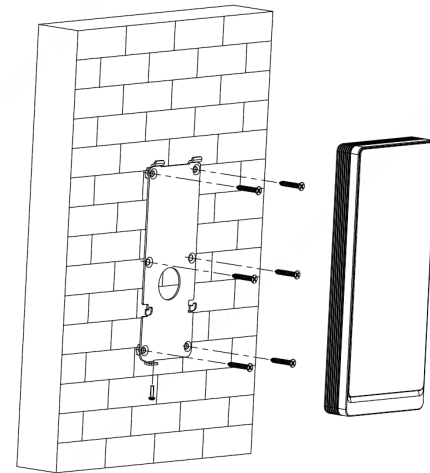
Anti-pass Back	Yes
Tamper Alarm	Yes
Duress Alarm	Yes
Door Sensor Timeout	Yes
Intrusion	Yes
Illegal Card Exceeding Threshold	Yes

General

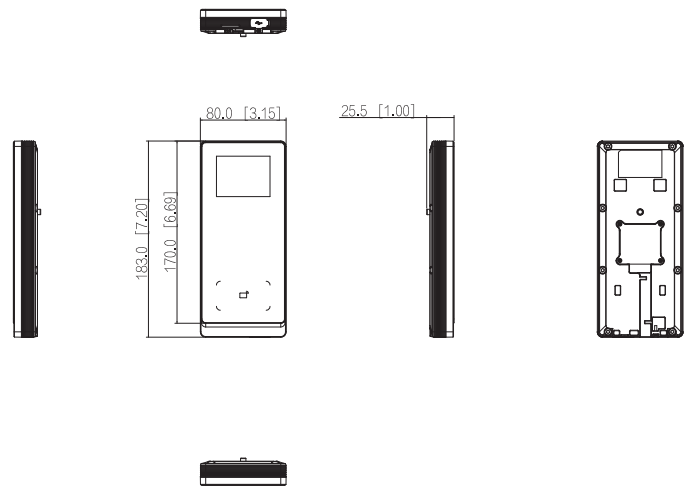
Power Adapter	Optional
Power Supply	12 V DC, 1 A
Protection	IP65 (silicone sealant is needed, see the quick start guide)
Power Consumption	≤ 12 W
Product Dimensions	183 mm × 80 mm × 25.5 mm (7.20" × 3.15" × 1.00") (H × W × D)
Packaging Dimensions	248 mm × 143 mm × 66 mm (9.76" × 5.63" × 2.60") (H × W × D, 1 in an inner carton)
Operating Temperature	-30 °C to +65 °C (-22 °F to +149 °F)
Operating Humidity	10%–95% (RH), no condensing
Operating Environment	Indoor; outdoor
Net Weight	262 g (0.58 lb)

Gross Weight	462 g (1.02 lb)
Accessory	Bracket (included)
Installation	Surface mount
Certifications	CE; FCC

Installation



Dimensions (mm[inch])



Panels

