

Card Reader

User's Manual






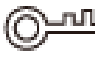

Foreword

General

This manual introduces the functions and operations of the Card Reader. Read carefully before using the device, and keep the manual safe for future reference.

Safety Instructions

The following signal words might appear in the manual.

Signal Words	Meaning
 DANGER	Indicates a high potential hazard which, if not avoided, will result in death or serious injury.
 WARNING	Indicates a medium or low potential hazard which, if not avoided, could result in slight or moderate injury.
 CAUTION	Indicates a potential risk which, if not avoided, could result in property damage, data loss, reductions in performance, or unpredictable results.
 TIPS	Provides methods to help you solve a problem or save time.
 NOTE	Provides additional information as a supplement to the text.

Revision History

Version	Revision Content	Release Time
V1.0.2	Added unlock methods and system updating.	December 2022
V1.0.1	Updated device models and added bluetooth card reader.	December 2021
V1.0.0	First release.	October 2020

Privacy Protection Notice

As the device user or data controller, you might collect the personal data of others such as their face, fingerprints, and license plate number. You need to be in compliance with your local privacy protection laws and regulations to protect the legitimate rights and interests of other people by implementing measures which include but are not limited: Providing clear and visible identification to inform people of the existence of the surveillance area and provide required contact information.

About the Manual

- The manual is for reference only. Slight differences might be found between the manual and the product.
- We are not liable for losses incurred due to operating the product in ways that are not in compliance with the manual.
- The manual will be updated according to the latest laws and regulations of related jurisdictions. For detailed information, see the paper user's manual, use our CD-ROM, scan the QR code or visit our official website. The manual is for reference only. Slight differences might be found between the electronic version and the paper version.
- All designs and software are subject to change without prior written notice. Product updates

might result in some differences appearing between the actual product and the manual. Please contact customer service for the latest program and supplementary documentation.

- There might be errors in the print or deviations in the description of the functions, operations and technical data. If there is any doubt or dispute, we reserve the right of final explanation.
- Upgrade the reader software or try other mainstream reader software if the manual (in PDF format) cannot be opened.
- All trademarks, registered trademarks and company names in the manual are properties of their respective owners.
- Please visit our website, contact the supplier or customer service if any problems occur while using the device.
- If there is any uncertainty or controversy, we reserve the right of final explanation.

Important Safeguards and Warnings

This section introduces content covering the proper handling of the Card Reader, hazard prevention, and prevention of property damage. Read carefully before using the Card Reader, and comply with the guidelines when using it.

Transportation Requirement



Transport, use and store the Card Reader under allowed humidity and temperature conditions.

Storage Requirement



Store the Card Reader under allowed humidity and temperature conditions.

Installation Requirements



- Do not connect the power adapter to the Card Reader while the adapter is powered on.
- Strictly comply with the local electric safety code and standards. Make sure the ambient voltage is stable and meets the power supply requirements of the Access Controller.
- Do not connect the Card Reader to two or more kinds of power supplies, to avoid damage to the Card Reader.
- Improper use of the battery might result in a fire or explosion.



- Personnel working at heights must take all necessary measures to ensure personal safety including wearing a helmet and safety belts.
- Do not place the Card Reader in a place exposed to sunlight or near heat sources.
- Keep the Card Reader away from dampness, dust, and soot.
- Install the Card Reader on a stable surface to prevent it from falling.
- Install the Card Reader in a well-ventilated place, and do not block its ventilation.
- Use an adapter or cabinet power supply provided by the manufacturer.
- Use the power cords that are recommended for the region and conform to the rated power specifications.
- The power supply must conform to the requirements of ES1 in IEC 62368-1 standard and be no higher than PS2. Please note that the power supply requirements are subject to the Card Reader label.
- The Card Reader is a class I electrical appliance. Make sure that the power supply of the Card Reader is connected to a power socket with protective earthing.

Operation Requirements



- Check whether the power supply is correct before use.
- Do not unplug the power cord on the side of the Card Reader while the adapter is powered on.
- Operate the Card Reader within the rated range of power input and output.
- Use the Card Reader under allowed humidity and temperature conditions.

- Do not drop or splash liquid onto the Card Reader, and make sure that there is no object filled with liquid on the Card Reader to prevent liquid from flowing into it.
- Do not disassemble the Card Reader without professional instruction.

Table of Contents

Foreword	I
Important Safeguards and Warnings	III
1 Introduction	1
1.1 Features	1
1.2 Device Appearance	1
1.2.1 86 Box Model	2
1.2.2 Slim Model	2
1.2.3 Fingerprint Model	3
2 Ports Overview	4
3 Installation	5
3.1 Installing the 86 Box Model	5
3.2 Installing the Slim Model	6
3.3 Installing the Fingerprint Model	7
4 Configuring Bluetooth Card Reader	11
5 Sound and Light Prompt	13
5.1 86 Box and Slim Models	13
5.2 Fingerprint Model	13
6 Unlocking the Door	15
7 Updating the System	16
7.1 Updating through SmartPSS Lite	16
7.2 Updating through Config Tool	16
Appendix 1 Cybersecurity Recommendations	17

1 Introduction

1.1 Features

- PC material and acrylic panel with a slim and waterproof design.
- Supports non-contact card reading.
- Supports IC card (Mifare) reading, ID card reading (only for the Device with ID card reading function), identity card reading (only for the Device with IC and CPU card reading function); QR code reading (only for the Device with QR code reading function); Bluetooth card reader (only for the Device with Bluetooth function).
- Features the built-in PSAM card slot and PSAM card, and supports CPU card identification with improved security based on the SM1 cryptographic algorithm (applicable to the Device with CPU card reading function).
- Supports communication through RS-485 and Wiegand (fingerprint card reader and QR code reader only support RS-485).
- Supports online update.
- Supports tamper alarm.
- Built-in buzzer and indicator light.
- Built-in watchdog to ensure device stability.
- Safe and stable with overcurrent and overvoltage protection.



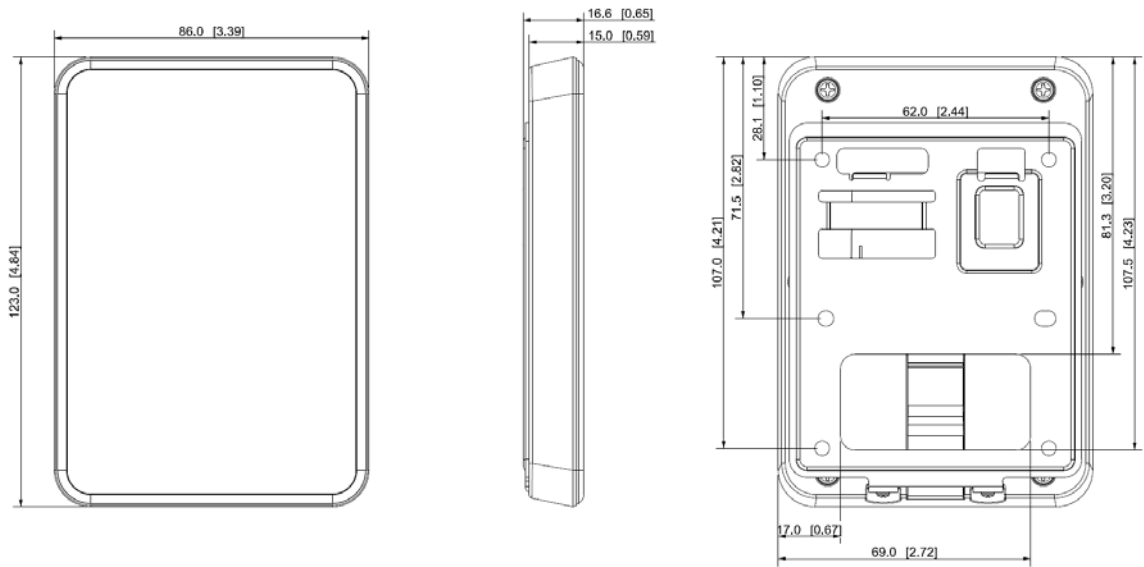
Functions may vary according to different models.

1.2 Device Appearance

The Device can be divided into 86 box model, slim model, and fingerprint mode according to their appearances.

1.2.1 86 Box Model

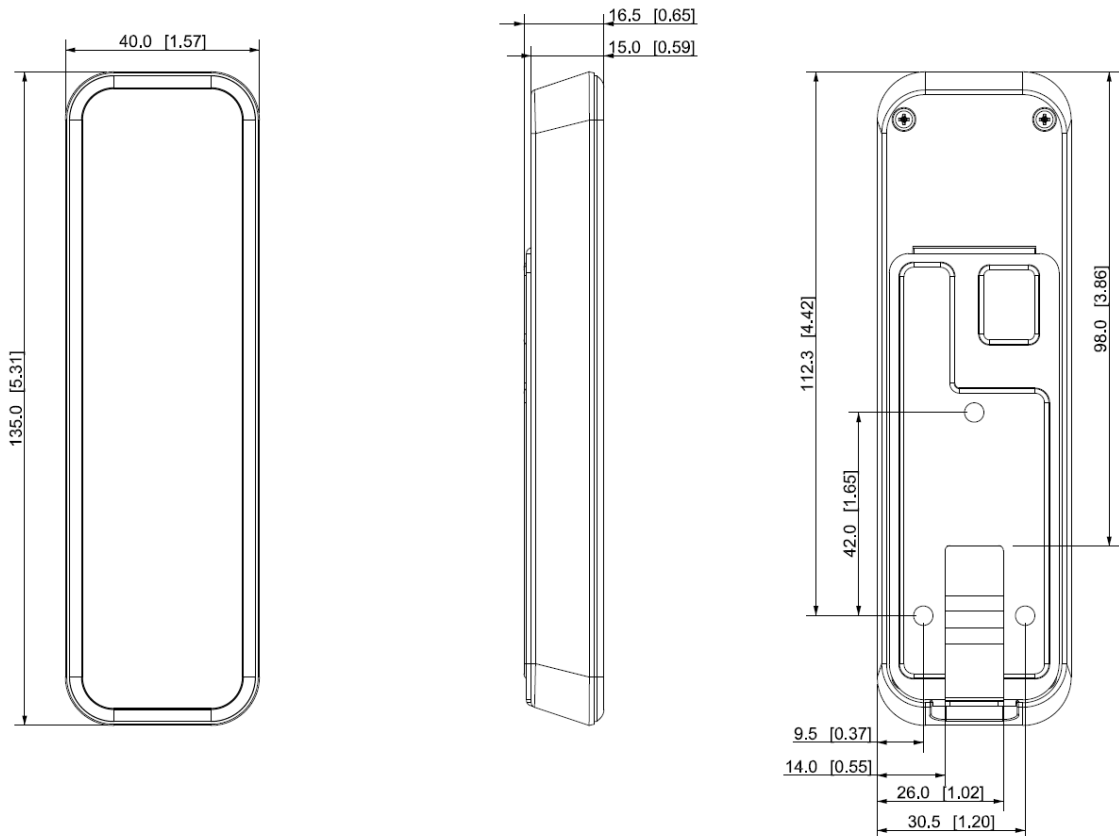
Figure 1-1 Dimensions of the 86 box model (mm [inch])



The 86 box model can be further divided into Bluetooth card reader, QR code card reader, and general card reader according to their functions.

1.2.2 Slim Model

Figure 1-2 Dimensions of the slim model (mm [inch])

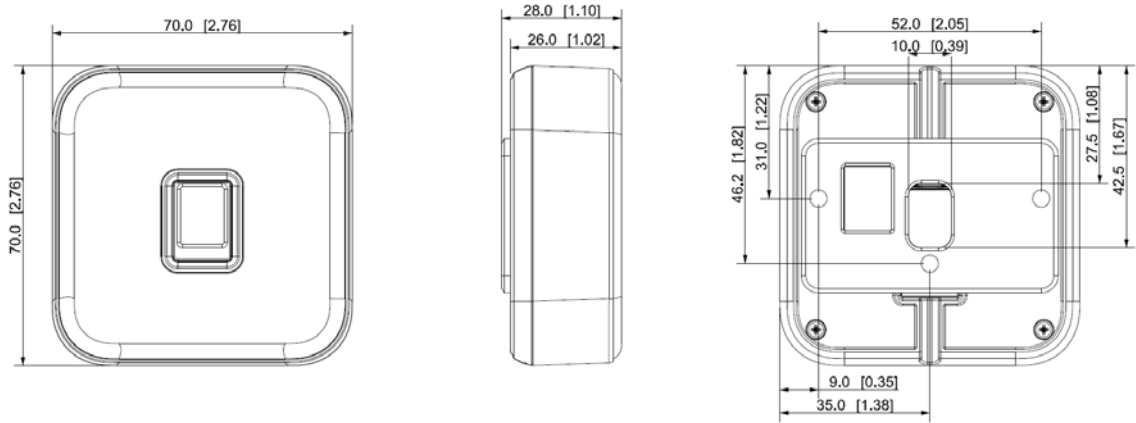




Slim model can be further divided into Bluetooth card reader and general card reader according to their functions.

1.2.3 Fingerprint Model

Figure 1-3 Dimensions of the fingerprint model (mm [inch])



2 Ports Overview



Use RS-485 or Wiegand to connect the Device. Fingerprint model and QR code model only support RS-485.

8-core Cables for the 86 Box and Slim Models

Table 2-1 Cable connection description (1)

Color	Port	Description
Red	RD+	PWR (12 VDC)
Black	RD-	GND
Blue	CASE	Tamper alarm signal
White	D1	Wiegand transmission signal (effective only when using Wiegand protocol)
Green	D0	
Brown	LED	Wiegand responsive signal (effective only when using Wiegand protocol)
Yellow	RS-485_B	
Purple	RS-485_A	

5-core Cables for the Fingerprint Model

Table 2-2 Cable connection description (2)

Color	Port	Description
Red	RD+	PWR (12 VDC)
Black	RD-	GND
Blue	CASE	Tamper alarm signal
Yellow	RS-485_B	
Purple	RS-485_A	

Table 2-3 Cable specification and length

Device Type	Connection Method	Length
RS485 card reader	Each wire must be within 10 Ω .	100 m (328.08 ft)
Wiegand card reader	Each wire must be within 2 Ω .	80 m (262.47 ft)

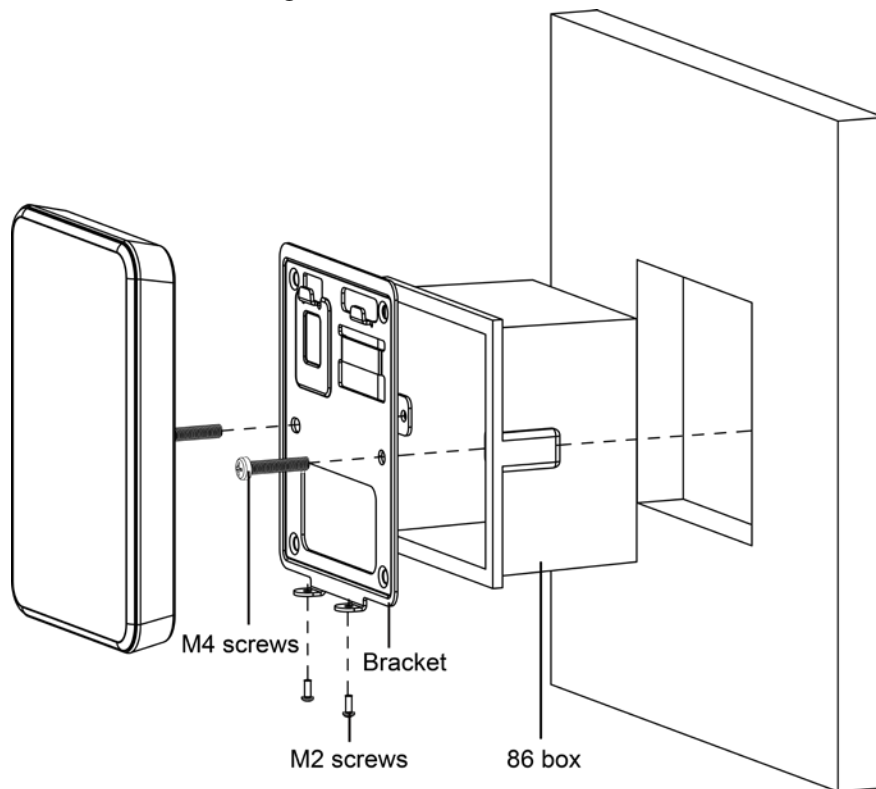
3 Installation

3.1 Installing the 86 Box Model

Box mount

1. Mount the 86 box to the wall.
2. Wire the card reader, and put the wires inside the 86 box.
3. Use two M4 screws to attach the bracket to the 86 box.
4. Attach the card reader to the bracket from top down.
5. Screw in 2 screws on the bottom of the card reader.

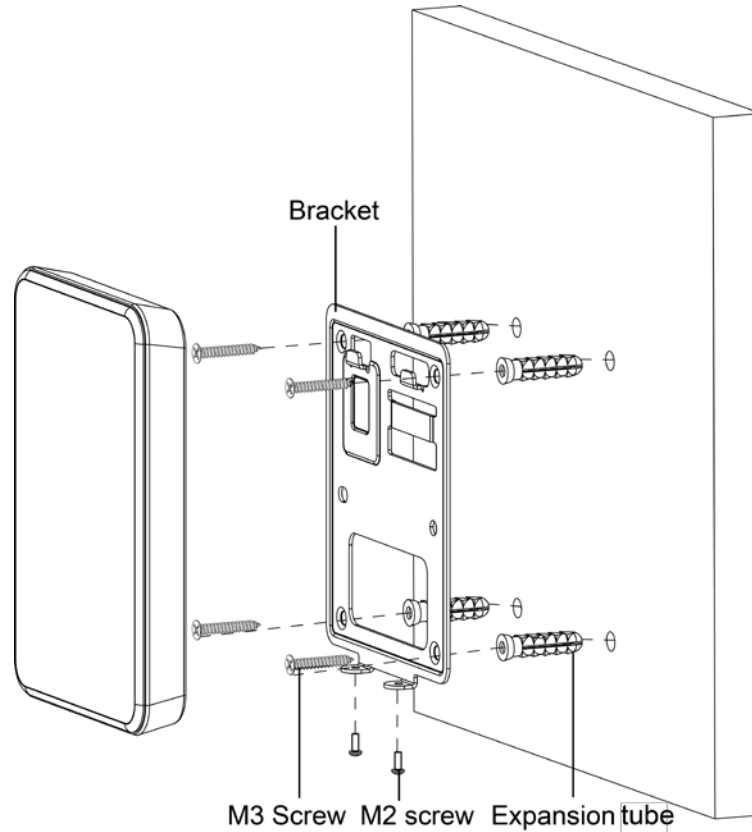
Figure 3-1 Wall mount



Wall mount

1. Drill holes on the wall.
2. Put 4 expansion bolts into the holes.
3. Wire the card reader through the slot of the bracket.
4. Use two M3 screws to mount the bracket on the wall.
5. Attach the card reader to the bracket from top down.
6. Screw in 2 screws on the bottom of the card reader.

Figure 3-2 Wall mount



3.2 Installing the Slim Model

Procedure

Step 1 Drill 4 holes and one cable outlet on the wall.



For surface-mounted wiring, cable outlet is not required.

Step 2 Put 3 expansion bolts into the holes.

Step 3 Wires of the Device, and pass the wires through the slot of the bracket.

Step 4 Use three M3 screws to mount the bracket on the wall.

Step 5 Attach the card reader to the bracket from top down.

Step 6 Screw in one M2 screw on the bottom of the card reader.

Figure 3-3 In-wall wiring

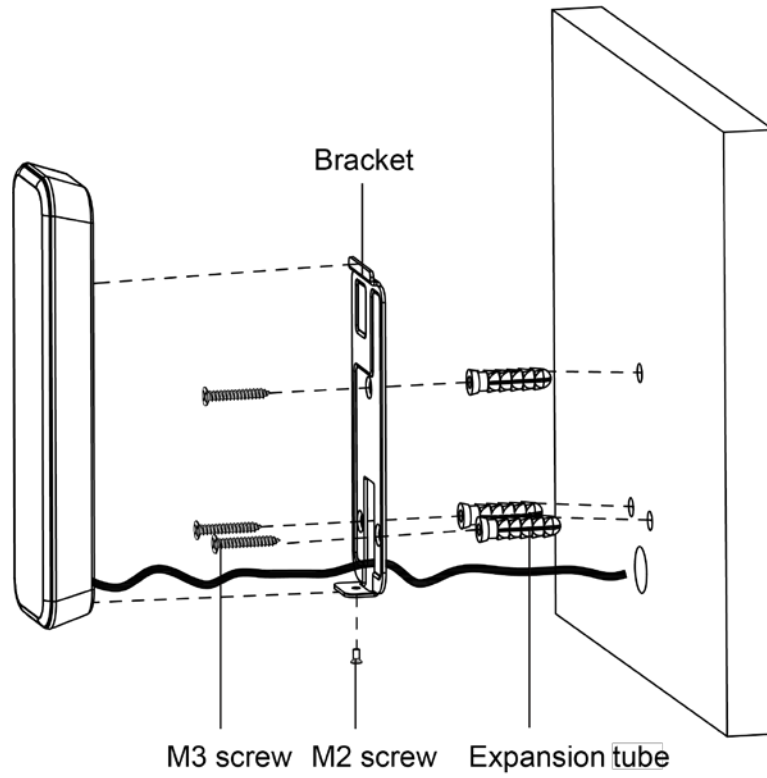
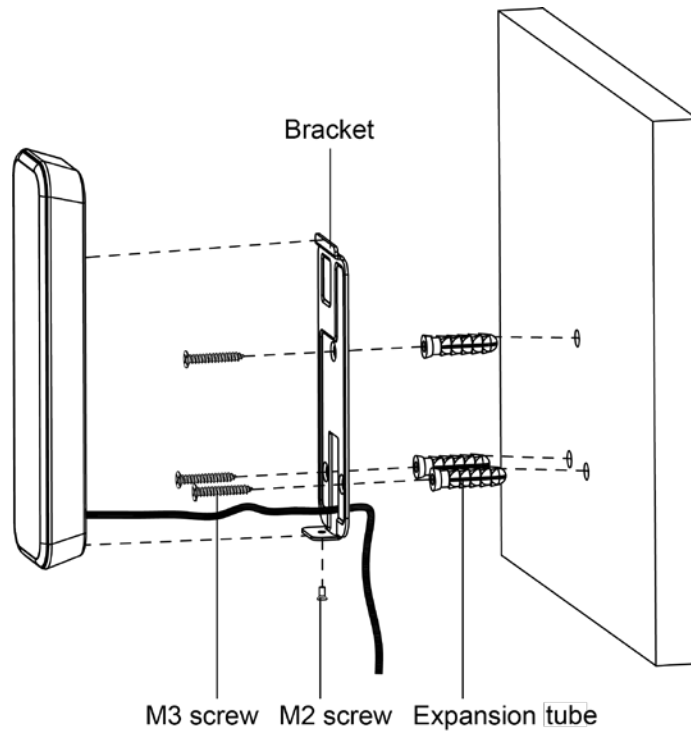


Figure 3-4 Surface mounted wiring



3.3 Installing the Fingerprint Model

Procedure

- Step 1 Drill 4 holes and one cable outlet on the wall.



For surface-mounted wiring, cable outlet is not required.

- Step 2 Put 3 expansion bolts into the holes.
- Step 3 Use three M3 screws to mount the bracket to the wall.
- Step 4 Wiring the Device.
- Step 5 Attach the device to the bracket from top down.

Figure 3-5 In-wall wiring

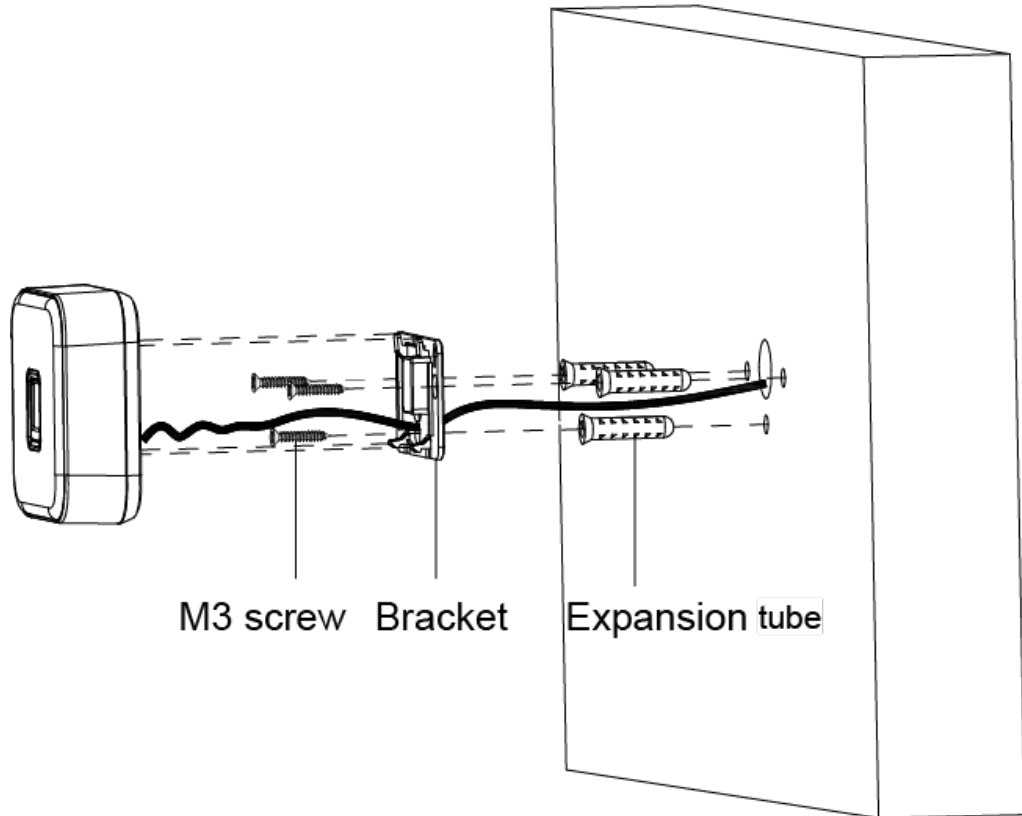
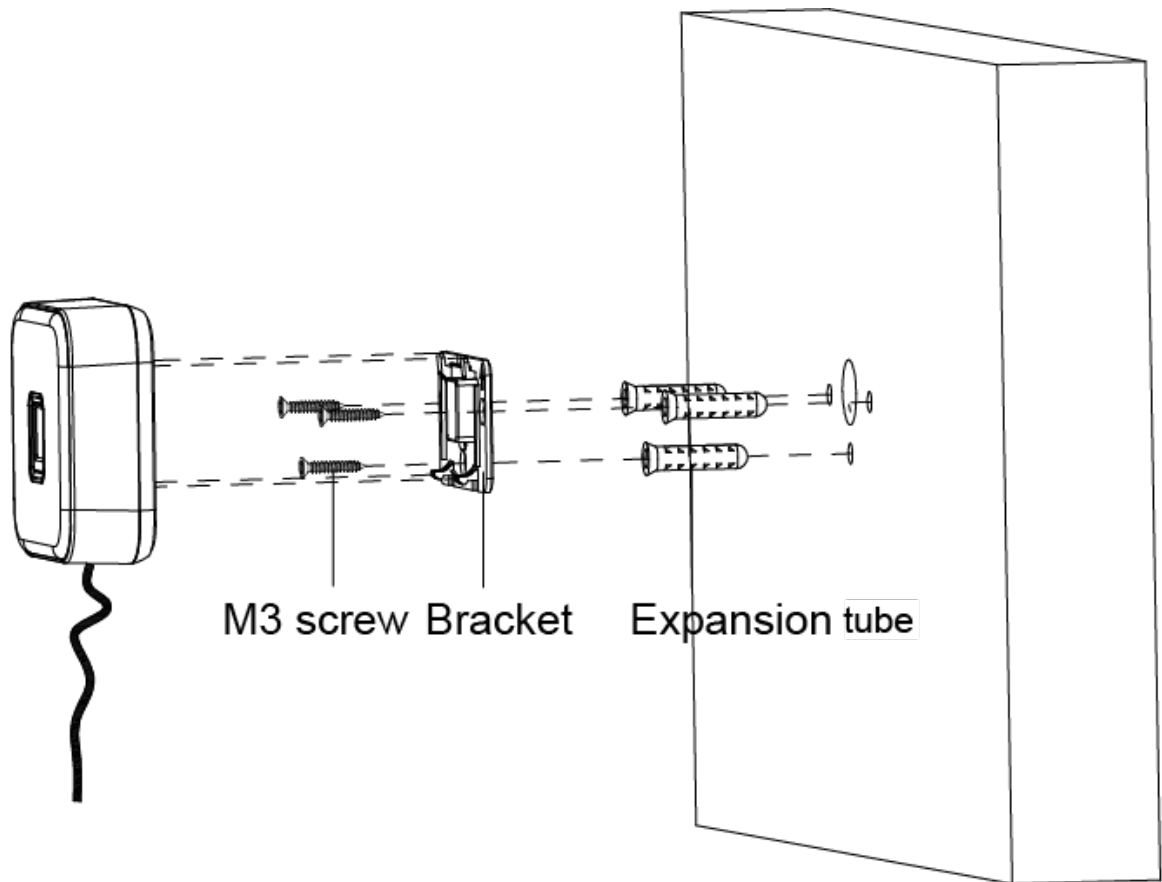
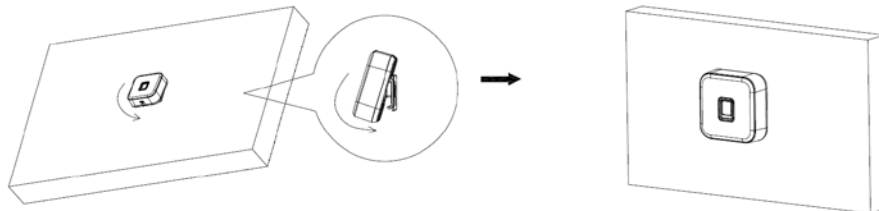


Figure 3-6 Surface-mounted wiring



Step 6 Press the Device toward until you hear a "click" sound, and the installation completes.

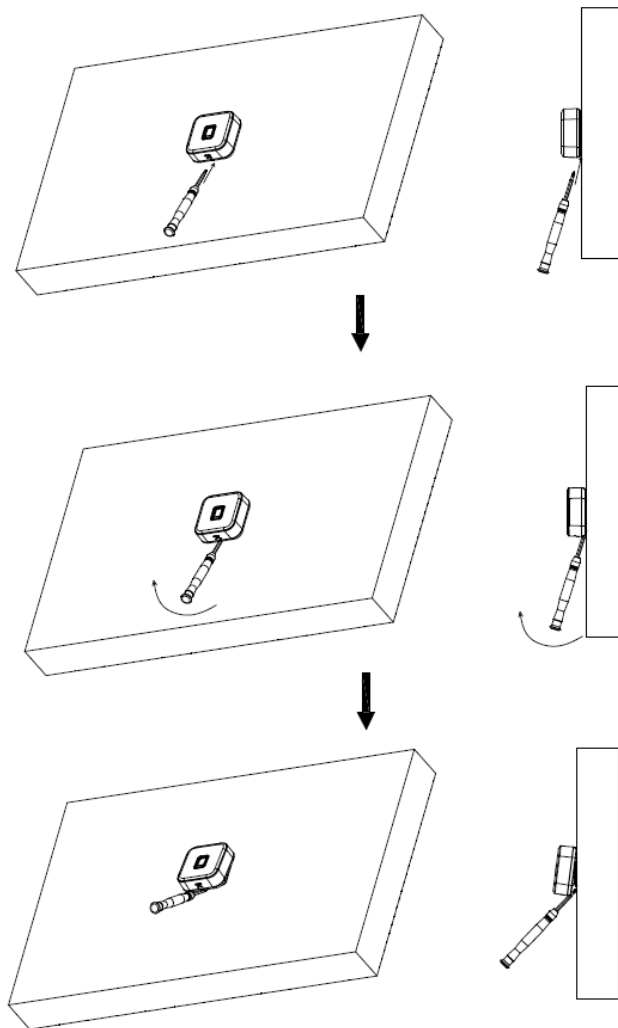
Figure 3-7 Secure the card reader



Related Operations

To remove the card reader from the wall, use the screwdriver pry the card reader open from the bottom until you hear a "click" sound.

Figure 3-8 Remove the card reader



4 Configuring Bluetooth Card Reader

The Bluetooth card reader is used together with the Easy4Key app to open the door remotely.

Prerequisites

- The latest version of the SmartPSS Lite is installed on the computer.
- Card swiping permissions have been successfully assigned to users. For details, see the user manual of the SmartPSS Lite.
- Easy4Key app is installed on the phone.

Procedure


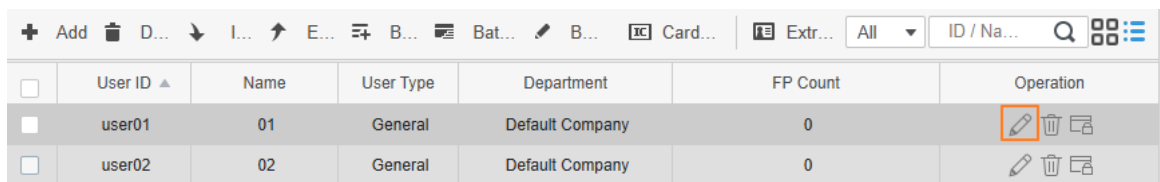




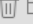
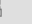
- Step 1** Log in to the SmartPSS Lite.
- Step 2** Select **Access Solution > Personnel Manager**.
- Step 3** Select the added user and click .

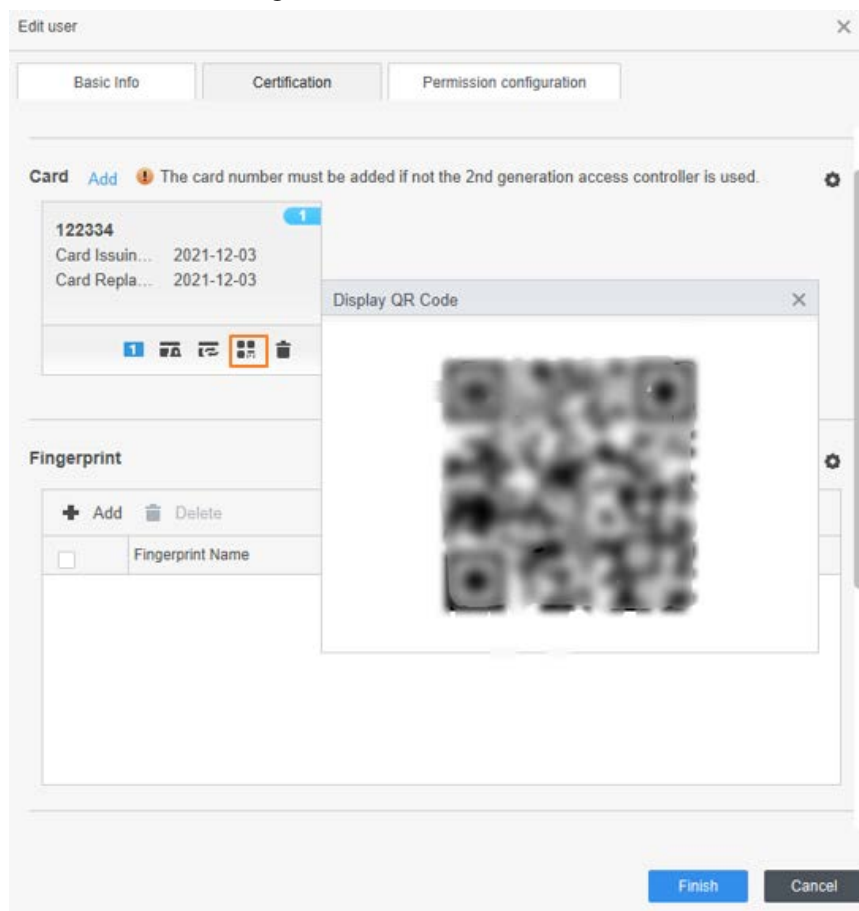
Figure 4-1 User



<input type="checkbox"/>	User ID ▲	Name	User Type	Department	FP Count	Operation
<input type="checkbox"/>	user01	01	General	Default Company	0	  
<input type="checkbox"/>	user02	02	General	Default Company	0	  

- Step 4** Click **Certification**, and then click .

Figure 4-2 Certification



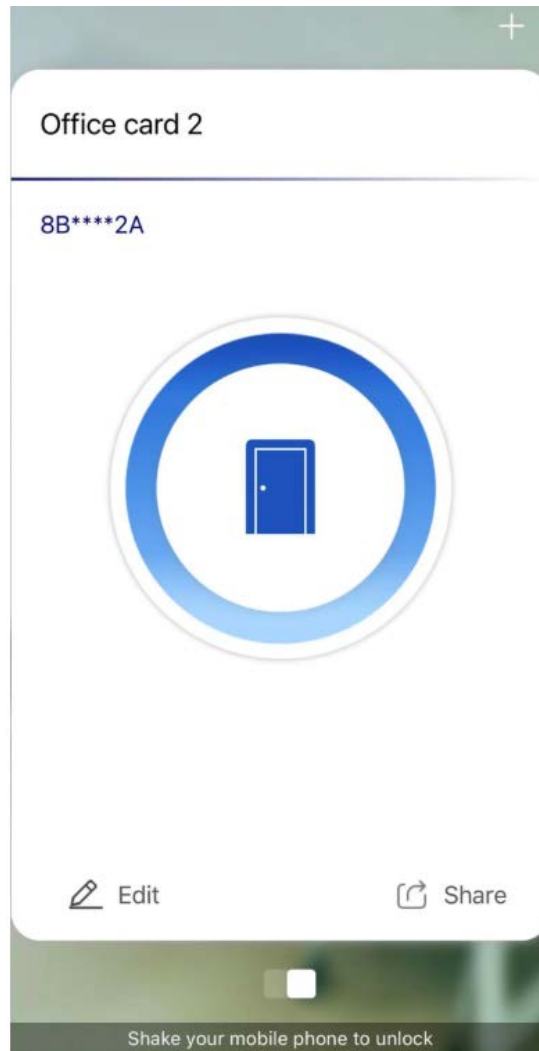
- Step 5** Open Easy4Key on the phone, and the tap **Add Access Control**.
- Step 6** Scan the QR code on the SmartPSS Lite to add the card.

After the card is successfully added, the user can open the door through Easy4Key on the phone.



The distance between the phone and the card reader must be less than 10 m.

Figure 4-3 Easy4Key



5 Sound and Light Prompt

5.1 86 Box and Slim Models

Table 5-1 Sound and light prompt description

Situation	Sound and Light Prompt
Power on.	Buzz once. The indicator is solid blue.
Removing the Device.	Long buzz for 15 seconds.
Pressing buttons.	Short buzz once.
Alarm triggered by the controller.	Long buzz for 15 seconds.
RS-485 communication and swiping an authorized card.	Buzz once. The indicator flashes green once, and then turns to solid blue as standby mode.
RS-485 communication and swiping an unauthorized card.	Buzz four times. The indicator flashes red once, and then turns to solid blue as standby mode.
Abnormal 485 communication and swiping an authorized/unauthorized card.	Buzz three times. The indicator flashes red once, and then turns to solid blue as standby mode.
Wiegand communication and swiping an authorized card.	Buzz once. The indicator flashes green once, and then turns to solid blue as standby mode.
Wiegand communication and swiping an unauthorized card.	Buzz three times. The indicator flashes red once, and then turns to solid blue as standby mode.
Software updating or waiting for update in BOOT.	The indicator flashes blue until update is completed.

5.2 Fingerprint Model

Table 5-2 Sound and light prompt description

Situation	Sound and Light Prompt
Device is powered on.	Buzz once. The indicator is solid blue.
Removing the Device.	Long buzz for 15 seconds.
Alarm linkage triggered by the controller.	
485 communication and swiping an authorized card.	Buzz once. The indicator flashes green once, and then turns to solid blue as standby mode.
485 communication and swiping an unauthorized card.	Buzz four times. The indicator flashes red once, and then turns to solid blue as standby mode.

Situation	Sound and Light Prompt
Abnormal 485 communication and swiping an authorized or unauthorized card/ fingerprint.	Buzz three times. The indicator flashes red once, and then turns to solid blue as standby mode.
485 communication and a fingerprint is recognized.	Buzz once.
485 communication and swiping an authorized fingerprint.	Buzz twice with 1 second interval. The indicator flashes green once, and then turns to solid blue as standby mode.
485 communication and swiping an unauthorized fingerprint.	Buzz once, and then four times. The indicator flashes red once, and then turns to solid blue as standby mode.
Fingerprint operations, including adding, deleting and synchronization.	The indicator flashes green.
Exiting fingerprint operations, including adding, deleting and synchronization.	The indicator is solid blue.
Software updating or waiting for update in BOOT.	The indicator flashes blue until update is complete.

6 Unlocking the Door

Swipe card on the card reader to open the door. For card reader with keypad, you can also unlock the door by entering the user ID and password.

- Unlock the door through public password: Enter the public password, and then tap #.
- Unlock the door through user password: Enter the user ID and tap #, and then enter the user password and tap #.
- Unlock the door through card + password: Swipe card, enter the password, and then tap #.

If the password is correct, the indicator is green and the buzzer sound once. If the password is incorrect, the indicator is red, and the buzzer sounds 4 times (RS-485 communication) or sounds 3 times (Wiegand communication or no signal line is connected).

7 Updating the System

7.1 Updating through SmartPSS Lite

Prerequisites

- The Card Reader was added to the access controller through RS-485 wires.
- The access controller and Card Reader are powered on.

Procedure

Step 1 Install and log in to SmartPSS Lite, and then select **Device Manager**.






Step 2 Click .

Figure 7-1 Select the access controller

No.	Name	IP	Device Type	Device Model	Port	Channel Number	Online Status	SN	Operation
1	Device01	172.16.1.55	Access Controller	ASC2208C-S	37777	0/0/0/0	Online	6H029E1YAJ5FD7D	   

Step 3 Click  and  to select the update file.

Step 4 Click **Upgrade**.

The indicator of the Card Reader flashes blue until the update is completed, and then the Card Reader automatically restarts.



7.2 Updating through Config Tool

Prerequisites

- The Card Reader was added to the access controller through RS-485 wires.
- The access controller and Card Reader are powered on.

Procedure

Step 1 Install and open the Configtool, and then select **Device upgrade**.

Step 2 Click  of an access controller, and then click .

Step 3 Click **Upgrade**.

The indicator of the Card Reader flashes blue until update is completed, and then the Card Reader automatically restarts.

Appendix 1 Cybersecurity Recommendations

Mandatory actions to be taken for basic equipment network security:

1. Use Strong Passwords

Please refer to the following suggestions to set passwords:

- The length should not be less than 8 characters.
- Include at least two types of characters; character types include upper and lower case letters, numbers and symbols.
- Do not contain the account name or the account name in reverse order.
- Do not use continuous characters, such as 123, abc, etc.
- Do not use overlapped characters, such as 111, aaa, etc.

2. Update Firmware and Client Software in Time

- According to the standard procedure in Tech-industry, we recommend to keep your equipment (such as NVR, DVR, IP camera, etc.) firmware up-to-date to ensure the system is equipped with the latest security patches and fixes. When the equipment is connected to the public network, it is recommended to enable the "auto-check for updates" function to obtain timely information of firmware updates released by the manufacturer.
- We suggest that you download and use the latest version of client software.

"Nice to have" recommendations to improve your equipment network security:

1. Physical Protection

We suggest that you perform physical protection to equipment, especially storage devices. For example, place the equipment in a special computer room and cabinet, and implement well-done access control permission and key management to prevent unauthorized personnel from carrying out physical contacts such as damaging hardware, unauthorized connection of removable equipment (such as USB flash disk, serial port), etc.

2. Change Passwords Regularly

We suggest that you change passwords regularly to reduce the risk of being guessed or cracked.

3. Set and Update Passwords Reset Information Timely

The device supports password reset function. Please set up related information for password reset in time, including the end user's mailbox and password protection questions. If the information changes, please modify it in time. When setting password protection questions, it is suggested not to use those that can be easily guessed.

4. Enable Account Lock

The account lock feature is enabled by default, and we recommend you to keep it on to guarantee the account security. If an attacker attempts to log in with the wrong password several times, the corresponding account and the source IP address will be locked.

5. Change Default HTTP and Other Service Ports

We suggest you to change default HTTP and other service ports into any set of numbers between 1024–65535, reducing the risk of outsiders being able to guess which ports you are using.

6. Enable HTTPS

We suggest you to enable HTTPS, so that you visit Web service through a secure communication channel.

7. MAC Address Binding

We recommend you to bind the IP and MAC address of the gateway to the equipment, thus reducing the risk of ARP spoofing.

8. Assign Accounts and Privileges Reasonably

According to business and management requirements, reasonably add users and assign a

minimum set of permissions to them.

9. **Disable Unnecessary Services and Choose Secure Modes**

If not needed, it is recommended to turn off some services such as SNMP, SMTP, UPnP, etc., to reduce risks.

If necessary, it is highly recommended that you use safe modes, including but not limited to the following services:

- SNMP: Choose SNMP v3, and set up strong encryption passwords and authentication passwords.
- SMTP: Choose TLS to access mailbox server.
- FTP: Choose SFTP, and set up strong passwords.
- AP hotspot: Choose WPA2-PSK encryption mode, and set up strong passwords.

10. **Audio and Video Encrypted Transmission**

If your audio and video data contents are very important or sensitive, we recommend that you use encrypted transmission function, to reduce the risk of audio and video data being stolen during transmission.

Reminder: encrypted transmission will cause some loss in transmission efficiency.

11. **Secure Auditing**

- Check online users: we suggest that you check online users regularly to see if the device is logged in without authorization.
- Check equipment log: By viewing the logs, you can know the IP addresses that were used to log in to your devices and their key operations.

12. **Network Log**

Due to the limited storage capacity of the equipment, the stored log is limited. If you need to save the log for a long time, it is recommended that you enable the network log function to ensure that the critical logs are synchronized to the network log server for tracing.

13. **Construct a Safe Network Environment**

In order to better ensure the safety of equipment and reduce potential cyber risks, we recommend:

- Disable the port mapping function of the router to avoid direct access to the intranet devices from external network.
- The network should be partitioned and isolated according to the actual network needs. If there are no communication requirements between two sub networks, it is suggested to use VLAN, network GAP and other technologies to partition the network, so as to achieve the network isolation effect.
- Establish the 802.1x access authentication system to reduce the risk of unauthorized access to private networks.
- Enable IP/MAC address filtering function to limit the range of hosts allowed to access the device.