

DHI-ASR2100A-ME

Access Reader



- PC material, acrylic panel and IP66, suitable for indoor and outdoor use
- Support contactless recognition of IC card (Mifare card) and ID card in two frequencies
- Support card unlock
- Support RS485 and Wiegand communication
- Support buzzer and indicator prompt
- Support anti-tampering alarm
- The built-in watchdog program can detect and control abnormal operation status of the equipment and perform recovery processing to ensure the long-term operation of the equipment
- All connection ports have overcurrent and overvoltage protection

Series Overview

As a key part of the access control system, the DHI-ASR2100A-ME access control card reader supports card unlock and sends the information to the access controller for verification. With a thin and elegant design, it is applicable to industrial zones, office buildings, schools, factories, stadiums, CBD, residential area, government properties, etc.

Technical Specification

Basic

Product Type	Card reader
Buzzer	Yes
Casing	PC/acrylic panel

Function

Unlock Mode	Card swiping
Card Type	IC/ID card

Performance

Response Time	0.1 s
Card Reading Distance	0 cm–5 cm (0"–1.97")

Port

RS-485	1 channel
Wiegand	1 output channel

Alarm

Tamper Alarm	Yes
--------------	-----

General

Power Supply	12V 0.5A DC
--------------	-------------

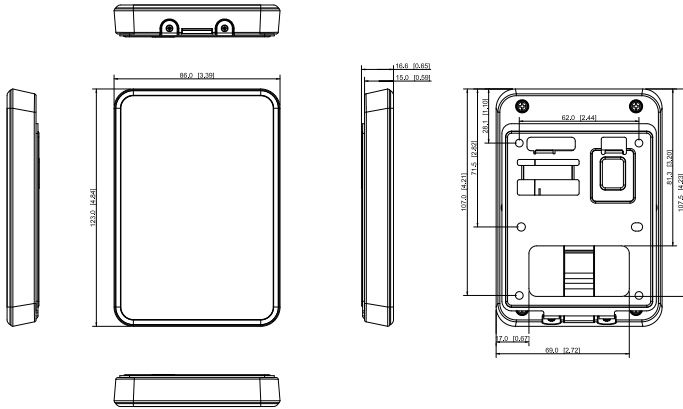


Protection	IP66 (silicon sealant is needed, see the manual)
Power Consumption	Standby ≤ 0.9W, working ≤ 1.7W
Product Dimensions	123 mm × 86 mm × 15 mm (4.84" × 3.38" × 0.59") (L × W × H)
Packaging Dimensions	185 mm × 163 mm × 71 mm (7.28" × 6.41" × 2.80") (L × W × H, 1 in inner carton) 578 mm × 383 mm × 349 mm (22.76" × 15.08" × 13.74") (L × W × H, carton)
Operating Temperature	–30°C to +70°C (–22°F to +158°F)
Operating Humidity	5%RH–95% (non-condensing)
Operating Environment	Indoor; outdoor
Gross Weight	0.35 kg (0.77 lb)
Installation	Surface mount
Certifications	CE; FCC

Ordering Information

Type	Model	Description
Access Reader	DHI-ASR2100A-ME	DHI-ASR2100A-ME Outdoor Waterproof Dual-frequency Card Reader

Dimensions (mm[inch])



Application

