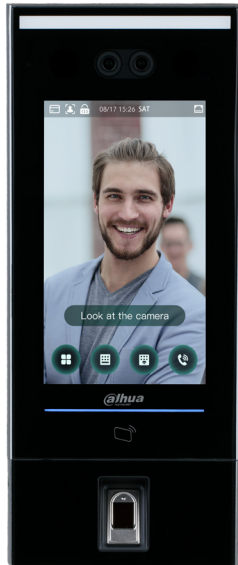


DHI-ASI7214X

Face Recognition Access Controller



- 2.5D curved screen
- 7 Inch LCD display with resolution of 1024×600
- 2 MP CMOS, WDR
- Vehicle level LCD whose working temperature is -30°C to 50°C
- IP65 (Silicone sealant is needed. For details, see the quick start guide.)
- Auto fill light reduces light pollution
- Can hold 100,000 users, 100,000 face images, 10,000 fingerprints, 100,000 cards, 100,000 password, 50 administrators, and 300,000 records
- Support face, fingerprint, IC card, password unlock and unlock through their combinations
- With face detection box; the largest face among faces that appear at the same time is recognized first; the maximum face size can be configured on the web
- Face-camera distance: 0.3 m–2.0 m; human height: 0.9 m–2.4 m (lens-ground distance: 1.4 m)
- With face recognition algorithm, the access controller can recognize more than 360 positions on human face
- Support liveness detection
- Face recognition speed: 0.2 s per face
- Accurate recognition in backlight and front light
- Various unlock status display modes protect user privacy
- Support duress alarm, tamper alarm, intrusion alarm, door contact timeout alarm, and illegal card exceeding threshold alarm
- Support general users, patrol users, VIP users, guest users, and special users
- Support Video Door Phone

Technical Specification

System

| | |
|-------------------|-------------------------------------|
| Main Processor | Embedded Processor |
| Internet Protocol | IPv4, RTSP, RTP, TCP, UDP, P2P, SIP |
| OSDP Protocol | Yes |
| Interoperability | ONVIF; CGI |
| SDK and API | Support SDK |

Basic

| | |
|-------------|---|
| Display | 7 inch display |
| Screen Type | Capacitive screen |
| Resolution | 600(H)×1024(V) |
| Camera | 1/2.8" 2MP CMOS high definition WDR dual camera |
| WDR | 120dB |

| | |
|--------------------|---|
| Light Compensation | Auto white light Auto IR light |
| Status Indicator | 1 indicator light. Red: Error; Green: Normal; Blue: Working |
| Voice Prompt | Yes |
| Housing Material | Aluminium alloy/tempered glass/PC |

Function

| | |
|-------------------|--|
| Unlock Mode | Card/Remote/Fingerprint/Password/Face unlock and unlock through their combinations |
| Card Reading Type | IC card |
| Period List | 128 |
| Holiday Period | 128 |
| First-Card Unlock | Yes |

| | |
|-------------------------|---------------------|
| Remote Verification | Yes |
| Peripheral Card Reader | 1 RS-485, 1 Wiegand |
| Multiple Authentication | Yes |
| Real-Time Surveillance | Yes |
| Web Configuration | Yes |

Performance

| | |
|-------------------------------|---|
| Card Reading Distance | 1cm–3cm |
| Face Recognition Range | Face-camera distance: 0.3 m–2.0 m Human height: 0.9m–2.4 m |
| Face Verification Accuracy | ≥99.5% |
| Face Recognition Time | 0.2s |
| Fingerprint Sensor Type | Capacitive |
| Fingerprint Verification Mode | 1: N |
| Fingerprint Comparison Time | ≤1.5s |

Capacity

| | |
|----------------------|-----------------|
| User Capacity | 100,000 |
| Face Image Capacity | 100,000 |
| Fingerprint Capacity | 10,000 |
| Card Capacity | 100,000 |
| Password Capacity | 100,000 |
| Record Capacity | 300,000 records |

Port

| | |
|-----------------------|---------------------|
| RS-485 | 1 |
| RS-232 | 1 |
| Wiegand | 1 (input or output) |
| USB | 2 USB2.0 port |
| Ethernet | 2 Ethernet Port |
| Alarm Input | 2 (Switch quantity) |
| Alarm Output | 2 (Relay) |
| Alarm Linkage | Yes |
| Exit Button | 1 |
| Door Status Detection | 1 |
| Lock Control | 1 |

Alarm

| | |
|---------------------|-----|
| Anti-Passback | Yes |
| Tamper | Yes |
| Duress | Yes |
| Door Sensor Timeout | Yes |
| Intrusion | Yes |

| | |
|----------------------------------|-----|
| Illegal Card Exceeding Threshold | Yes |
| Duress Fingerprint | Yes |

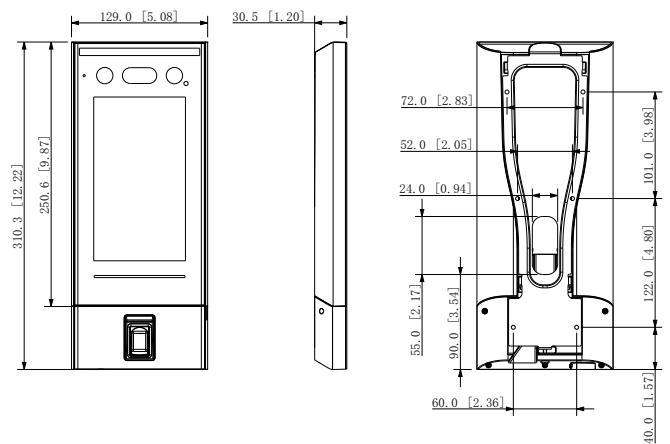
General

| | |
|----------------------|---|
| Power Supply | Provided |
| Power Supply Mode | DC 12V 2A |
| Protection Grade | IP65 (Silicone sealant is needed. For details, see the quick start guide.) |
| Power Consumption | 24W |
| Product Dimensions | 250.6mm×129.0mm×30.5mm(9.87"×5.08"×1.20") |
| Packaging Dimensions | Controller packing: 380mm×235mm×124mm (14.96"×9.25"×4.88") Protective case: 494mm×402mm×275mm (19.45"×15.83"×10.83") |
| Working Temperature | -30°C to +50°C (-22°F to +122°F) |
| Working Humidity | 0%RH–90%RH (non-condensing) |
| Working Environment | Indoor and outdoor |
| Gross Weight | 2.0kg (4.41 lb) |
| Installation Method | Wall mounted |
| Certification | CE/FCC |

Ordering Information

| Type | Model | Description |
|--|--------------|--|
| Face Recognition Access Controller (IC card; fingerprint; outdoor) | DHI-ASI7214X | 7-inch Face and Fingerprint Recognition Access Controller (IC card; outdoor) |

Dimensions (mm[inch])



Application

