

DH-PFM800B-4K

1-CH Passive Video Balun



Features

- Real-time transmission over UTP CAT5E/6 cable;
- Passive, no need for power supply;
- Excellent anti-thunder, anti-static and anti-interference capabilities;
- Compatible format: HDCVI/TVI/AHD/CVBS;
- With female BNC connector, and pluggable screw terminal connections.

Technical Specification

Model DH-PFM800B-4K

Properties

Transmission Signal	1-CH			
Network cable Type	UTP CAT5E/6 (material: CU)			
Transmission Properties	HDCVI	720P : max.400m (1312.34ft)	1080P : max.250m (820.21ft)	4M/6M/4K : max.200m (656.17ft)
	TVI	720P : max.400m (1312.34ft)	1080P : max.250m (820.21ft)	4M/5M : max.200m (656.17ft)
	AHD	720P : max.400m (1312.34ft)	1080P : max.250m (820.21ft)	4M/5M : max.200m (656.17ft)

Video Transmission Properties

Coaxial Video Connector	BNC-M
Connection Way	RJ45
Compatible Format	HDCVI/TVI/AHD/CVBS
Resolution	720P/1080P/4MP/5MP/4K

Protection

ESD	1a contact discharge electricity level 3
	1b air discharge electricity level 3
	Per: IEC61000-4-2
UTP Cable Connector	2KV(different-mode), 4KV(common-mode)
	Per: IEC61000-4-5

Impedance

BNC Male Impedance	75 ohms
UTP Cable Impedance	100 ohms

Physical Properties

Weight	34g (0.07lb) (1 pair)
Dimension(LxWxH)	TX: 173.8mmx19.5mmx21mm (6.84"x0.77"x0.83") RX: 49.1mmx19.5mmx21mm (1.93"x0.77"x0.83")
Shell	ABS
Color	Black

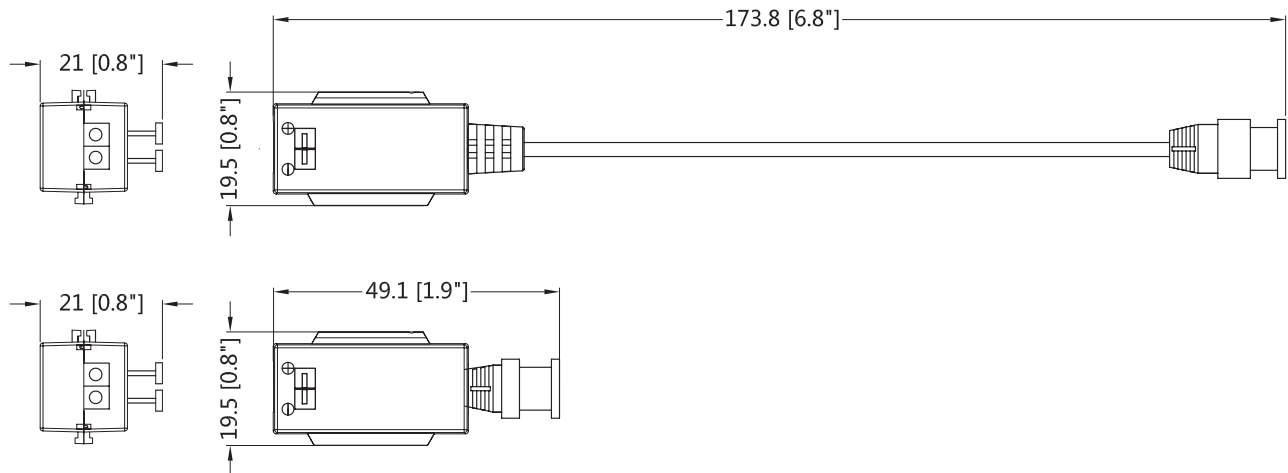
Environmental

Operating Temperature	-30 °C ~+70 °C (-22 °F ~+158 °F)
Operating Humidity	<95% RH
Storage Temperature	-40 °C ~+80 °C (-40 °F ~+176 °F)

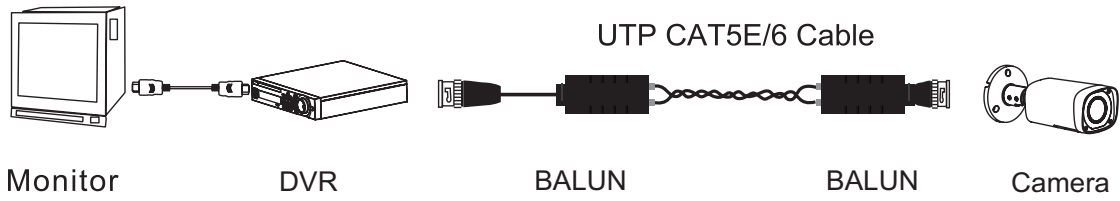
Ordering Information

Type	Part Number	Description
HDCVI Accessories	PFM800-E	1-CH passive HDCVI balun
	PFM800-4MP	1-CH passive HDCVI balun
	DH-PFM800-4K	1-CH passive video balun
	PFM800-4K	1-CH passive video balun
	DH-PFM800B-4K	1-CH passive video balun
	PFM800B-4K	1-CH passive video balun
	PFM809-4MP	16-CH passive HDCVI Balun
Related Accessories	PFM920I-5EUN	305m UTP CAT5E cable
	PFM920I-5EU-C/U	305m UTP CAT5E cable
	PFM920I-6UN-C/U	305m UTP CAT6 cable
	PFM920I-6U-C/U	305m UTP CAT6 cable

Dimension(mm/inch)



Application



Package Information

- 1-CH passive video balun DH-PFM800B-4K *1