



# TVP-WM-CM

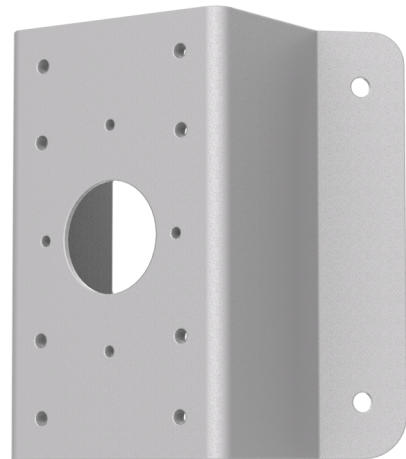
## TruVision PTZ dome corner mount adapter

### Overview

---

The TVP-WM-CM allows for a more efficient installation for corner mount PTZ installations. Such a corner mount installation allows a single PTZ camera to cover a wider field of view compared to a standard wall mount bracket.

The TVP-WM-CM can be combined with the TVP-WMB or GEA-102 TruVision PTZ brackets.



### Details

---

- TruVision PTZ corner mount adapter
- Compatible with TVP-WMB and GEA-102
- Fits 90° corners

# TVP-WM-CM

## TruVision PTZ dome corner mount adapter

### Technical specifications

---

#### General

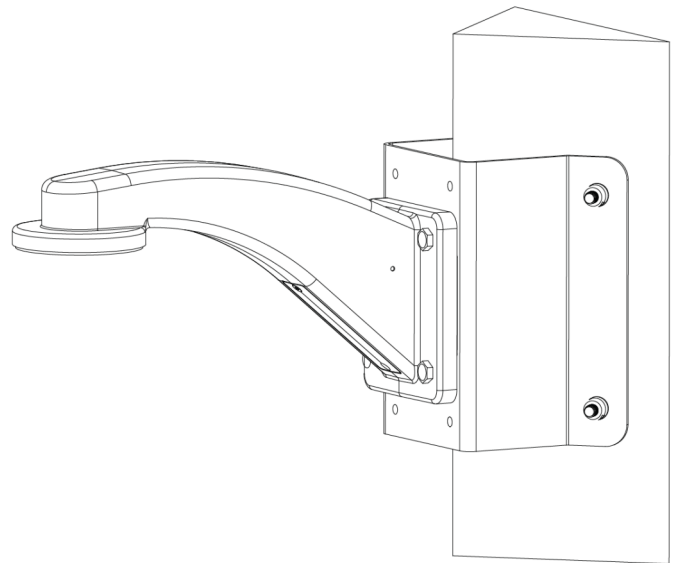
Bracket type	Camera
Support type	PTZ camera, TruVision bracket
Bracket mounting part	Mounting adapter
Mount type	Corner mount
Cable management	No

#### Physical

Physical dimensions	194 × 176 × 109 mm 7.63 × 6.93 × 4.29 in.
Net weight	1548 g 3.41 lbs.

#### Supported brackets

Wall mount brackets	TVP-WMB, GEA-102
---------------------	------------------



Carrier Fire & Security er et innovativt selskab og forbeholder sig ret til at ændre produktspecifikationer uden varsel. De nyeste produktspecifikationer kan du finde på [dk.firesecurityproducts.com](http://dk.firesecurityproducts.com) eller ved at kontakte din salgsrepræsentant hos.

Last updated on 28 October 2022 - 14:14