

DHI-VTH5421HB/DHI-VTH5421HW

IP Indoor Monitor



- 7" TFT capacitive touch screen
- 6-channel alarm input and 1-channel alarm output
- Supports standard PoE
- 2.5D screen glass



Introduction

Equipped with high-performance processor, the digital indoor monitor adopts 7" capacitive touch screen, 2.5D screen glass, and full-screen bezel-less design. It supports standard PoE, and has 6-channel alarm input and 1-channel alarm output.

Scene

The product is applicable to residential communities, apartments, villas, buildings, and other scenarios.

Technical Specification

System

| | |
|------------------|---------------------------------|
| Main Processor | Embedded processor |
| Operating System | Embedded Linux operating system |
| Interoperability | ONVIF |
| Network Protocol | SIP; IPv4; RTSP; RTP; TCP; UDP |

Basic

| | |
|-------------------|------------------------------|
| Screen Type | Capacitive touch screen |
| Display | 7" TFT |
| Screen Resolution | 1024 × 600 |
| Audio Compression | G.711a; G.711Mu; G.711u; PCM |
| Audio Input | 1 |

| | |
|-------------------|------------------|
| Audio Output | Built-in speaker |
| Audio Mode | Two-way audio |
| Audio Enhancement | Echo suppression |
| Audio Bit Rate | 16 KHz, 16Bit |

Function

| | |
|---------------------|---|
| Communication Mode | Full digital |
| Information Release | Receive and view text information released by the management center (After SD card is installed, picture information can be received and viewed.) |
| Leave Videos | Yes (insert an SD card into the indoor monitor) |
| DND Mode | DND period and DND mode can be set. |
| Number of Extension | Villa: 10; apartment: 6 |
| Storage | Micro SD card (up to 64 GB) |

Performance

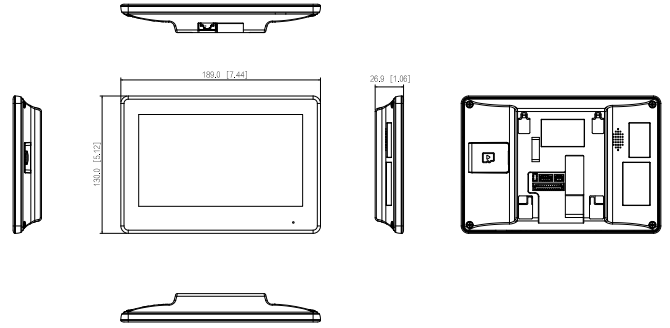
| | |
|--------|----------|
| Casing | PC + ABS |
|--------|----------|

Port

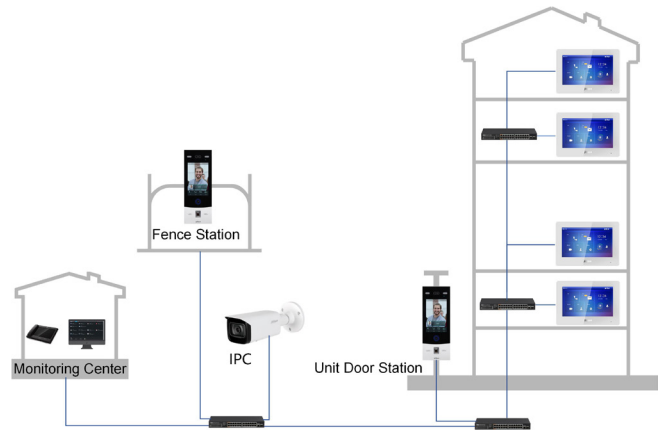
| | |
|--------------|--------------------------------|
| RS-485 | 1 |
| Alarm Input | 6 |
| Alarm Output | 1 |
| Power Output | 1 (12V/100mA) |
| Door Bell | Yes (use any alarm input port) |

| | |
|-----------------------|--|
| Network | One 10 Mbps/100 Mbps Ethernet |
| General | |
| Color | Black or white |
| Power Supply | 12V DC 1A Standard PoE |
| Power Adapter | Not included |
| Installation | Surface mount |
| Certifications | CE; FCC; UL |
| Accessory | Bracket and alarm ribbon cable (included) |
| Dimensions | 189.0 mm × 130.0 mm × 26.9 mm (7.44" × 5.12" × 1.06") |
| Operating Temperature | -10°C to +55°C (+14°F to 131°F) |
| Operating Humidity | 20% to 93% (non-condensing) |
| Operating Altitude | Beneath 3000 m (9842.52 ft) |
| Power Consumption | Standby ≤ 2W; working ≤ 6W |
| Net Weight | 384 g (0.85 lb) |
| Gross Weight | 737 g (1.62 lb) |

Dimensions (mm[inch])



Application



Ordering Information

| Type | Model | Description |
|------------------------|---------------------------------|------------------------|
| Digital Indoor Monitor | DHI-VTH5421HB/ DHI-VTH5421HW | Digital Indoor Monitor |

Installation

