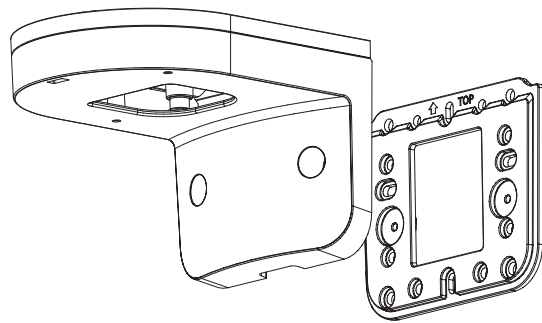


# Wall Mount

SBP-125WMW



## What's included



WALL MOUNT, PLATE



SCREW-SPECIAL



ANCHOR



SCREW-MACHINE

## Product Features

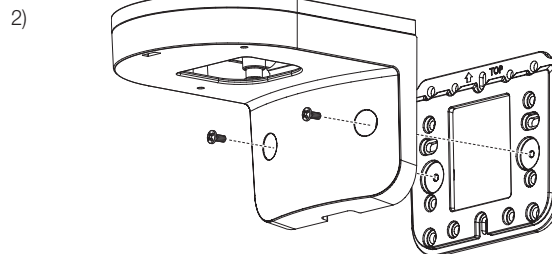
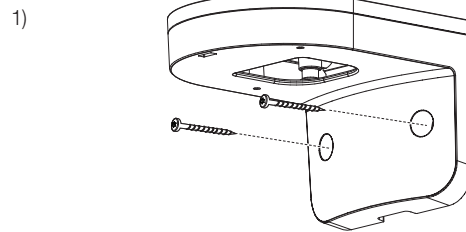
This product is a Wall Mount used for installing cameras on a wall or vertical structure.

## Installation Precautions

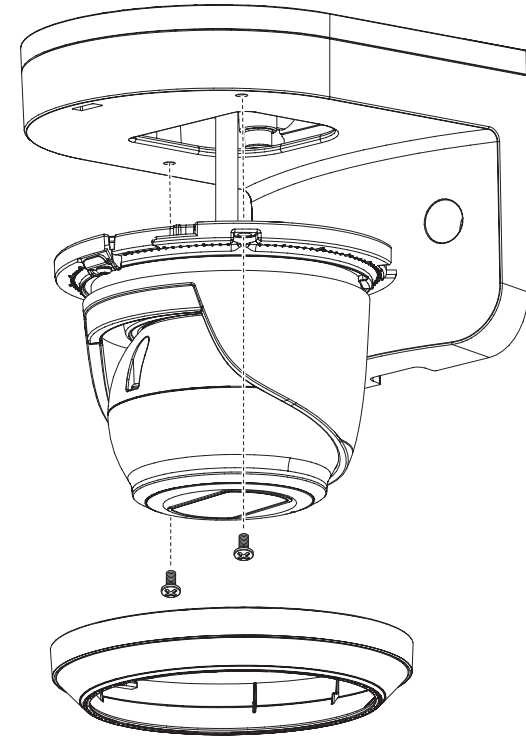
Make sure that the installation location can hold four times the total weight of this product and the camera to be installed. When you install the product, using the installation screws contained in the product package is highly recommended. If you want to install it on a concrete wall, you need to use the plastic anchor and the installation screws contained in the package.

## Installation

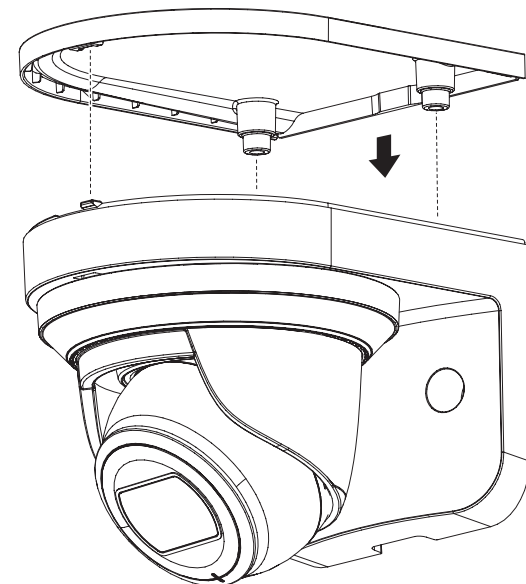
- 1 For installation, use the plastic anchor and the installation screws contained in the product package.
  - 1) To mount it on the wall, use plastic anchors and tapping screws.
  - 2) To install in a gang box, use the machine screws.



- 2 Use the screws contained in the product package to install your camera.



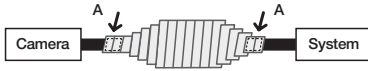
- 3 Close the MOUNT WALL COVER contained in the product package.



## Outdoor installation

When you install it outside of the building, please waterproof it with waterproof butyl rubber tape (can be purchased in stores) so that water does not leak from the gap of the cable connected to the outside.

- 1 Connect the PoE cable.
- 2 Wrap the black cable jacket (Area A) and the cable connection area with waterproof (butyl rubber) tape so that more than half of the butyl rubber tape is overlapped.

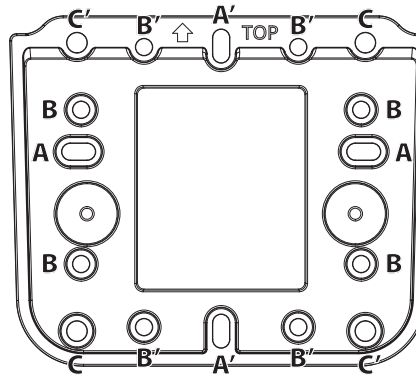
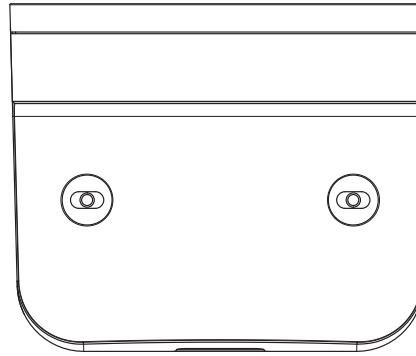


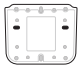
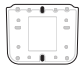
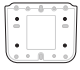
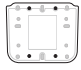
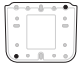
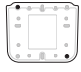
- ! If the cable jacket is not waterproofed properly, then it can directly cause leakage. Make sure to protect the cable with a dense layer of taping.
- Waterproof butyl tape is made of butyl rubber that can be stretched to twice its normal length.

## Specification

<b>Product Name</b>	SBP-125WMW
<b>Supported product</b>	QNE-8011R/8021R * models can be added without notice
<b>Color / Material</b>	White / Aluminum, Plastic
<b>RAL Code</b>	RAL9003
<b>Product dimensions / weight</b>	126.46 x 160.03 x 104.49 mm (4.98 x 6.30 x 4.11"), 425 g (0.94 lb)

## Product Overview



Point		Compatible Gang box
		SINGLE GANG
		DOUBLE GANG
		SQUARE GANG

