

# WISENET

## MOUNT-BRACKET

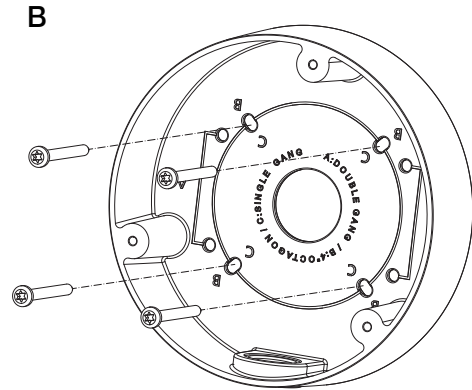
SBF-100B1

### Product Overview

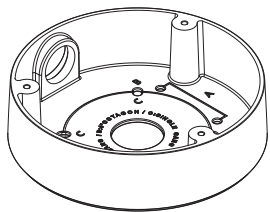
This product is an adaptor used to install Fish-Eye camera (the same model as SNF-8010 / 8010RVM / PNF-9010RVM / 9010RV / 9010R) in the electric gang box or on the wall.

### Installation Precautions

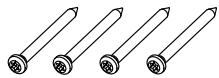
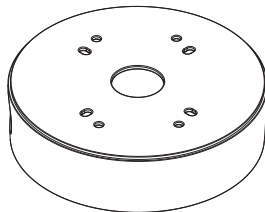
Please make sure to install on an area which is strong enough to support more than 4 times of the total weight of this product and the camera. Depending on some installation conditions, this product can be connected to 0.75" PF which is a screw peak processed pipe.



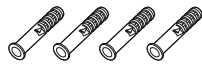
### Package



MOUNT-BRACKET



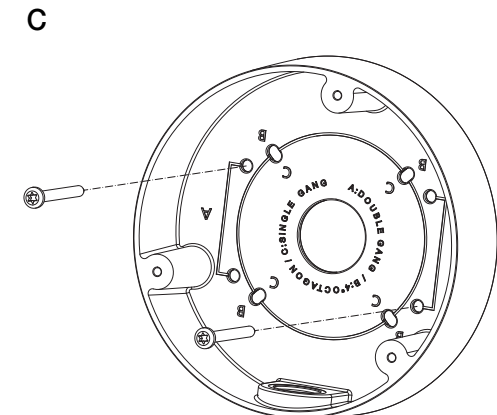
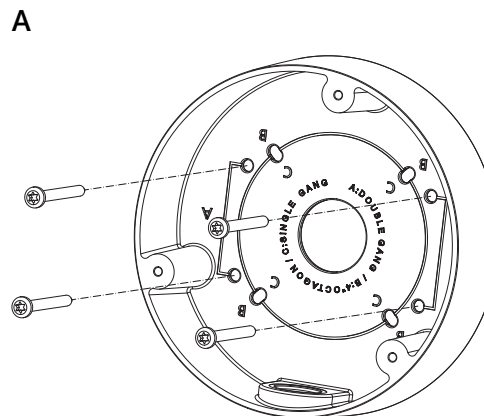
SCREW-SPECIAL



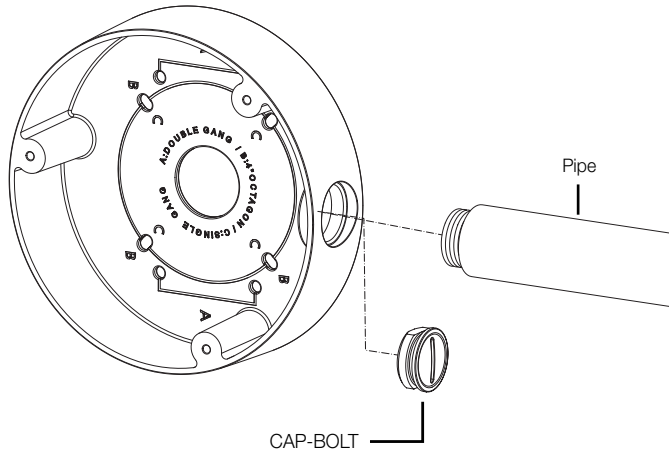
ANCHOR

### Installation

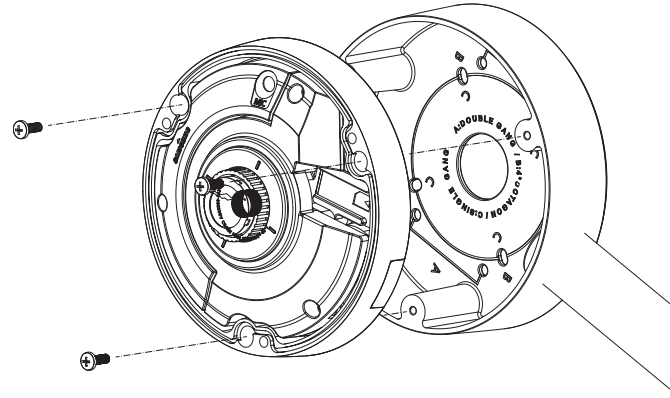
- 1 Install the mount bracket on a desired position.



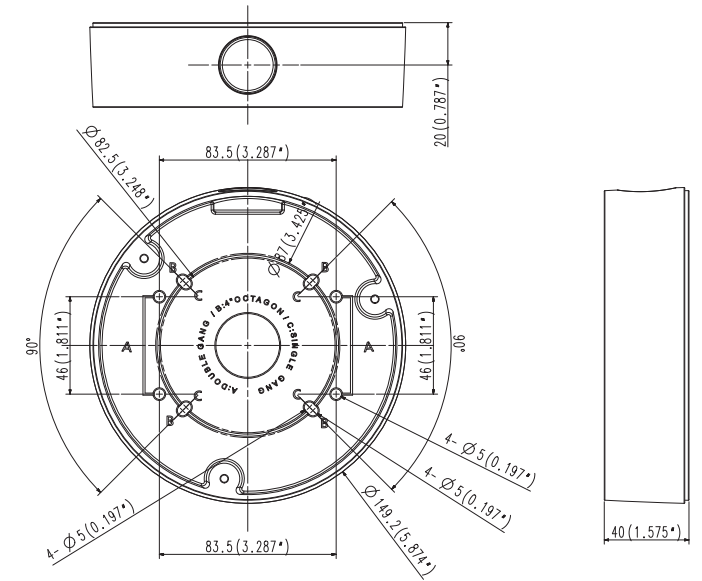
**2** Remove the cap-bolt in the selected direction before inserting the pipe.



**3** Attach the case-bottom to the mount bracket.



## Product Outline



## Product Specifications

Weight	345g
Material	Aluminum
Operating Temperature	-50°C~60°C
Operating Humidity	0~100%