

Hanging Adaptor

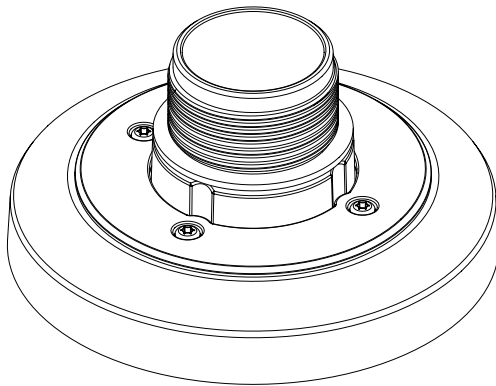
SBP-120HMW
SBP-140HMW
SBP-160HMW1
SBP-180HMW1



Installation Precautions

- Make sure that the installation place can endure at least 4 times of the total weight of the Hanging Adaptor, Camera, and Wall/Ceiling/Parapet Mount.
- The Hanging Adaptor can be also connected to 1 1/2" PF screw-thread pipe as well as to the Wall/Ceiling/Parapet Mount.

Package

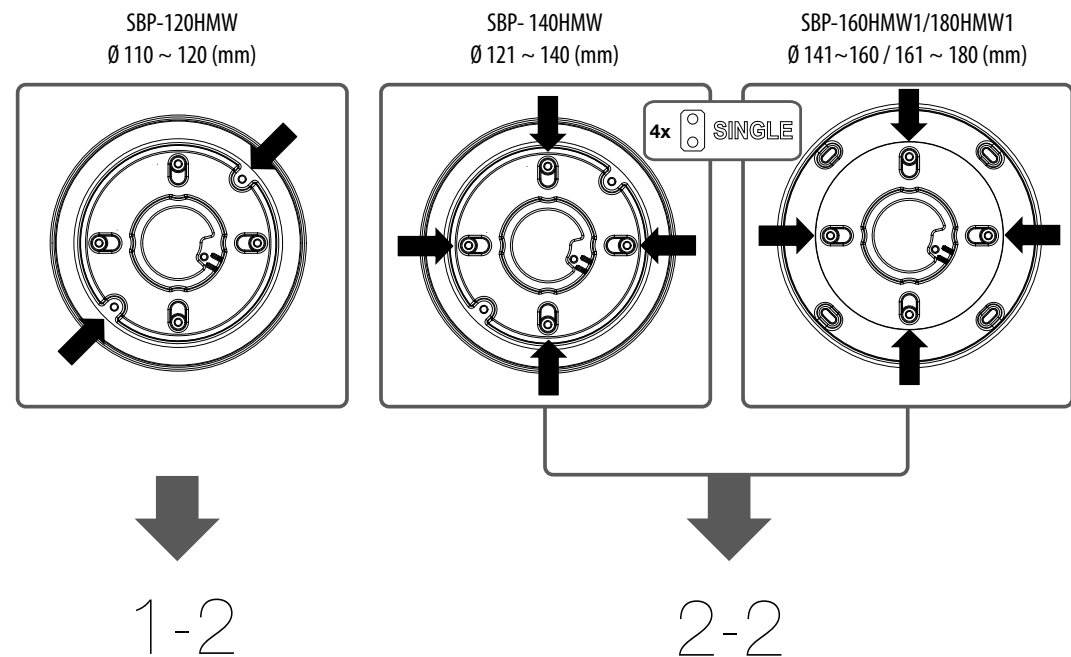


HANGING ADAPTOR

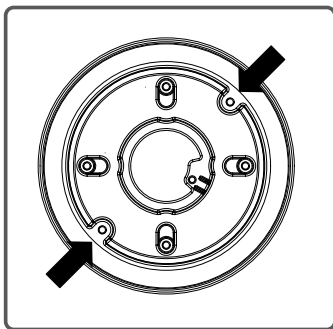


SCREWS (4EA)

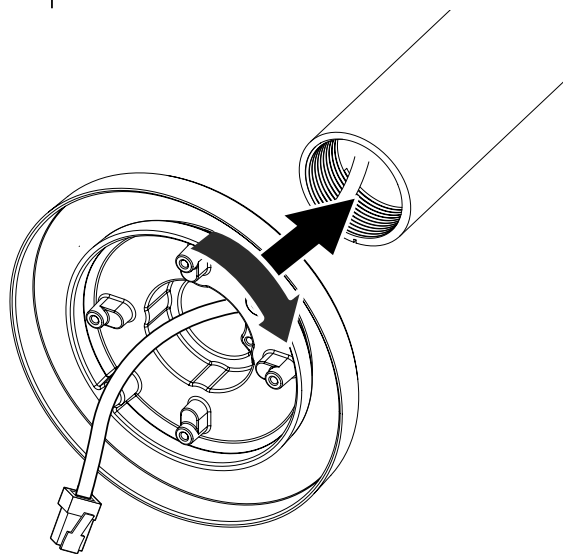
Installation



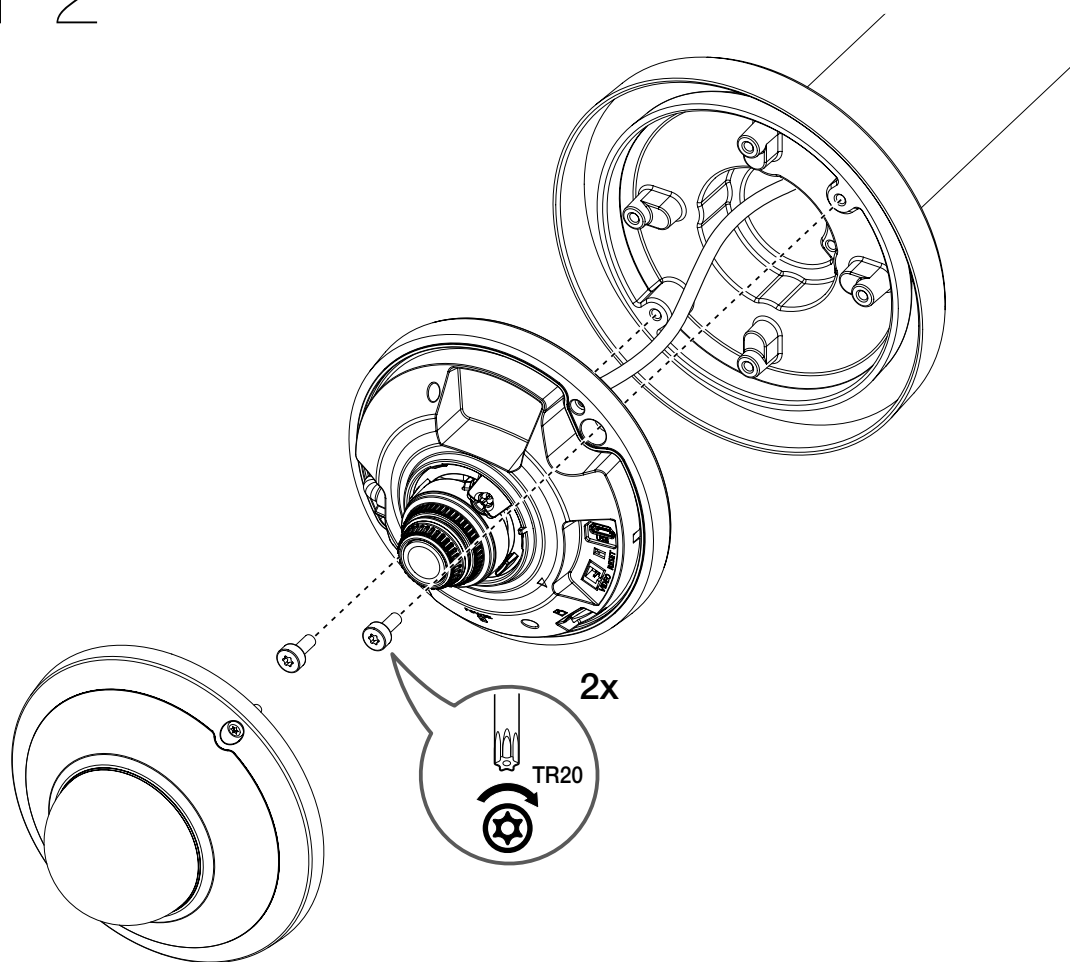
SBP-120HMW
Ø 110 ~ 120 (mm)



1-1

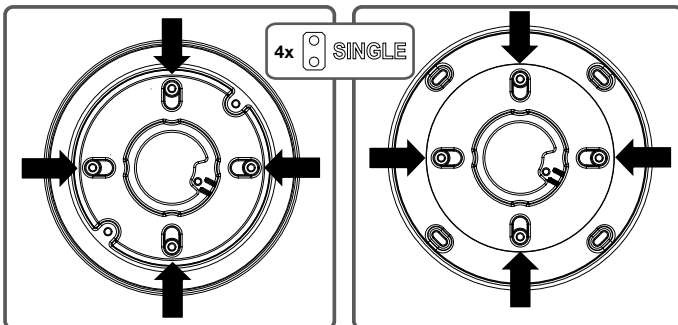


1-2

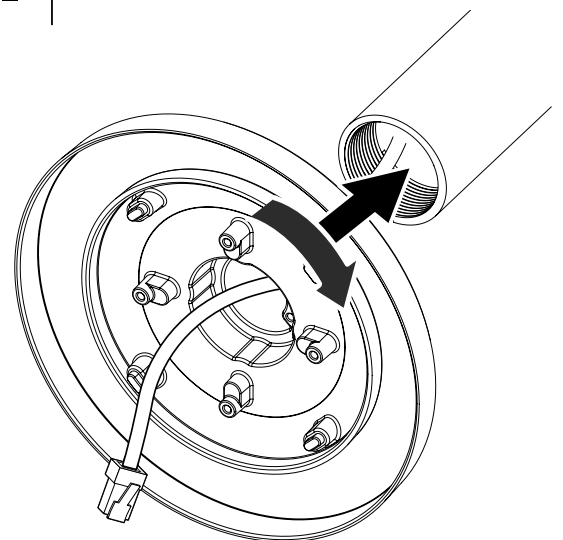


SBP-140HMW
Ø 121 ~ 140 (mm)

SBP-160HMW1/180HMW1
Ø 141 ~ 160 / 161 ~ 180 (mm)



2-1



2-2

2-3

