



# SBP-180HMW1

Hanging Mount



## Key Features

- Core : Aluminum / Cap : Plastic, White
- Mount screw size : TR20

# SBP-180HMW1

Hanging Mount

## Specifications

### Mechanical

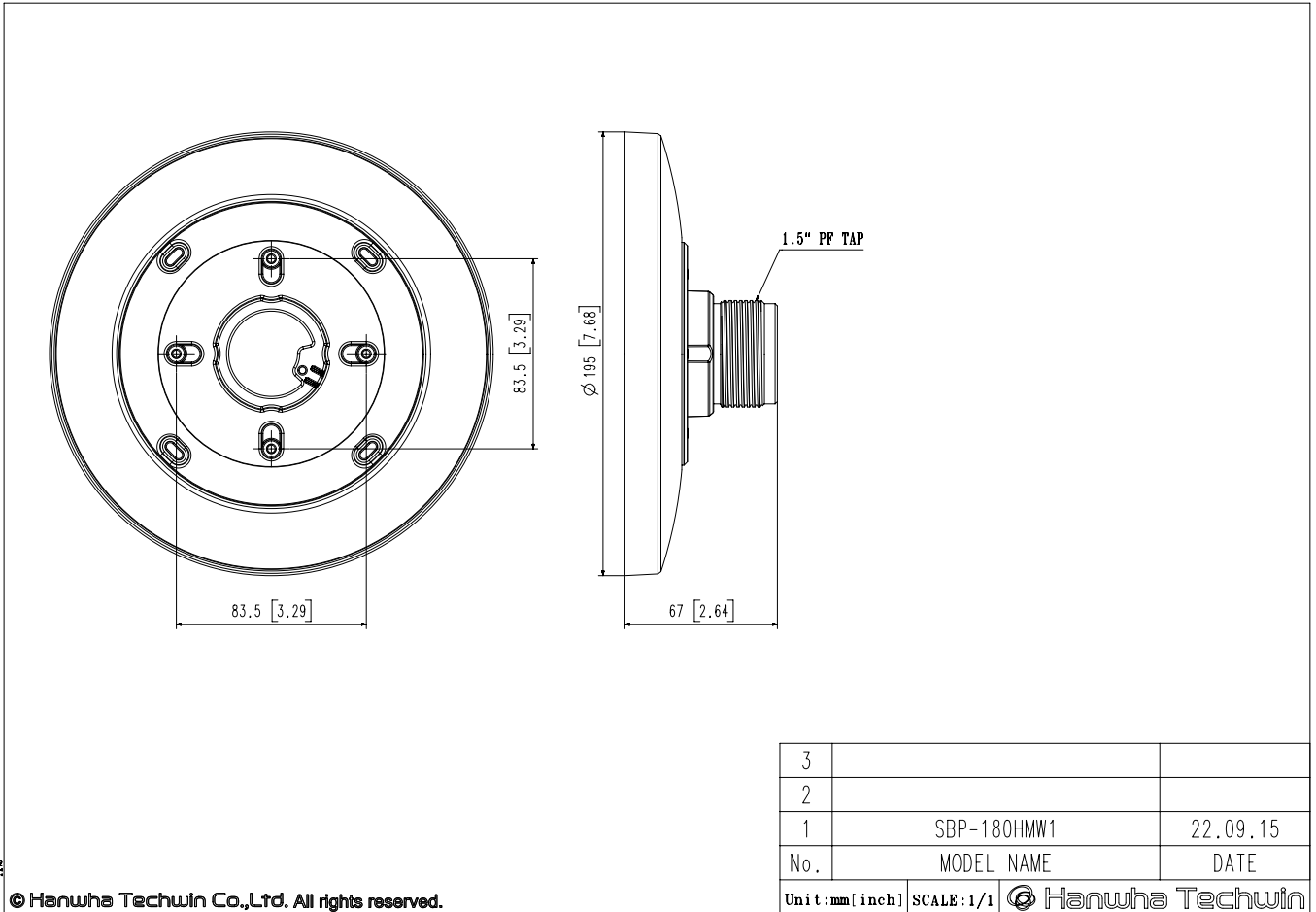
Color	White
Material	Core : Aluminum / Cap : Plastic
RAL code	RAL9003
Product dimensions / weight	Φ195x67mm(Φ7.68x2.64"), 340g(0.75lb)
Mount Screw size	TR20
Supported products	XNV-6083R/8083R/8093R/9083R, XNV-6083RZ/8083RZ/9083RZ, XNV-6123R, PNV-A6081R/9081R, XNV-8082R/9082R

# SBP-180HMW1

Hanging Mount

CAD

Unit: mm [inch]



A2

© Hanwha Techwin Co., Ltd. All rights reserved.