

**WISENET**

# **In-ceiling Housing**

## Installation Manual

SHP-1520FW



# TABLE OF CONTENTS

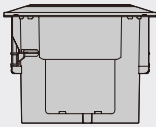


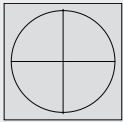


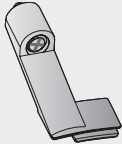
---

Overview .....	3
What's Included .....	3
Installation Instructions .....	4
Installation .....	5
Product Specifications .....	10

# OVERVIEW

This In-CEILING HOUSING is a mounting ADAPTOR that is designed to mount the smart dome camera in built-in style on a double-layer ceiling.

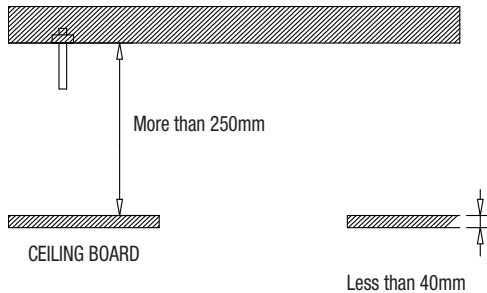
## WHAT'S INCLUDED

		
Housing	Safety Bracket (1EA)	Safety Wire (1SET)
		
Template (1EA)	Screw (4EA)	Installation Manual
		
Fixing Bracket (1EA)		

# INSTALLATION INSTRUCTIONS

---

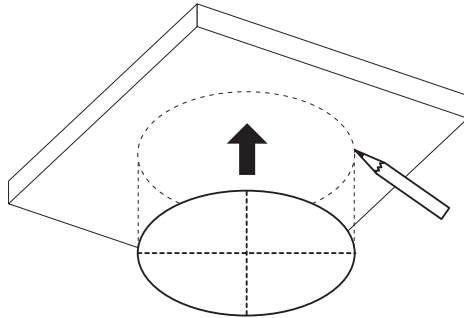
1. Select an installation position or place that can endure more than 4 times of the total weight of the installation structure.
2. At least 250mm or more of spare height is required above the CEILING BOARD.
3. CEILING BOARD's thickness should be less than 40mm.
4. Be sure to secure the SAFETY WIRE to avoid a product fall.
5. If you want to attach the camera to the ADAPTOR, use the only provided SCREWS.



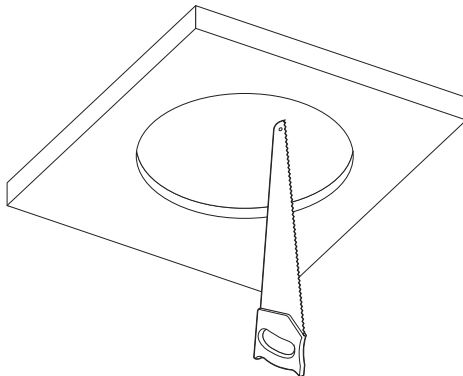
# INSTALLATION

Applicable model : XNP-6320/XNP-6321/QNP-6230

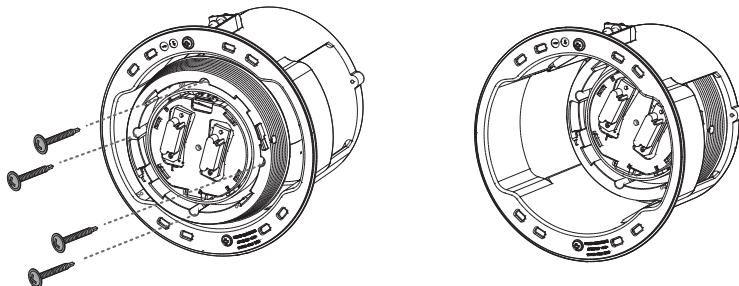
1. Attach the installation template to the ceiling and mark its location with a pencil.



2. Attach the mount template to a surface you want and drill holes.

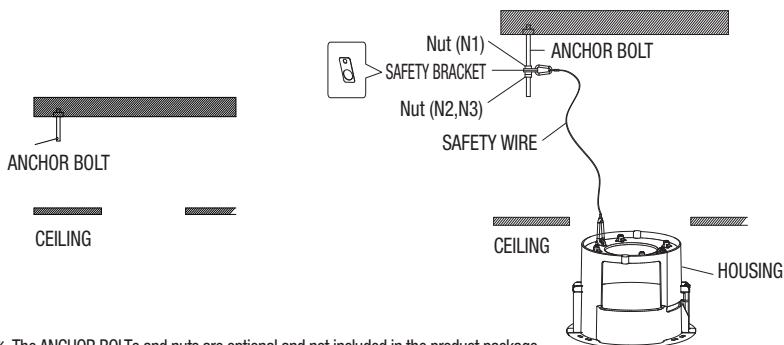


3. Connect the install base included in the PTZ camera to the housing for installation using the 4 screws that are included as accessories.



4. Fix the ANCHOR BOLT onto the concrete CEILING, and secure the SAFETY WIRE to the ANCHOR BOLT as below:

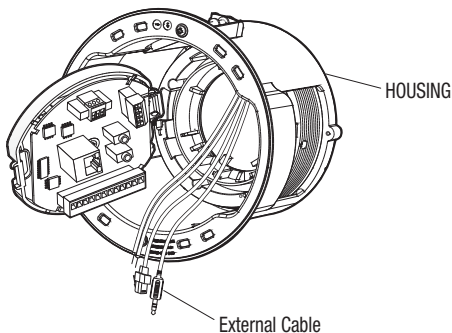
- 1 Tighten the nut ("N1") on the ANCHOR BOLT.
- 2 Insert the provided SAFETY BRACKET into the ANCHOR BOLT.
- 3 Tighten two nuts ("N2", "N3") onto the ANCHOR BOLT.
- 4 Hook and fix one end of the SAFETY WIRE onto the SAFETY BRACKET.
- 5 Hook and fix the other end of SAFETY WIRE onto the HOUSING as shown below.



- Press the SNAP-FIT on the ADAPTOR to open it, and insert camera cables and external connection cables into the HOUSING through the hole (see figure below).



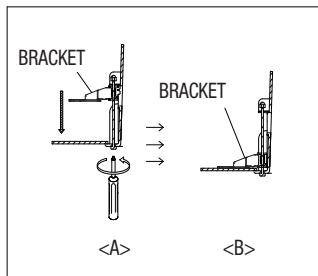
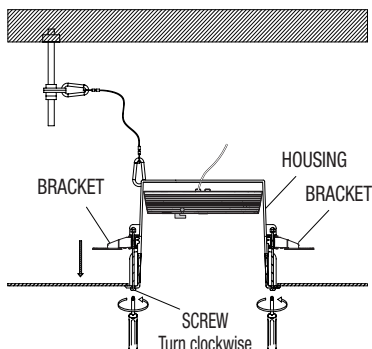
- Refer to the installation manual of the camera that you want to install, and prepare necessary cables for camera connection.



- Push the HOUSING inside the CEILING through the CEILING hole, and tighten the SCREWS (x2) clockwise to fix the HOUSING on the CEILING. (The BRACKET will be positioned from <A> to <B> as shown.)



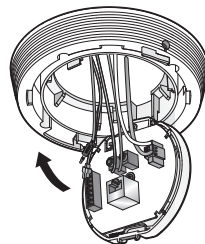
- Ensure that the HOUSING is firmly secured to the CEILING BOARD.



## 7. Camera Cable Arrangement and Hinged Door Close

Connect the cable to the terminal block on the hinged door. Please refer to 'Camera Cabling Diagram' in the installation manual.

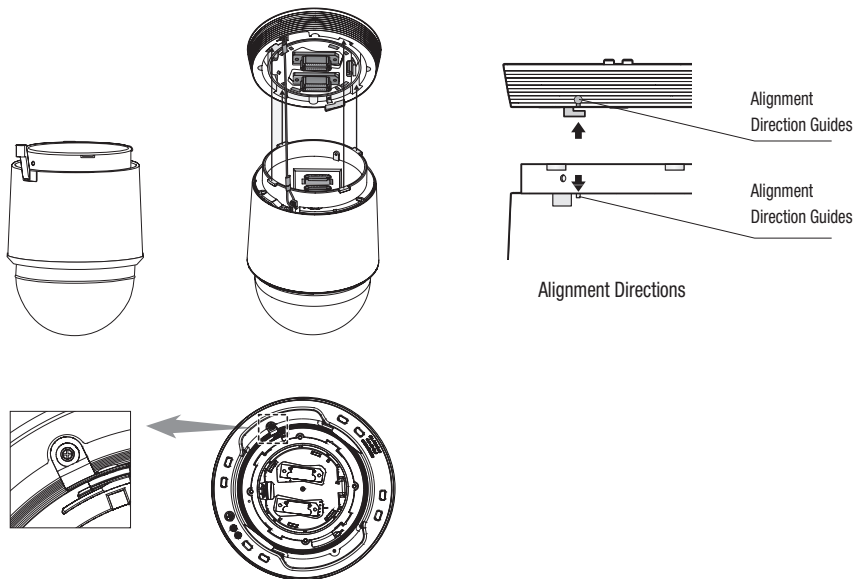
After cabling, please close the hinged door.



## 8. Camera Installation

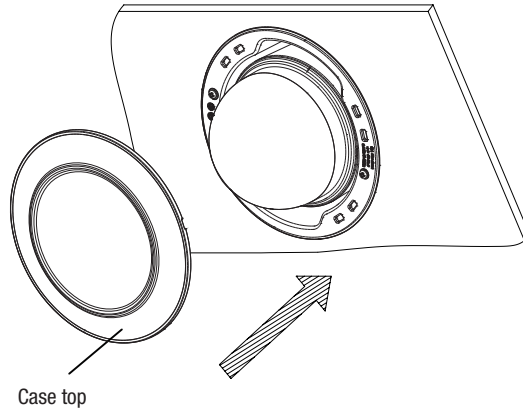
Insert the fixing bracket into the camera bezel. Connect the safety cable first, and then assemble the camera. The safety cable is wound around the install base as shown in the figure below to mount onto the hook of the safety cable. Pull from the install base as shown in the figure below to mount onto the hook of the safety cable. After mounting the install base as shown in the figure, turn the unit in a clockwise direction. After turning the unit, connect the screw on the fixing bracket to the lower bracket.

× To attach the camera to the mount, refer to the alignment guide marks as shown in the figure.





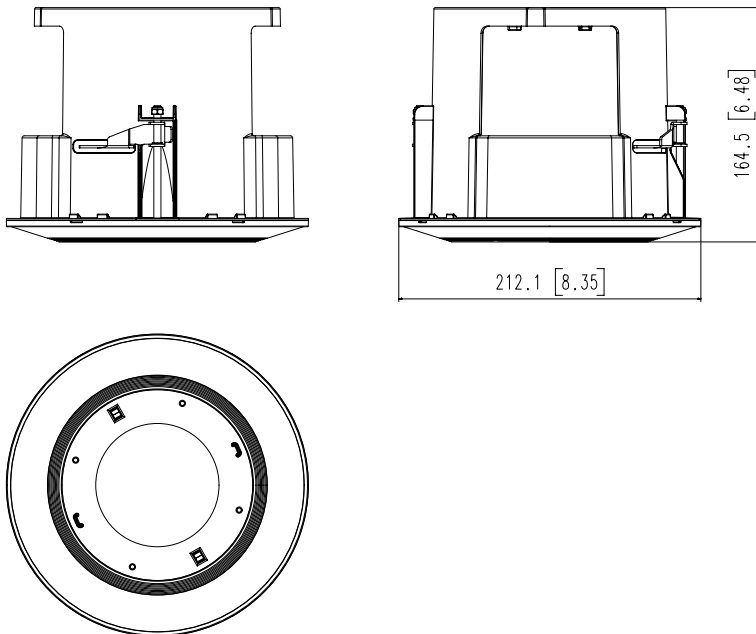
9. Mount the case top into the housing.



# PRODUCT SPECIFICATIONS

Item	Specifications
Dimension (mm)	W212.1 X H164.5
Weight	450g
Temperature	-10°C ~ 50°C
Material	PC
Color	White

Unit : mm[Inch]



---

**Head Office**

6, Pangyo-ro 319 beon-gil, Bundang-gu, Seongnam-si,  
Gyeonggi-do, 463-400 Rep. of KOREA  
Tel : +82.70.7147.8753 Fax : +82.31.8018.3740  
[www.hanwha-security.com](http://www.hanwha-security.com)

---

**Hanwha Techwin America**

500 Frank W. Burr Blvd. Suite 43 Teaneck, NJ 07666  
Toll Free +1.877.213.1222 Direct +1.201.325.6920  
Fax +1.201.373.0124  
[www.hanwha-security.com](http://www.hanwha-security.com)

---

**Hanwha Techwin Europe**

Heriot House, Heriot Road, Chertsey, Surrey, KT16 9DT, United Kingdom  
Tel +44.1372.235663 Fax +44.1932.57.8101  
[www.hanwha-security.eu](http://www.hanwha-security.eu)

---

**Hanwha Techwin Vietnam Hanoi Office**

28th Floor, Handico Building, Pham Hung Street, Me Tri ward,  
Nam Tu Liem District, Hanoi City, Vietnam  
Tel : +84.91.982.40.88  
<http://hanwha-security.com>

---