

# SPA-C100

IP Ceiling Speaker



## Key Features

- Output Level: +6dBV  $\pm$  3dB
- Frequency Response: 20Hz ~ 20kHz
- Amplifier: Built in 10W Class D
- Power: PoE (IEEE 802.3 af type 1 Class 3), PoE+(IEEE 802.3 at type 2 Class 4)
- Internal Memory: 1 GBytes
- Max. Sound Pressure Level: 99dB
- Frequency Range (-10dB): 120Hz~20kHz
- Sensitivity (1Watt): 90dB
- Supported Protocol: IPv4, HTTP, SIP, mDNS, DNS, NTP, TCP, UDP, DHCP, ARP, ICMP
- TTS: English(US, UK), German, French, Spanish, Russian
- Audio Monitoring: Speaker, Connection test

# SPA-C100

## IP Ceiling Speaker



### Specifications

#### Product

Type	IP Ceiling Speaker
------	--------------------

#### Line Output

Output Level	+6dBV ± 3dB
Frequency Response	20Hz ~ 20kHz
THD + N Ratio (AES17 LPF)	Less than 0.1%
S/N Ratio (20kHz LPF, A-WTD)	Greater than 85dB

#### Amplifier

Description	Built in 10W Class D
-------------	----------------------

#### Power Amp

Output Power (8Ω, 1kHz Sine wave)	3.7W (PoE), 10W (PoE+) @5kHz
-----------------------------------	------------------------------

#### Network

Ethernet	10/100 Base-T
----------	---------------

#### Memory

Internal Memory	1 GBytes
External Memory (Micro SD)	SDHC upto 32GB (SANDISK)

#### Contact

Contact Input. Dry contact	One channel
Contact Output. Dry contact (NO)	One channel

#### General

Operating Temperature	-20 ~ +50°C (-4°F ~ +122°F)
Operating Humidity	10~85% RH (Non-Condensing)
Weight	1.8Kg
Size	Φ269*142.5(H)
Color	Black/White
Certificate	EMC : KS C 9832/9835, EN 55032/55035 Safety : KC 62368-1

#### Power

PoE	PoE (IEEE 802.3 af type 1 Class 3)
PoE+	PoE+(IEEE 802.3 at type 2 Class 4)

#### Embedded MIC

Input Sensitivity	Sound Level Meter
Frequency Response	Sound Level Meter

#### Audio

Built-in microphone	50Hz ~16kHz
---------------------	-------------

<b>Audio Compression</b>	WAV, MP3 in mono/stereo from 64 kbps to 320 kbps. Sampling rate from 16 kHz up to 48 kHz
--------------------------	---

## Speaker

<b>Speaker Component</b>	2Way 8" LF Drive & 2" HF Drive. Coaxial Cone type
<b>Max. Sound Pressure Level (PoE : 3.7 Watt)</b>	96dB
<b>Max. Sound Pressure Level (PoE+ : 10 Watt)</b>	99dB
<b>Frequency Range (-10dB)</b>	120Hz~20kHz
<b>Sensitivity (1Watt)</b>	90dB
<b>Coverage Pattern</b>	(HxV) : 90°(1kHz) / 60°(4kHz)

## Network Protocol

<b>Security</b>	Password protection : admin,setup,user,guest (sha-2, Digest authentication, User access log) Digest authentication, User access log
<b>Supported Protocols</b>	IPv4, HTTP, SIP, mDNS, DNS, NTP, TCP, UDP, DHCP, ARP, ICMP

## System Integration

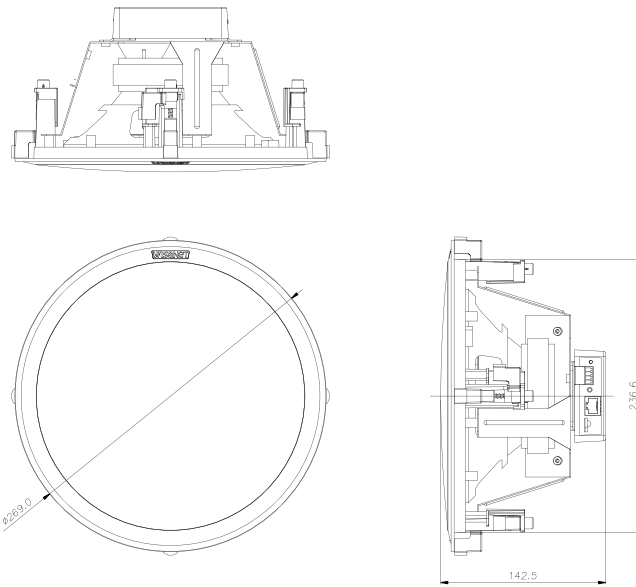
<b>API (Application Programming Interface)</b>	SUNAPI
<b>Multi-source Dynamic PA control</b>	Multi-source up to 48 (Multicast) (Audio 24CH + Mic 24CH) Up to 256 Zone Control (Multicast) Up to 20 Zone Control (Unicast) Up to 255 Groups
<b>VoIP</b>	Tested with PBX suppliers such as Cisco and Asterisk. Supported SIP features: DTMF (RFC2833) Supported codecs: PCMU, PCMA, speex/8000, speex/16000
<b>TTS</b>	Domestic Version : Korean Export Version : English(US, UK), German, French, Spanish, Russian
<b>Audio Monitoring</b>	Speaker test by graphic level meter (Built in test tool)
<b>Event &amp; Preset</b>	Virtual Contact, Dry contact
<b>Functional Monitoring</b>	Connection verification, Built-in system logging

**SPA-C100**  
IP Ceiling Speaker



CAD

Unit: mm [inch]



3	MODEL2	
2	MODEL1	
1	SPA-C100BW	'22.7.15
No.	MODEL NAME	DATE
Unit: mm [inch] SCALE: 1/1		© Hanwha Techwin

© Hanwha Techwin Co., Ltd. All rights reserved.