

SPA-C100

IP Ceiling Speaker



Key Features

- Output Level: +6dBV \pm 3dB
- Frequency Response: 20Hz ~ 20kHz
- Amplifier: Built in 10W Class D
- Power: PoE (IEEE 802.3 af type 1 Class 3), PoE+(IEEE 802.3 at type 2 Class 4)
- Internal Memory: 1 GBytes
- Max. Sound Pressure Level: 99dB
- Frequency Range (-10dB): 120Hz~20kHz
- Sensitivity (1Watt): 90dB
- Supported Protocol: IPv4, HTTP, SIP, mDNS, DNS, NTP, TCP, UDP, DHCP, ARP, ICMP
- TTS: English(US, UK), German, French, Spanish, Russian
- Audio Monitoring: Speaker, Connection test

SPA-C100

IP Ceiling Speaker



Specifications

Product

Type	IP Ceiling Speaker
------	--------------------

Line Output

Output Level	+6dBV ± 3dB
Frequency Response	20Hz ~ 20kHz
THD + N Ratio (AES17 LPF)	Less than 0.1%
S/N Ratio (20kHz LPF, A-WTD)	Greater than 85dB

Amplifier

Description	Built in 10W Class D
-------------	----------------------

Power Amp

Output Power (8Ω, 1kHz Sine wave)	3.7W (PoE), 10W (PoE+) @5kHz
-----------------------------------	------------------------------

Network

Ethernet	10/100 Base-T
----------	---------------

Memory

Internal Memory	1 GBytes
External Memory (Micro SD)	SDHC upto 32GB (SANDISK)

Contact

Contact Input. Dry contact	One channel
Contact Output. Dry contact (NO)	One channel

General

Operating Temperature	-20 ~ +50°C (-4°F ~ +122°F)
Operating Humidity	10~85% RH (Non-Condensing)
Weight	1.8Kg
Size	Φ269*142.5(H)
Color	Black/White
Certificate	EMC : KS C 9832/9835, EN 55032/55035 Safety : KC 62368-1

Power

PoE	PoE (IEEE 802.3 af type 1 Class 3)
PoE+	PoE+(IEEE 802.3 at type 2 Class 4)

Embedded MIC

Input Sensitivity	Sound Level Meter
Frequency Response	Sound Level Meter

Audio

Built-in microphone	50Hz ~16kHz
---------------------	-------------

Audio Compression	WAV, MP3 in mono/stereo from 64 kbps to 320 kbps. Sampling rate from 16 kHz up to 48 kHz
--------------------------	---

Speaker

Speaker Component	2Way 8" LF Drive & 2" HF Drive. Coaxial Cone type
Max. Sound Pressure Level (PoE : 3.7 Watt)	96dB
Max. Sound Pressure Level (PoE+ : 10 Watt)	99dB
Frequency Range (-10dB)	120Hz~20kHz
Sensitivity (1Watt)	90dB
Coverage Pattern	(HxV) : 90°(1kHz) / 60°(4kHz)

Network Protocol

Security	Password protection : admin,setup,user,guest (sha-2, Digest authentication, User access log) Digest authentication, User access log
Supported Protocols	IPv4, HTTP, SIP, mDNS, DNS, NTP, TCP, UDP, DHCP, ARP, ICMP

System Integration

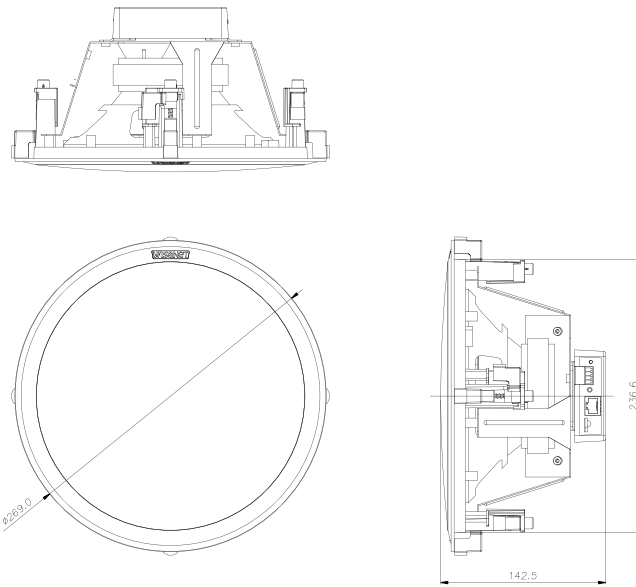
API (Application Programming Interface)	SUNAPI
Multi-source Dynamic PA control	Multi-source up to 48 (Multicast) (Audio 24CH + Mic 24CH) Up to 256 Zone Control (Multicast) Up to 20 Zone Control (Unicast) Up to 255 Groups
VoIP	Tested with PBX suppliers such as Cisco and Asterisk. Supported SIP features: DTMF (RFC2833) Supported codecs: PCMU, PCMA, speex/8000, speex/16000
TTS	Domestic Version : Korean Export Version : English(US, UK), German, French, Spanish, Russian
Audio Monitoring	Speaker test by graphic level meter (Built in test tool)
Event & Preset	Virtual Contact, Dry contact
Functional Monitoring	Connection verification, Built-in system logging

SPA-C100
IP Ceiling Speaker



CAD

Unit: mm [inch]



3	MODEL2	
2	MODEL1	
1	SPA-C100BW	'22.7.15
No.	MODEL NAME	DATE
Unit: mm [inch] SCALE: 1/1		© Hanwha Techwin

© Hanwha Techwin Co., Ltd. All rights reserved.