

SBV-138TMW

Tilt Mount

FC |  | CE | ENEC

Key Features

- Material: Aluminum
- Dimensions: Ø137.9x56.8mm(Ø5.43x2.24")
- Weight: 220g
- Color: White
- Supported products: QNV-6072R/6082R, QNV-7082R, QNV-8080R, LNV-6072R

SBV-138TMW

Tilt Mount



Specifications

Mechanical

| | |
|-----------------------------|--|
| Color | White |
| Material | Aluminum |
| RAL code | RAL9003 |
| Product dimensions / weight | Ø137.9x56.8mm(Ø5.43x2.24"), 220g |
| Mount Screw size | TR20 |
| Supported products | QNV-6072R/6082R, QNV-7082R, QNV-8080R LNV-6072R |

SBV-138TMW

Tilt Mount

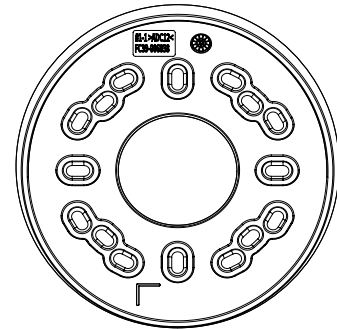
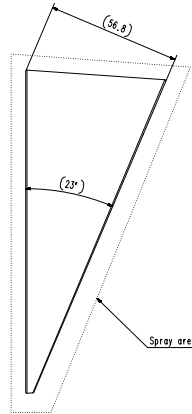
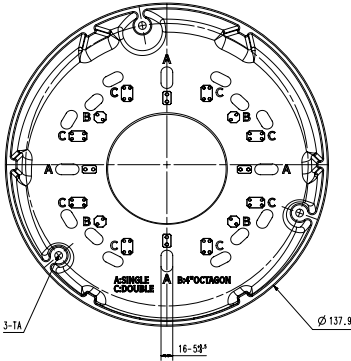
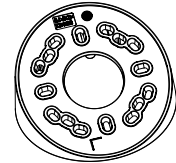
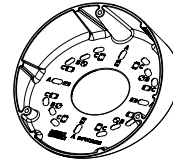
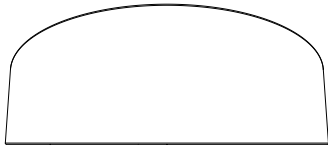


CAD

Unit: mm [inch]

This parts should not contain any substances which are specified in JMSD-0055E

| NO | PART NAME | CODE NO. | MATERIAL | Q'TY | REMARK |
|----|-----------------------|--------------|------------|------|--------|
| 1 | MOUNT-TILT-SBV-138TMW | FC39-006839A | Check note | 1 | - |



* Unspecified threads must be non sprayed

NOTE: Die-Casting

1. Material and Basic gull thickness : ADC12, 12.5
2. After die casting the location must be finished with HTB designer.
3. Factor die flash must be less than 0.3 mm (0.1 inch), no flash is allowed.
4. Unspecified edge roundness must be less than R0.3. Unspecified corners must be less than R0.3.
5. No deformation, no bubble, shrinkage, etc. allowed.
6. Level of top surface must be less than 0.05.
7. Unspecified draft angle must be less than 10°.
8. A marks (key dimension) must be correctly handled.
9. Surface cutting level of top and level must be consistent with other surface cutting level.
10. Part Name, Code Number, Model Name, Material, Note Name must be carved on the inner side of the part.
11. Surface and corner must be handled with HTB designer.
12. Handling surface cutting, automatic sanding, spray, etc. must follow Design Specification note.
13. Part name must not be cut under.
14. All other packing specifications must be discussed separately.
15. All other issues must be handled in HTB designer.

Coating Specification

| CODE NO. | STANDARD | DESIGNATION |
|----------|----------|--------------------|
| | | HTB-SP-3 |
| Color | | Matte Powder White |
| Priming | | Color |
| Process | Coating | Coating |

| Symbol | No. | Spec | Depth | Remark |
|--------|-----|----------|-------|--------|
| TA | 3ea | M4 x 0.7 | 10mm | |

STANDARD TOLERANCE

| DIV | mm | mm | mm | mm | mm |
|-------|-------|------|------|------|------|
| 1-3 | ±0.1 | ±0.1 | ±0.1 | ±0.1 | ±0.1 |
| 4-6 | ±0.05 | ±0.1 | ±0.1 | ±0.1 | ±0.1 |
| 7-10 | ±0.05 | ±0.1 | ±0.1 | ±0.1 | ±0.1 |
| 11-15 | ±0.05 | ±0.1 | ±0.1 | ±0.1 | ±0.1 |

A2 CHANGE (Rev. 01/2014)

| UNIT | DESIGN | CHECK | APPROVAL | PART NAME |
|----------------|------------|---------|----------|-----------------------|
| MM | JM Jin | YS Choi | JY Kim | MOUNT-TILT |
| SCALE | MODEL NAME | | | |
| 1/1 | SBV-138TMW | | | |
| Hanwha Techwin | | | | CODE NO. FC39-006839A |