

Backbox

SBV-125BW



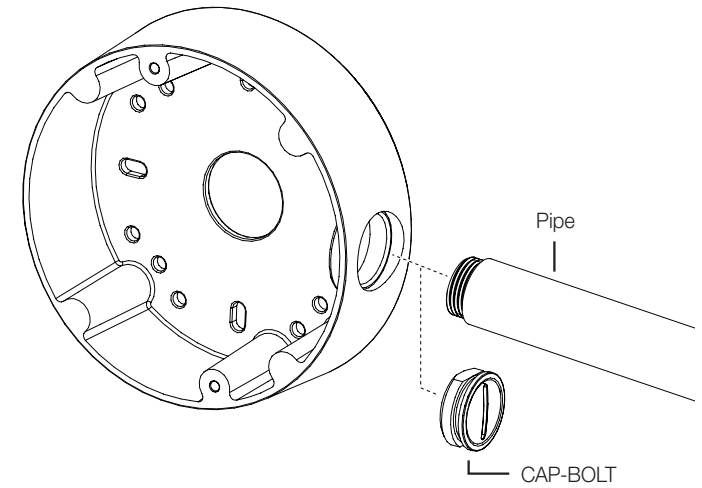
Product Features

This product is an adaptor used to install cameras in the electric gang box or on the wall or ceiling.

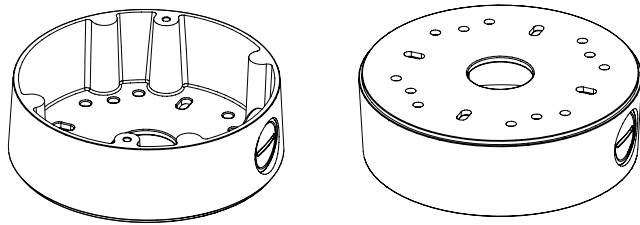
Installation Precautions

Please make sure to install on an area which is strong enough to support more than 4 times of the total weight of this product and the camera. Depending on some installation conditions, this product can be connected to 0.75" PF which is a screw peak processed pipe.

- 2 Remove the cap-bolt in the selected direction before inserting the pipe.



What's included



BACKBOX



SCREW-SPECIAL



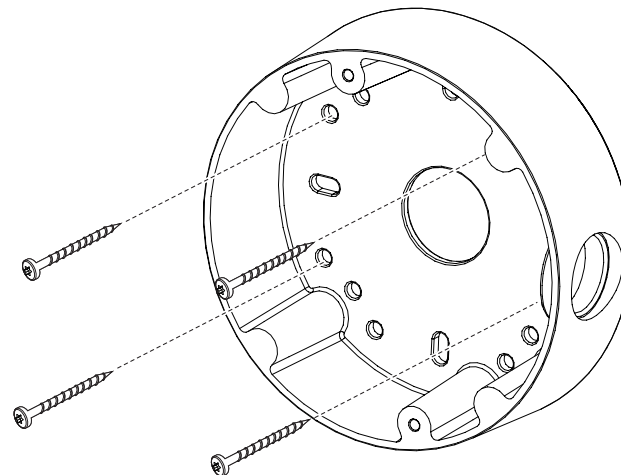
ANCHOR



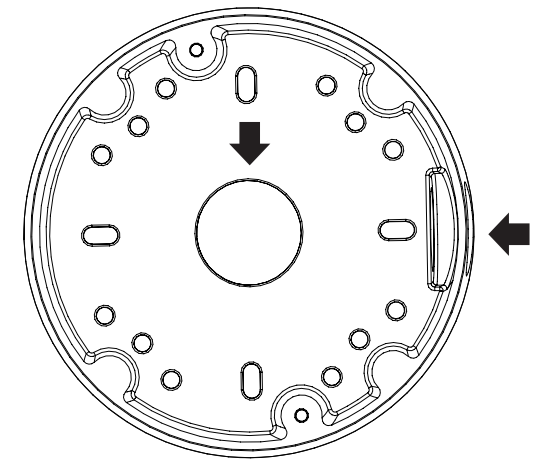
SCREW-MACHINE

Installation

- 1 Install the Backbox on a desired position.



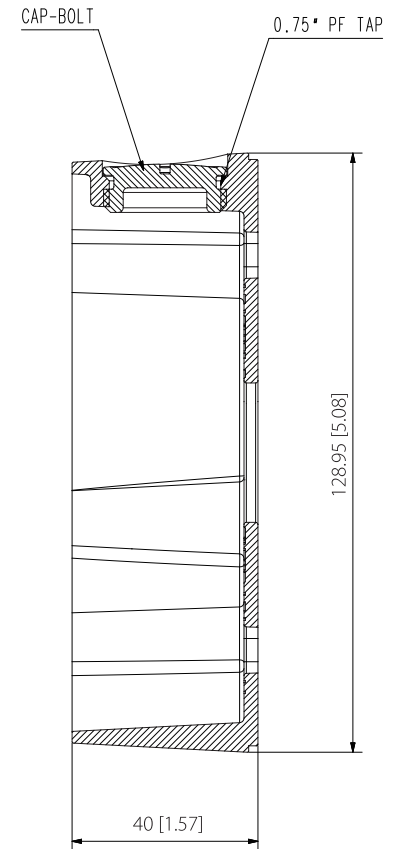
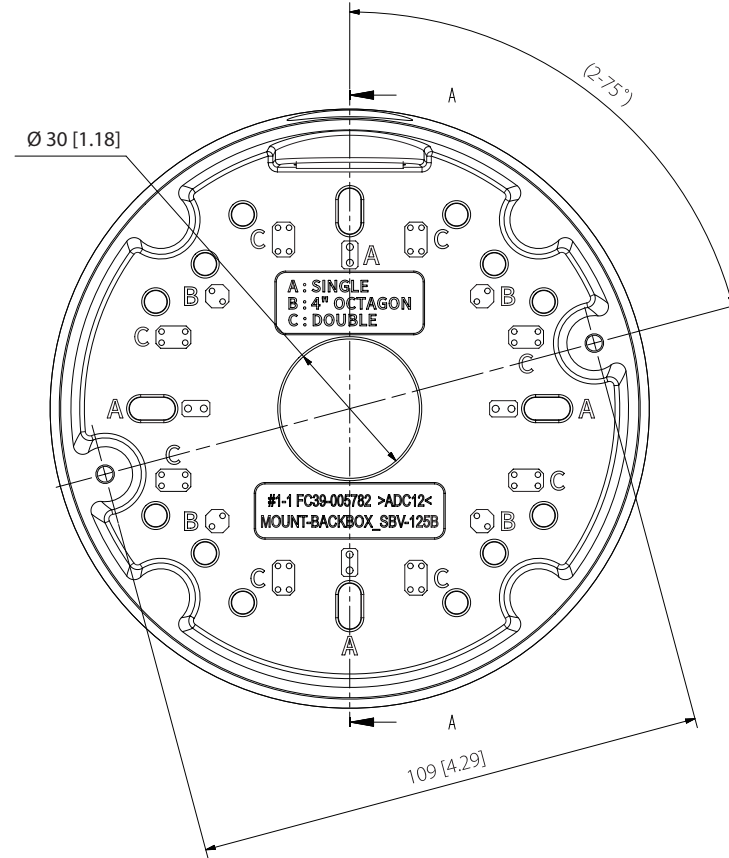
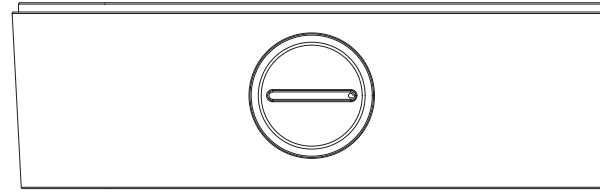
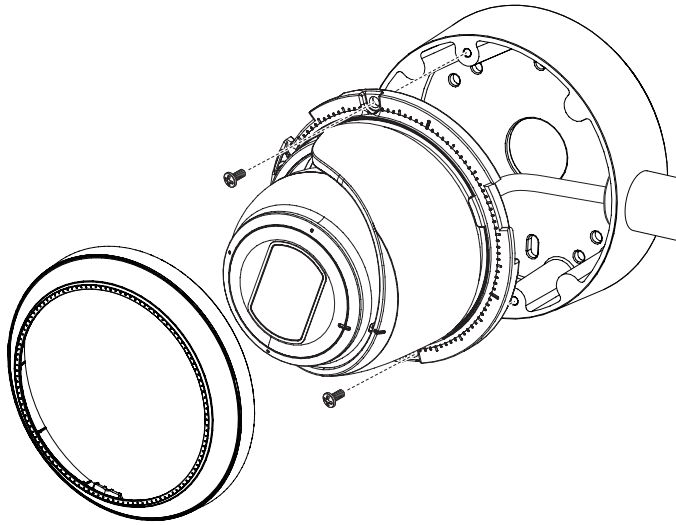
- ! However, take into consideration the pipe insertion direction. There are two directions available for inserting the pipe.



3 Attach the case-bottom to the Backbox.

mm[inch]

Product Overview



Specification

Product Name	SBV-125BW
Supported product	QNE-8011R/8021R * models can be added without notice
Color / Material	White / Aluminum
RAL Code	RAL9003
Product dimensions / weight	Ø128.95 x 40 mm (Ø5.08 x 1.57"), 345 g (0.76 lb)