

Mount Bracket

SBV-116B



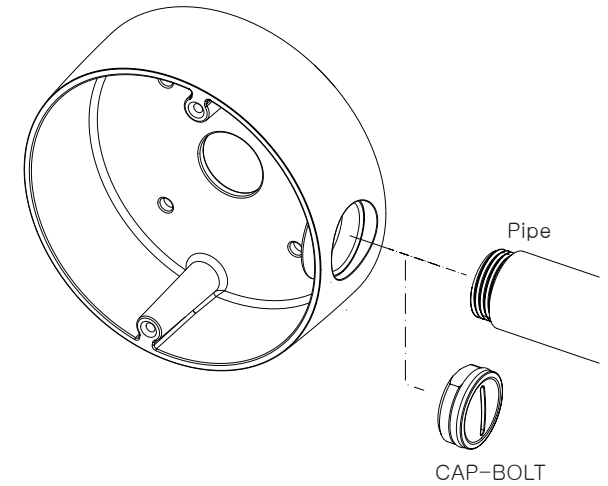
Product Overview

This product is an adaptor used to install our Vandal Dome Camera (XNV-6011) in the electric gang box or on the wall or ceiling.

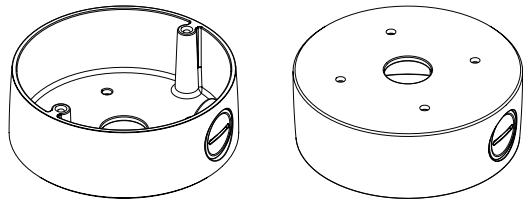
Installation Precautions

Please make sure to install on an area which is strong enough to support more than 4 times of the total weight of this product and the camera. Depending on some installation conditions, this product can be connected to 0.75" PF which is a screw peak processed pipe.

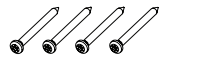
2 Remove the cap-bolt in the selected direction before inserting the pipe.



Package



MOUNT-BRACKET



SCREW-SPECIAL



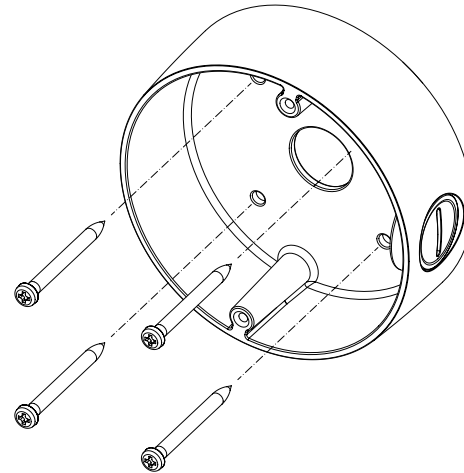
ANCHOR



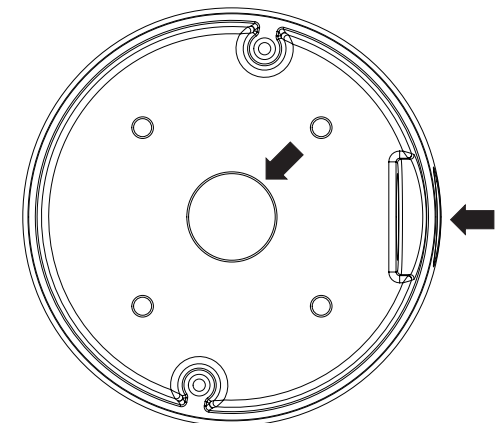
SCREW-MACHINE

Installation

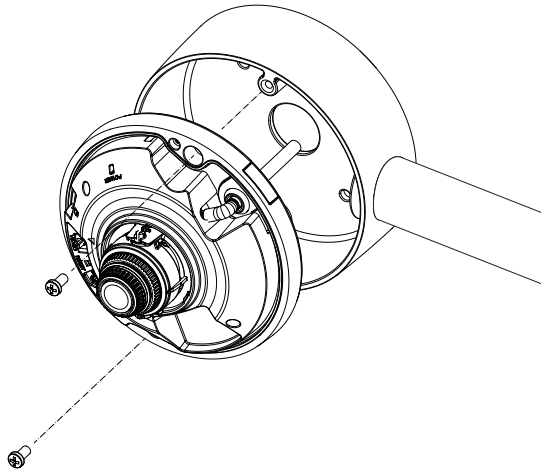
1 Install the mount bracket on a desired position.



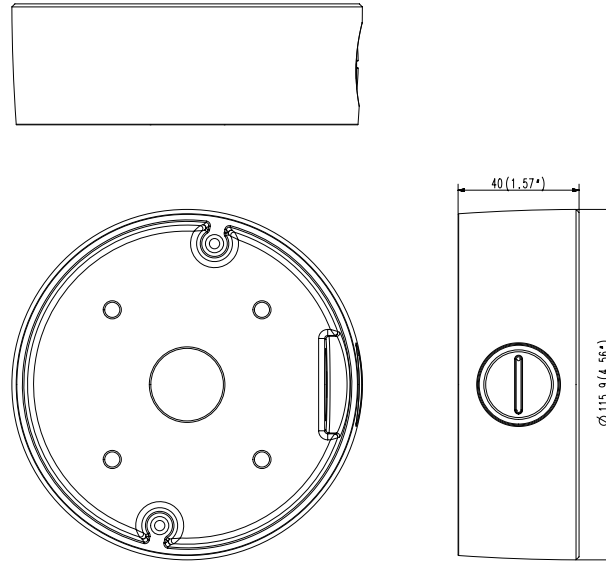
! However, take into consideration the pipe insertion direction. There are two directions available for inserting the pipe.



3 Attach the case-bottom to the mount bracket.



Product Outline



MEMO

Product Specifications

Weight	262g
Material	Aluminum
Operating Temperature	-50°C~60°C
Operating Humidity	0~100%