

WISENET

In-ceiling Housing

Installation Manual

SHD-3000F1







TABLE OF CONTENTS

Overview	3
What's Included	3
Installation Instructions	4
Installation (indoor type)	4
Installation (outdoor type)	8
Product Specifications	12

OVERVIEW

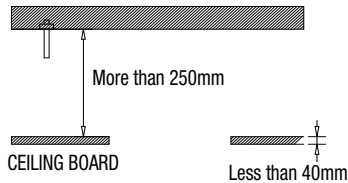
This In-CEILING HOUSING is a mounting ADAPTOR that is designed to mount the smart dome camera in built-in style on a double-layer ceiling.

WHAT'S INCLUDED

		
HOUSING	SAFETY BRACKET (1EA)	SAFETY WIRE (1SET)
		
TEMPLATE (1EA)	outdoor type (3EA) indoor type (2EA)	Lower bracket (exclusively for indoor dome cameras) (1EA)
		
INSTALLATION MANUAL		

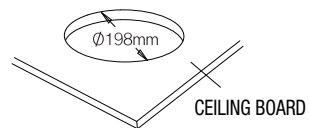
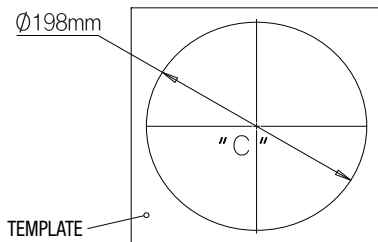
INSTALLATION INSTRUCTIONS

1. Select an installation position or place that can endure more than 4 times of the total weight of the installation structure.
2. At least 250mm or more of spare height is required above the **CEILING BOARD**.
3. **CEILING BOARD**'s thickness should be less than 40mm.
4. Be sure to secure the SAFETY WIRE to avoid a product fall.
5. If you want to attach the camera to the ADAPTOR, use the only provided SCREWS.



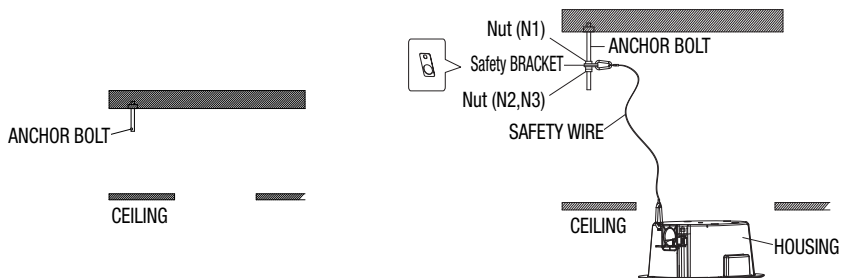
INSTALLATION (INDOOR TYPE)

1. Place the **TEMPLATE** on the **CEILING BOARD** and drill a guided hole.
 - 1 Remove the round filling ("C") from the **TEMPLATE**.
 - 2 Place **TEMPLATE A** onto the **CEILING BOARD** to which you will attach the ceiling mount ADAPTOR and drill a hole of $\text{Ø}198\text{mm}$ in diameter.See the figure below for the hole shape.



- Fix the **ANCHOR BOLT** onto the concrete **CEILING**, and secure the **SAFETY WIRE** to the **ANCHOR BOLT** as below:

- Tighten the nut ("N1") on the **ANCHOR BOLT**.
- Insert the provided **SAFETY BRACKET** into the **ANCHOR BOLT**.
- Tighten two nuts ("N2", "N3") onto the **ANCHOR BOLT**.
- Hook and fix one end of the **SAFETY WIRE** onto the **SAFETY BRACKET**.
- Hook and fix the other end of **SAFETY WIRE** onto the **HOUSING** as shown below.

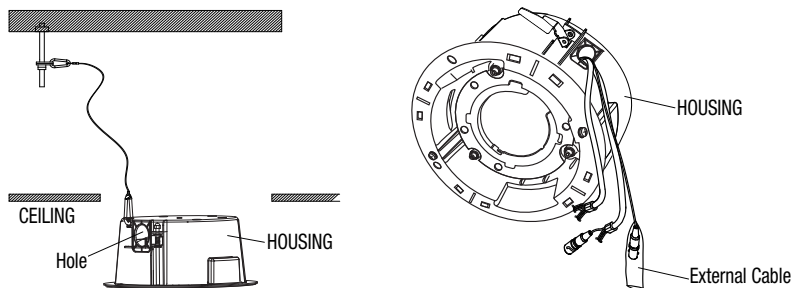


※ The ANCHOR BOLTS and nuts are optional and not included in the product package.

- To connect to the camera, insert the external cable through the side **hole** on the **housing** to the inside of the **housing** as shown in the figure.



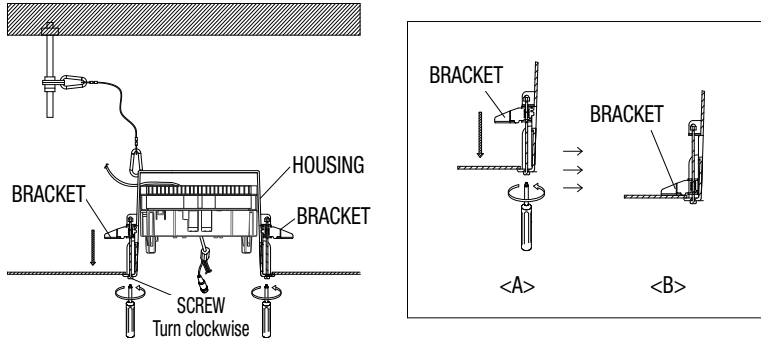
- Refer to the installation manual of the camera that you want to install, and prepare necessary cables for camera connection.



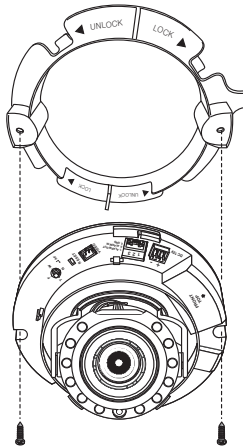
INSTALLATION (INDOOR TYPE)

4. Push the **HOUSING** inside the **CEILING** through the **CEILING** hole, and tighten the **SCREWS** (x2) clockwise to fix the **HOUSING** on the **CEILING**.
(The **BRACKET** will be positioned from <A> to as shown.)

- ☑ Ensure that the **HOUSING** is firmly secured to the **CEILING BOARD**.




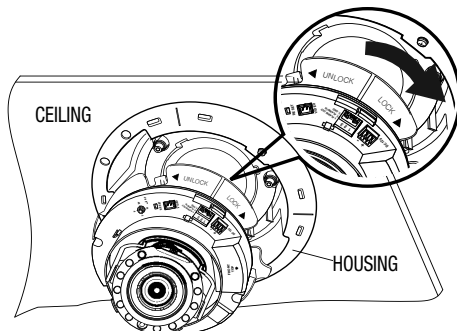
5. Combine the dome camera and the bracket using two screws.



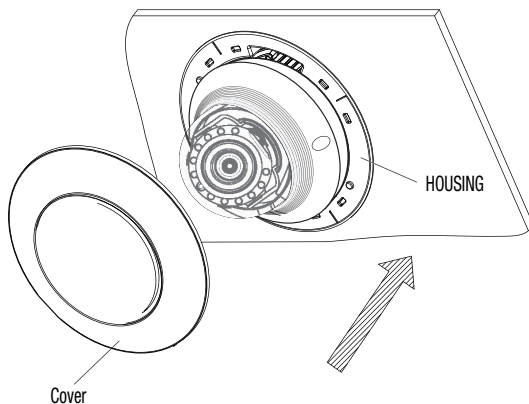
× Lower bracket is exclusively for indoor use.

6. Insert the bracket where the camera is mounted into the **housing** and fix it by turning it in the **LOCK** direction.

-  ■ When the installation is completed, remove both **PROTECTIVE TAPE** and **PRETOECTIVE COVER** from the lens.

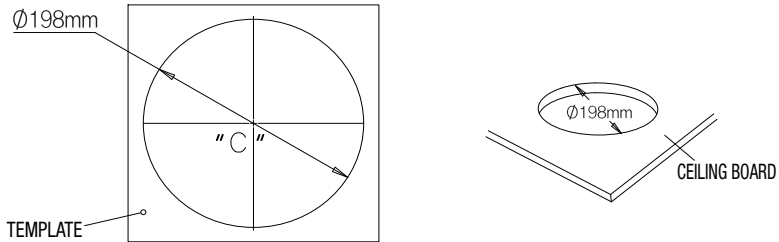


7. Attach the **COVER** to the **HOUSING**.

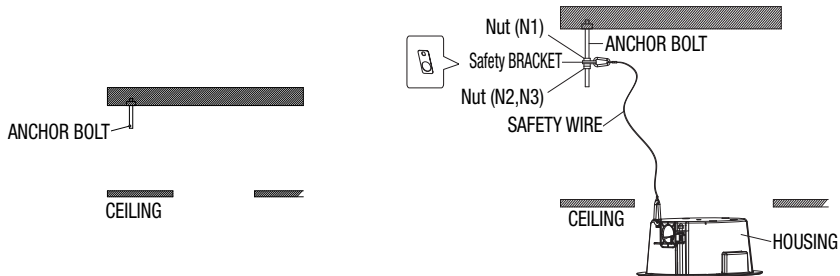


INSTALLATION (OUTDOOR TYPE)

1. Place the **TEMPLATE** on the **CEILING BOARD** and drill a guided hole.
 - ① Remove the round filling ("C") from the **TEMPLATE**.
 - ② Place the **TEMPLATE A** onto the **CEILING BOARD** to which you will attach the **CEILING** mount **ADAPTOR** and drill a $\varnothing 198\text{mm}$ hole.
See the figure below for the hole shape.




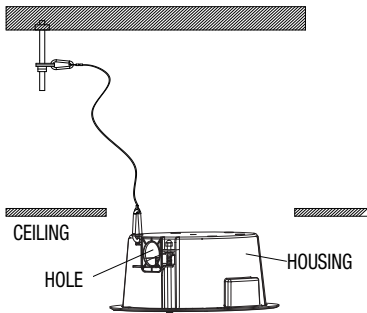
2. Fix the **ANCHOR BOLT** onto the concrete **CEILING**, and secure the **SAFETY WIRE** to the **ANCHOR BOLT** as below:
 - ① Tighten the **NUT** ("N1") on the **ANCHOR BOLT**.
 - ② Insert the provided **SAFETY BRACKET** into the **ANCHOR BOLT**.
 - ③ Tighten two **NUTS** ("N2", "N3") onto the **ANCHOR BOLT**.
 - ④ Hook and fix one end of the **SAFETY WIRE** onto the **SAFETY BRACKET**.
 - ⑤ Hook and fix the other end of **SAFETY WIRE** onto the **HOUSING** as shown below:




× The **ANCHOR BOLTS** and **nuts** are optional and not included in the product package.

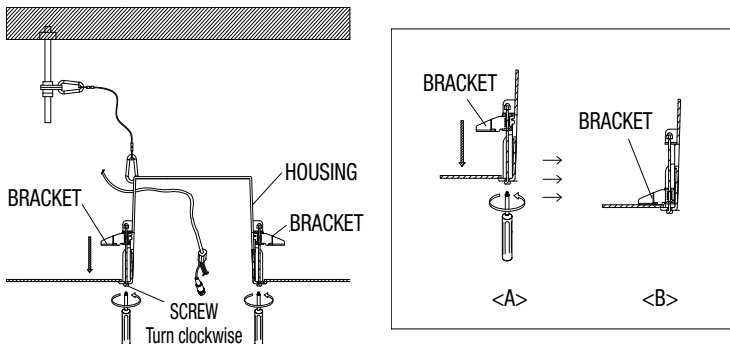
3. To connect to the camera, insert the external cable through the side **hole** on the **housing** to the inside of the **housing** as shown in the figure.

-  Refer to the installation manual of the camera that you want to install, and prepare necessary cables for camera connection.



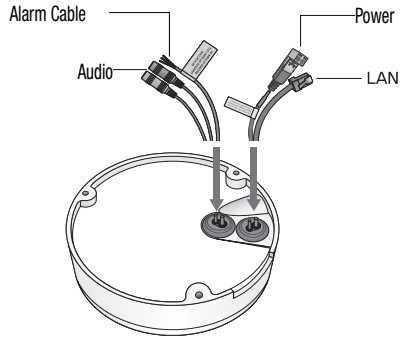
4. Push the **HOUSING** inside the CEILING through the CEILING hole, and tighten the **SCREWS** (x2) clockwise to fix the **HOUSING** on the CEILING.
(The **BRACKET** will be positioned from <A> to as shown.)

-  Ensure that the **HOUSING** is firmly secured to the **CEILING BOARD**.



INSTALLATION (OUTDOOR TYPE)

5. As shown in the figure, pull out the protrusions of the rubber cap in the bottom to make a small hole and remove the cable through it to connect to the external cable.



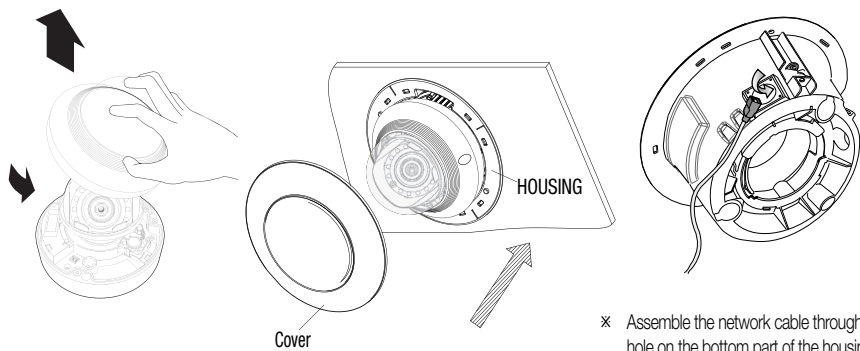
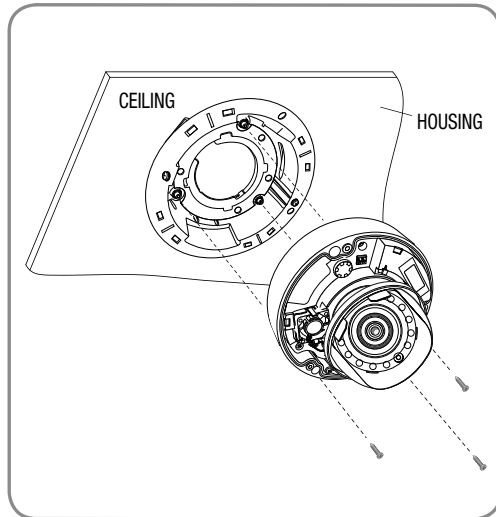
- If waterproofing in the connected cable jacket is poor, it may cause leaks. Make sure you tape it tight and thoroughly.
- The butyl rubber tape for waterproofing can extend at least twice as long as the original length.

6. Installing the camera

Using the three screws, mount the camera in the housing.

- ※ When attaching the camera to the mount, check the arrow directions in the figure below before proceeding.

7. Remove the dome cover from the camera, and install the **cover** onto the **HOUSING**.

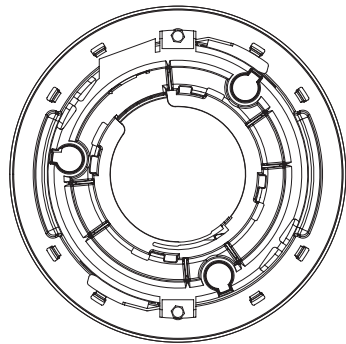
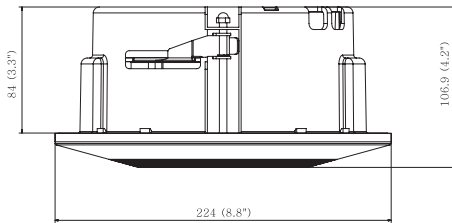


- ※ Assemble the network cable through the hole on the bottom part of the housing.

PRODUCT SPECIFICATIONS

Item	Specifications
Dimension (mm)	D224 X H106.9
Weight	490g
Temperature	-10°C ~ 50°C
Material	PC
Color	Ivory

Unit : mm (Inches)



MEMO

Head Office

6, Pangyo-ro 319 beon-gil, Bundang-gu, Seongnam-si,
Gyeonggi-do, 463-400 Rep. of KOREA
Tel : +82.70.7147.8753 Fax : +82.31.8018.3740
www.hanwha-security.com

Hanwha Techwin America

500 Frank W. Burr Blvd. Suite 43 Teaneck, NJ 07666
Toll Free +1.877.213.1222 Direct +1.201.325.6920
Fax +1.201.373.0124
www.hanwha-security.com

Hanwha Techwin Europe

Heriot House, Heriot Road, Chertsey, Surrey, KT16 9DT, United Kingdom
Tel +44.1932.57.8100 Fax +44.1932.57.8101
www.hanwha-security.eu
