

WISENET

In-ceiling Housing

Installation Manual

SHD-2510FPW



TABLE OF CONTENTS

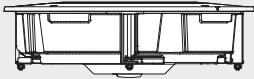


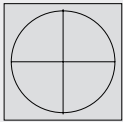

Overview	3
What's Included	3
Installation Instructions	4
Installation	4

OVERVIEW

This In-CEILING HOUSING is a mounting ADAPTOR that is designed to mount the multi-directional camera in built-in style on a double-layer ceiling.

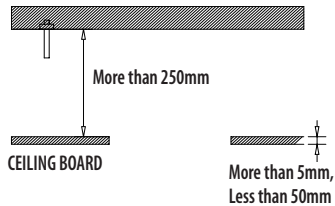
- Applicable model : PNM-9084QZ / PNM-8082VT
- ※ Supported models are subject to change.

WHAT'S INCLUDED

		
HOUSING	SAFETY BRACKET (1EA)	SAFETY WIRE (1SET)
		
TEMPLATE (1EA)	INSTALLATION MANUAL	

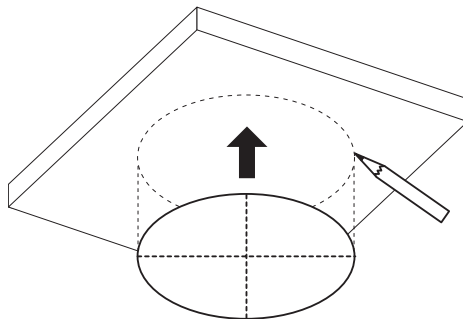
INSTALLATION INSTRUCTIONS

1. Select an installation position or place that can endure more than 4 times of the total weight of the installation structure.
2. At least 250mm or more of spare height is required above the CEILING BOARD.
3. CEILING BOARD's thickness should be less than 50mm.
4. Be sure to secure the SAFETY WIRE to avoid a product fall.
5. If you want to attach the camera to the ADAPTOR, use the only provided SCREWS.
6. CEILING BOARD must be able to sustain the weight of at least 10 kg.

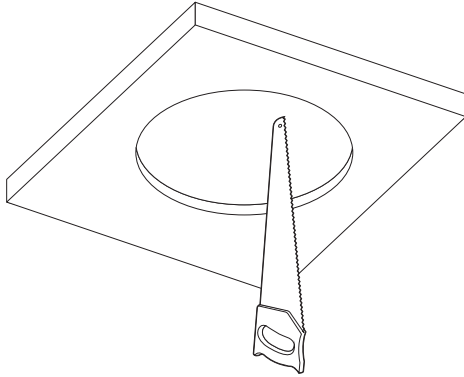


INSTALLATION

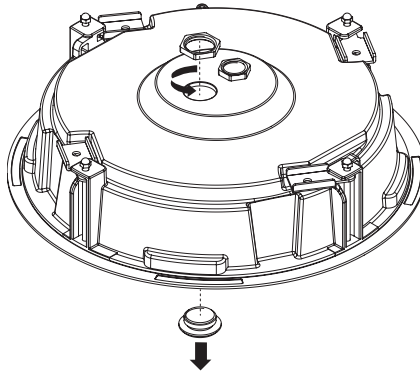
1. Attach the installation template to the ceiling and mark its location with a pencil.



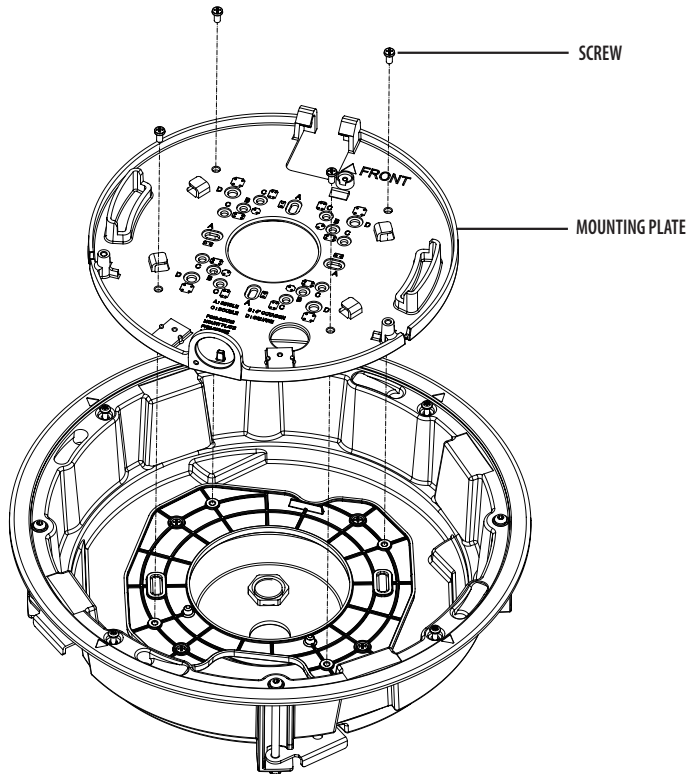
2. Attach the mount template to a surface you want and drill holes.



3. Remove the CAP and NUT that fit to the size of the HOLE you are going to use.

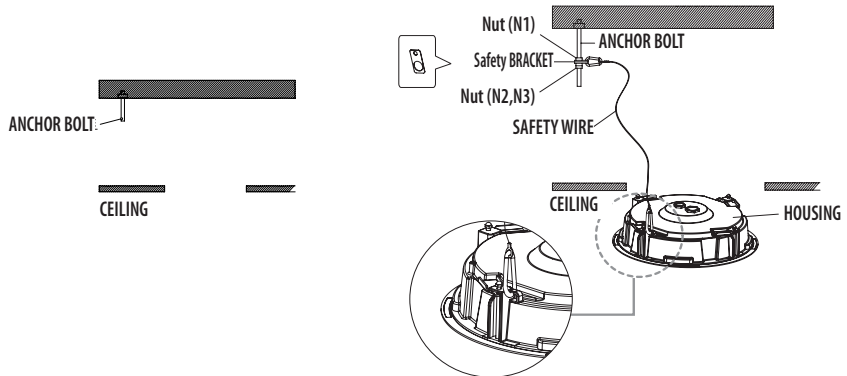


4. Follow the Disassembling section in the camera manual to remove the dome cover and mounting plate.
5. Use the screws (camera components) to join the mounting plate to the housing.



6. Fix the ANCHOR BOLT onto the concrete CEILING, and secure the SAFETY WIRE to the ANCHOR BOLT as below:

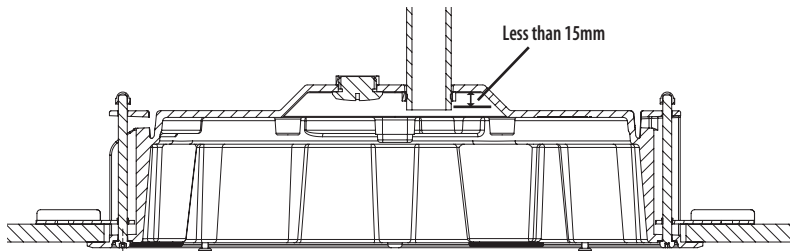
- ① Tighten the NUT ("N1") on the ANCHOR BOLT.
- ② Insert the provided SAFETY BRACKET into the ANCHOR BOLT.
- ③ Tighten two NUTS ("N2", "N3") onto the ANCHOR BOLT.
- ④ Hook and fix one end of the SAFETY WIRE onto the SAFETY BRACKET.
- ⑤ Hook and fix the other end of SAFETY WIRE onto the HOUSING as shown below:



- The ANCHOR BOLTS and nuts are optional and not included in the product package.
- ANCHOR BOLTS must be able to sustain the weight of at least 30 kg.
- If you proceed without following the instructions in the manual, that is if you work with the camera body already attached from the beginning, the safety wire could exceed its limit and be broken when the housing is accidentally dropped, which could result in an accident.

⑥ After fixing the SAFETY WIRE to the HOUSING, tighten the screw in the SAFETY RING to the end.

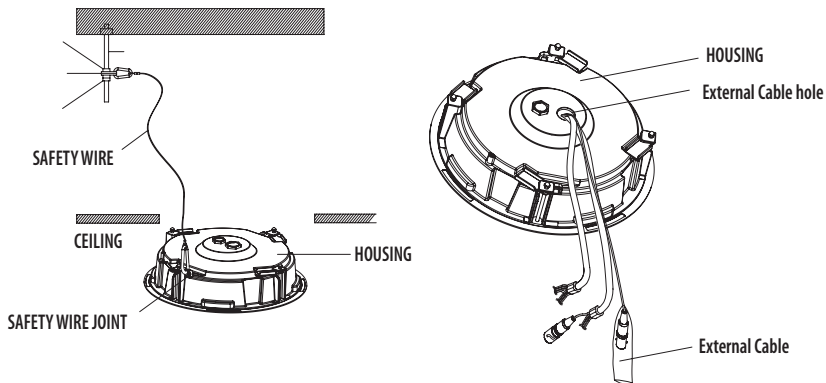
7. In the case that the pipe is to be connected to the External Cable hole, the pipe must be inserted within the depth of 15mm or less.



8. To connect to the camera, insert the external cable through the Cable hole on the housing to the inside of the housing as shown in the figure.



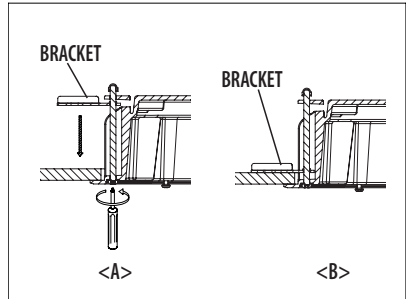
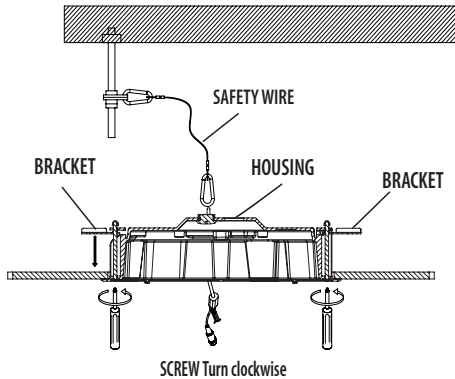
- Refer to the installation manual of the camera that you want to install, and prepare necessary cables for camera connection.



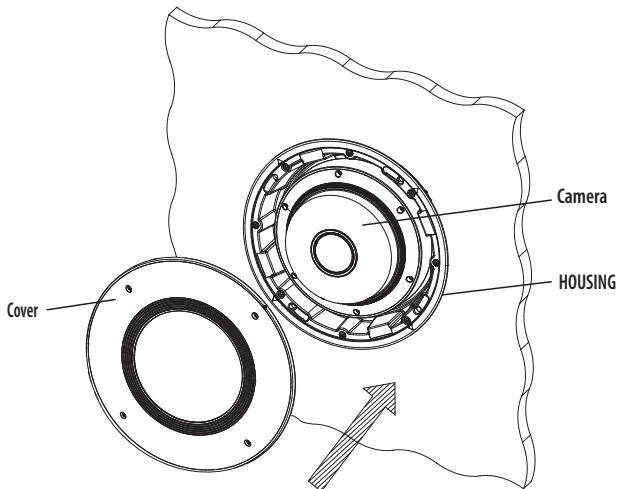
9. Push the HOUSING inside the CEILING through the CEILING hole, and tighten the SCREWS (x2) clockwise to fix the HOUSING on the CEILING.
(The BRACKET will be positioned from <A> to as shown.)



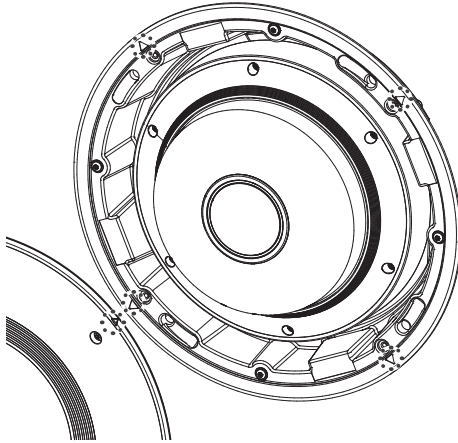
- Using a power tool for installation could cause product damage.
If you are going to use a power tool, the torque must be 30 Nm or less.
- Ensure that the HOUSING is firmly secured to the CEILING BOARD.



10. Follow the "INSTALLATION" section in the camera manual to mount the camera in the housing.



11. Align and attach the COVER to the HOUSING following the arrow, and tighten the four SCREWS on the COVER to fix it to the HOUSING.



Head Office

6, Pangyo-ro 319 beon-gil, Bundang-gu, Seongnam-si,
Gyeonggi-do, 463-400 Rep. of KOREA
Tel : +82.70.7147.8753 Fax : +82.31.8018.3740
www.hanwha-security.com

Hanwha Techwin America

500 Frank W. Burr Blvd. Suite 43 Teaneck, NJ 07666
Toll Free +1.877.213.1222 Direct +1.201.325.6920
Fax +1.201.373.0124
www.hanwha-security.com

Hanwha Techwin Europe

Heriot House, Heriot Road, Chertsey, Surrey, KT16 9DT, United Kingdom
Tel +44.1372.235663 Fax +44.1932.57.8101
www.hanwha-security.eu

Hanwha Techwin Vietnam Hanoi Office

28th Floor, Handico Building, Pham Hung Street, Me Tri ward,
Nam Tu Liem District, Hanoi City, Vietnam
Tel : +84.91.982.40.88
<http://hanwha-security.com>
